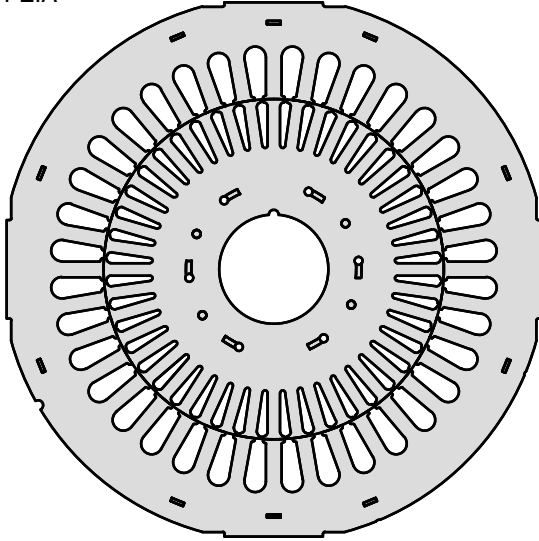


Induction Motor Core

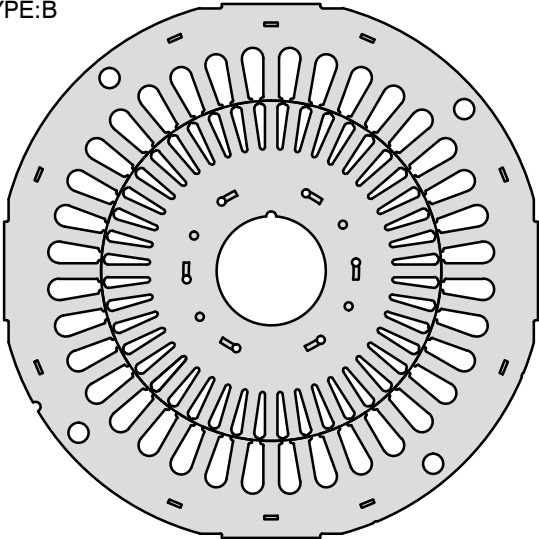
TYPE:A



Unit:mm

$\phi 160 \times \phi 100$			
STATOR		ROTOR	
O.DxI.D	SLOT	O.DxI.D	SLOT
160x100	36	100x25/27/30/32	44

TYPE:B



麗鋼工業股份有限公司
LEICONG INDUSTRIAL CO., LTD.