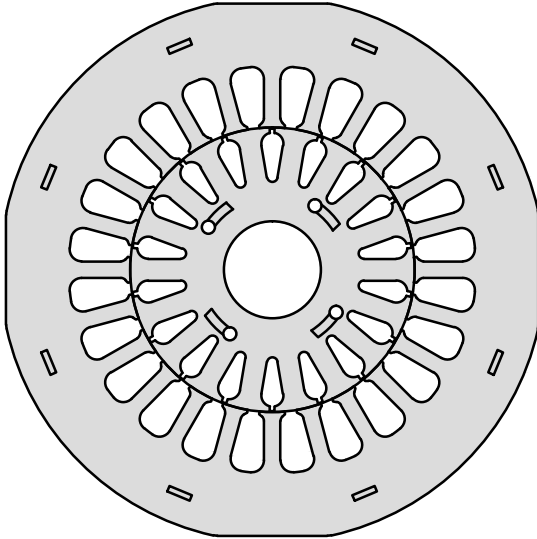


Induction Motor Core



Unit:mm

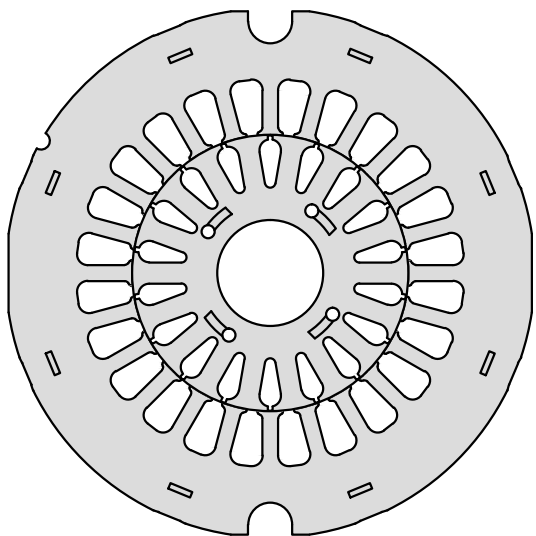
$\phi 90 \times \phi 47$			
STATOR		ROTOR	
O.DxI.D	SLOT	O.DxI.D	SLOT
90x47	24	47x16	18



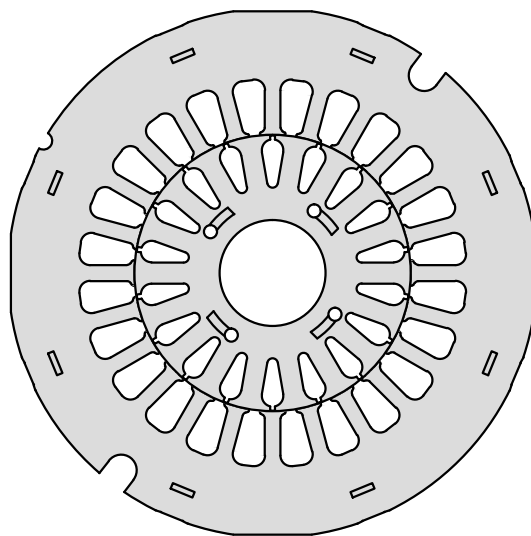
麗鋼工業股份有限公司
LEICONG INDUSTRIAL CO., LTD.

Induction Motor Core

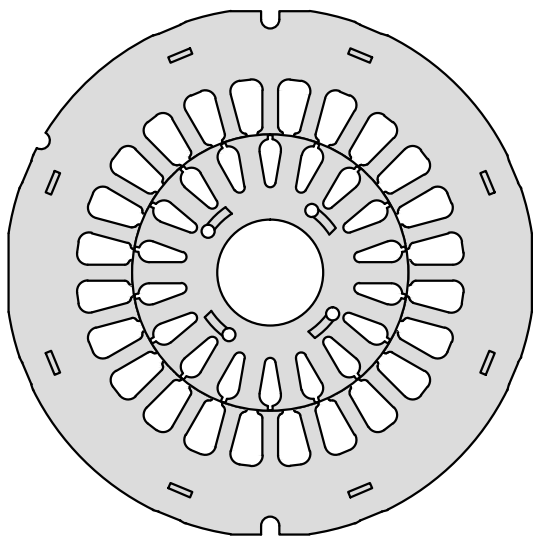
TYPE:CA(7.5)2H



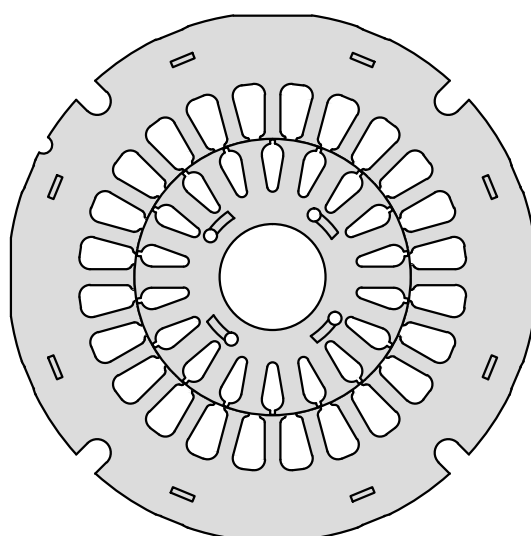
TYPE:CA(5.3)2H



TYPE:CA(3.1)2H



TYPE:CA(4.6)4H

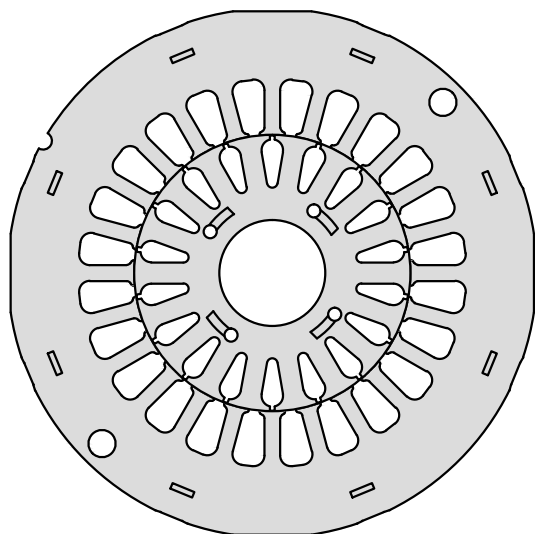


Unit:mm

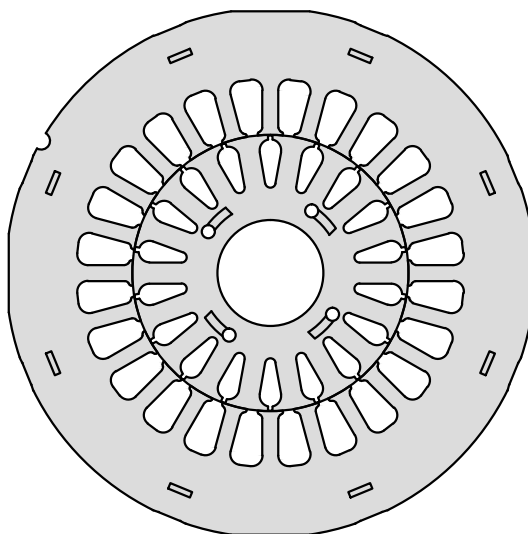
$\phi 90 \times \phi 47C$			
STATOR		ROTOR	
O.DxI.D	SLOT	O.DxI.D	SLOT
90x47	24	47x <small>8.05/10.05/11.55/12 12.05/14/15.98/17/18</small>	18

Induction Motor Core

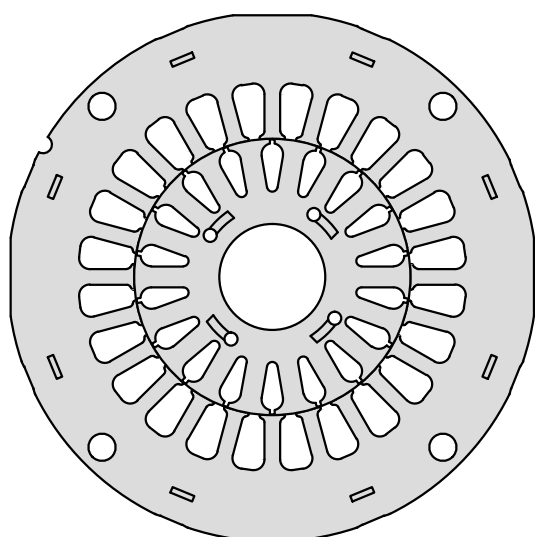
TYPE:CB(2H)



TYPE:CC



TYPE:CB(4H)



Unit:mm

$\phi 90 \times \phi 47C$			
STATOR		ROTOR	
O.DxI.D	SLOT	O.DxI.D	SLOT
90x47	24	47x <small>8.05/10.05/11.55/12 12.05/14/15.98/17/18</small>	18



麗鋼工業股份有限公司
LEICONG INDUSTRIAL CO., LTD.