

4

3

2

1

PART NO. SEE TABLE 1

REVISIONS			
LTR	DESCRIPTION	Drawing	DATE
B	RELEASE NEW PRODUCT	GARY	10/16/06
c	修改圖面與實物相符	GARY	02/27/07

# CUSTOMER DRAWING

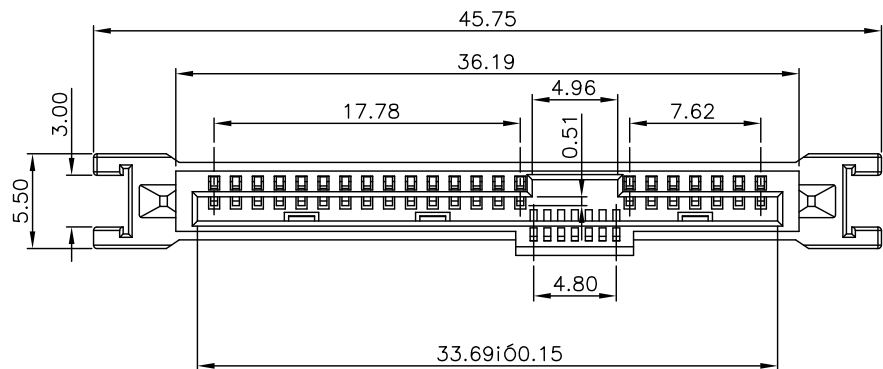
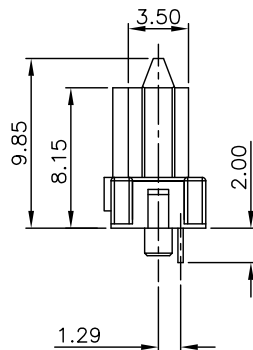
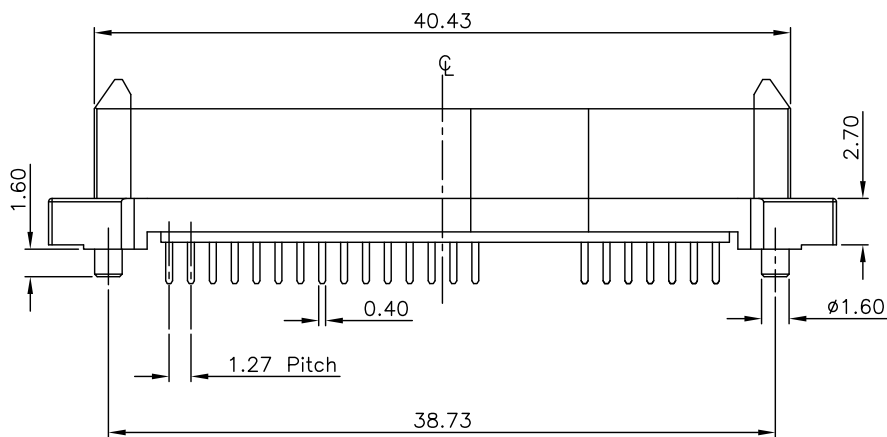


TABLE 1

020-01-00198	15 U" GOLD	PA BLACK
PART NO.	PLATED	COLOR FOR THE PLASTIC

NOTE:

- MATERIAL :  
HOUSING : High Temperature Thermoplastic ,  
UL94V-0, COLOR : BLACK  
TERMINAL: COPPER ALLOY, THICKNESS = 0.30 mm
- PLATING:  
CONTACT: GOLD OVER 50u" MIN NICKEL UNDERPLATE (SEE TABLE 1)  
SOLDER TAIL: 150u" MIN MISTY TIN 50u" MIN NICKEL UNDERPLATE  
GOLD SPECIFICATION: SEE TABLE
- ELECTRONICAL SPECIFICATION:  
CURRENT RATING: 1.5 AMPERE PER CONTACT  
CONTACT RESISTANCE: 30 MILLIOHMS MAX.  
INSULATION RESISTANCE: 1000 MEGOHMS MIN.  
DIELECTRIC WITHSTANDING VOLTAGE: 500 VAC.  
OPERATING TEMPERATURE: -20°C ~ +85°C
- MEETS THE REQUIREMENTS OF DIRECTIVE 2002/95/EC OF THE EUROPEAN PARLIAMENT AND OF THE COUNCIL OF 27 JANUARY 2003 ON THE RESTRICTION OF THE USE OF CERTAIN HAZARDOUS SUBSTANCES IN ELECTRICAL AND ELECTRONIC EQUIPMENT (ROHS)



DIMENSION ARE MILLIMETERS TOLERANCES ARE : DECIMALS .X ± 0.30 .XX ± 0.25 ANGLE: X ± 3°	APPROVALS		DATE	TITLE: ASSEMBLY OF SAS 29P Vertical (For cable)			
	DRAWN	GARY	02/27/07				
	CHECKED			SIZE SCALE : DRAWING NO. REV. mm 1 : 1 000377 C			
	APPROVALS			ID NO. XXXXXXXXXX SHEET 1 OF 1			

DESCRIPTION

QTY UNIT DO NOT SCALE DRAWING

4

3

2

1