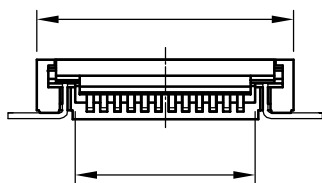
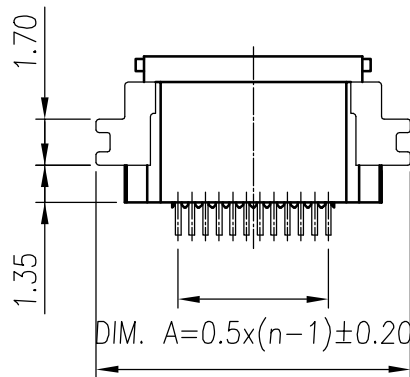


DIM. E=(A+2.5)±0.10

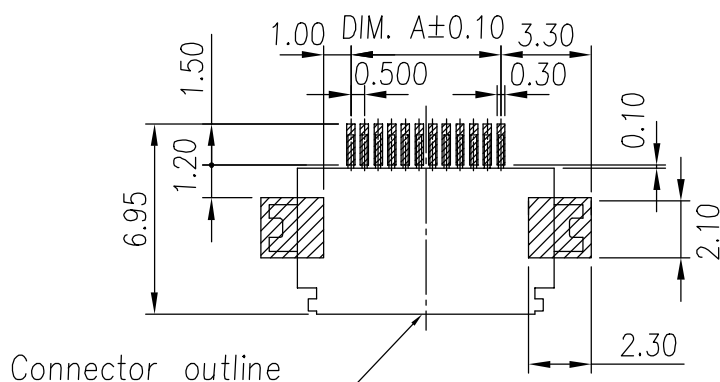
DIM. C=(A+3.9)±0.20



DIM. B=(A+1.1)±0.05

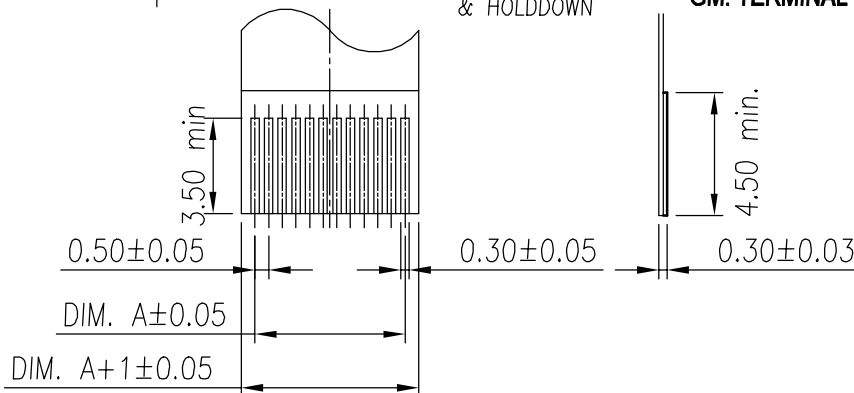
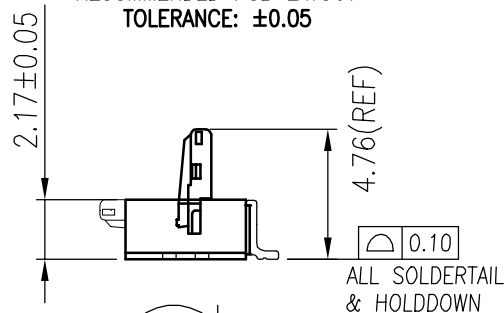


DIM. D=(A+6)±0.20



Connector outline

RECOMMENDED PCB LAYOUT
TOLERANCE: ±0.05



Applicable FPC/FFC
recommended dimension

NOTE:

MATERIAL:
HOUSING: HIGH TEMPERATURE THERMOPLASTIC.
COVER: HIGH TEMPERATURE THERMOPLASTIC.
CONTACT: COPPER ALLOY.
PLATING: TIN, LEAD FREE OR GOLD OVER NICKEL.
HOLDDOWN: COPPER ALLOY.
PLATING: TIN, LEAD FREE OVER NICKEL
PRODUCT SPECIFICATION: PS-FPC-04
PACKAGING SPECIFICATION: REEL: FP1204001

PART NO.

FP124 - XX 4 X 4
 Ⓐ Ⓑ

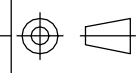
Ⓐ XX : NO. OF CONTACTS 04 - 80 PIN

Ⓑ X : PLATING

M : TERMINAL AND HOLDDOWN ALL TIN, LEAD FREE (MATTED)

GM : TERMINAL GOLD 1u", HOLDDOWN TIN, LEAD FREE (MATTED)

				TOLERANCE				TITLE: FFC/FPC 0.5 PITCH CONNECTOR, ZIF SMT TYPE, BODY HIGH 2.00 mm.			
				LINEAR	ANGLES			PART NO. FP124-XX4X4			
				X±0.30	X'±			DWG NO. FP1207001			
				.X±0.20	.X'±	APPD: Jason	MAT'L:				
C	09043	Willson	Nov,03,2009	.XX±0.15	.XX'±	CHKD: Schumi	FINISH:				
REV	ECN NO.	NAME	DATE	.XXX±0.08	.XXX'±	DRWN: Willson	Q'TY:				
								UNITS	SCALE	SHEET	REV
								MM	1 : 1	1 OF 2	C



Pin	Dimension					Pin	Dimension					Pin	Dimension					Pin	Dimension				
	A	B	C	D	E		A	B	C	D	E		A	B	C	D	E		A	B	C	D	E
4	1.50	2.60	5.40	7.50	4.00	24	11.50	12.60	15.40	17.50	14.00	44	21.50	22.60	25.40	27.50	24.00	64	31.50	32.60	35.40	37.50	34.00
5	2.00	3.10	5.90	8.00	4.50	25	12.00	13.10	15.90	18.00	14.50	45	22.00	23.10	25.90	28.00	24.50	65	32.00	33.10	35.90	38.00	34.50
6	2.50	3.60	6.40	8.50	5.00	26	12.50	13.60	16.40	18.50	15.00	46	22.50	23.60	26.40	28.50	25.00	66	32.50	33.60	36.40	38.50	35.00
7	3.00	4.10	6.90	9.00	5.50	27	13.00	14.10	16.90	19.00	15.50	47	23.00	24.10	26.90	29.00	25.50	67	33.00	34.10	36.90	39.00	35.50
8	3.50	4.60	7.40	9.50	6.00	28	13.50	14.60	17.40	19.50	16.00	48	23.50	24.60	27.40	29.50	26.00	68	33.50	34.60	37.40	39.50	36.00
9	4.00	5.10	7.90	10.00	6.50	29	14.00	15.10	17.90	20.00	16.50	49	24.00	25.10	27.90	30.00	26.50	69	34.00	35.10	37.90	40.00	36.50
10	4.50	5.60	8.40	10.50	7.00	30	14.50	15.60	18.40	20.50	17.00	50	24.50	25.60	28.40	30.50	27.00	70	34.50	35.60	38.40	40.50	37.00
11	5.00	6.10	8.90	11.00	7.50	31	15.00	16.10	18.90	21.00	17.50	51	25.00	26.10	28.90	31.00	27.50	71	35.00	36.10	38.90	41.00	37.50
12	5.50	6.60	9.40	11.50	8.00	32	15.50	16.60	19.40	21.50	18.00	52	25.50	26.60	29.40	31.50	28.00	72	35.50	36.60	39.40	41.50	38.00
13	6.00	7.10	9.90	12.00	8.50	33	16.00	17.10	19.90	22.00	18.50	53	26.00	27.10	29.90	32.00	28.50	73	36.00	37.10	39.90	42.00	38.50
14	6.50	7.60	10.40	12.50	9.00	34	16.50	17.60	20.40	22.50	19.00	54	26.50	27.60	30.40	32.50	29.00	74	36.50	37.60	40.40	42.50	39.00
15	7.00	8.10	10.90	13.00	9.50	35	17.00	18.10	20.90	23.00	19.50	55	27.00	28.10	30.90	33.00	29.50	75	37.00	38.10	40.90	43.00	39.50
16	7.50	8.60	11.40	13.50	10.00	36	17.50	18.60	21.40	23.50	20.00	56	27.50	28.60	31.40	33.50	30.00	76	37.50	38.60	41.40	43.50	40.00
17	8.00	9.10	11.90	14.00	10.50	37	18.00	19.10	21.90	24.00	20.50	57	28.00	29.10	31.90	34.00	30.50	77	38.00	39.10	41.90	44.00	40.50
18	8.50	9.60	12.40	14.50	11.00	38	18.50	19.60	22.40	24.50	21.00	58	28.50	29.60	32.40	34.50	31.00	78	38.50	39.60	42.40	44.50	41.00
19	9.00	10.10	12.90	15.00	11.50	39	19.00	20.10	22.90	25.00	21.50	59	29.00	30.10	32.90	35.00	31.50	79	39.00	40.10	42.90	45.00	41.50
20	9.50	10.60	13.40	15.50	12.00	40	19.50	20.60	23.40	25.50	22.00	60	29.50	30.60	33.40	35.50	32.00	80	39.50	40.60	43.40	45.50	42.00
21	10.00	11.10	13.90	16.00	12.50	41	20.00	21.10	23.90	26.00	22.50	61	30.00	31.10	33.90	36.00	32.50						
22	10.50	11.60	14.40	16.50	13.00	42	20.50	21.60	24.40	26.50	23.00	62	30.50	31.60	34.40	36.50	33.00						
23	11.00	12.10	14.90	17.00	13.50	43	21.00	22.10	24.90	27.00	23.50	63	31.00	32.10	34.90	37.00	33.50						

				TOLERANCE				TITLE: FFC/FPC 0.5 PITCH CONNECTOR , ZIF SMT TYPE , BODY HIGH 2.00 mm.						
				LINEAR	ANGLES			PART NO. FP124-XX4X4						
				X±0.30	X'±			DWG NO. FP1207001						
				.X±0.20	.X'±	APPD: Jason		MAT'L:						
				.XX±0.15	.XX'±	CHKD: Schumi		FINISH:						
REV	ECN NO.	NAME	DATE	.XXX±0.08	.XXX'±	DRWN: Willson		Q'TY:			UNITS	SCALE	SHEET	REV
										MM	1 : 1	2 OF 2	C	