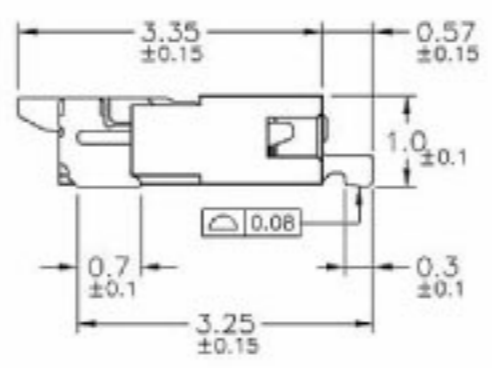
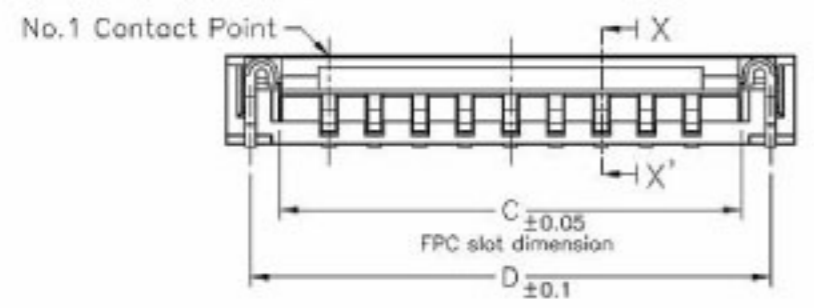
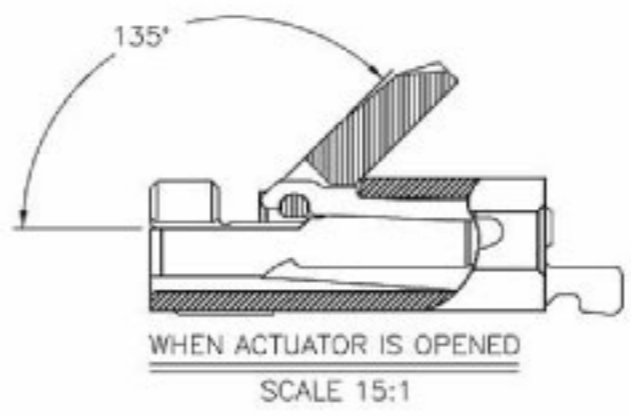
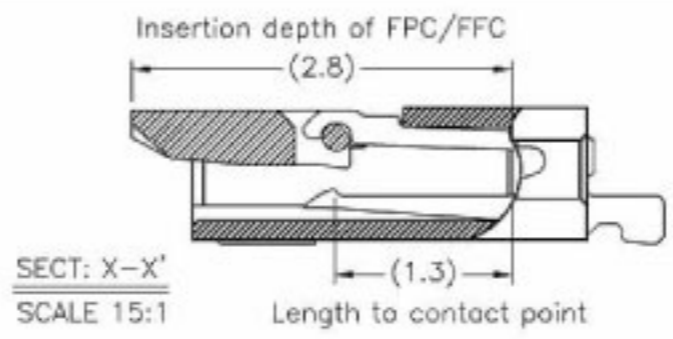
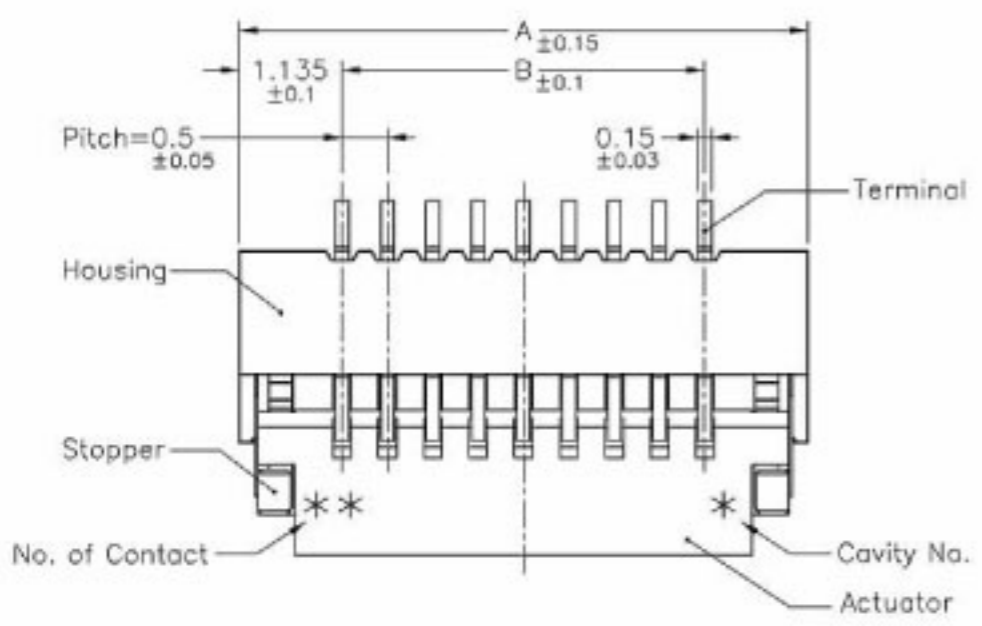


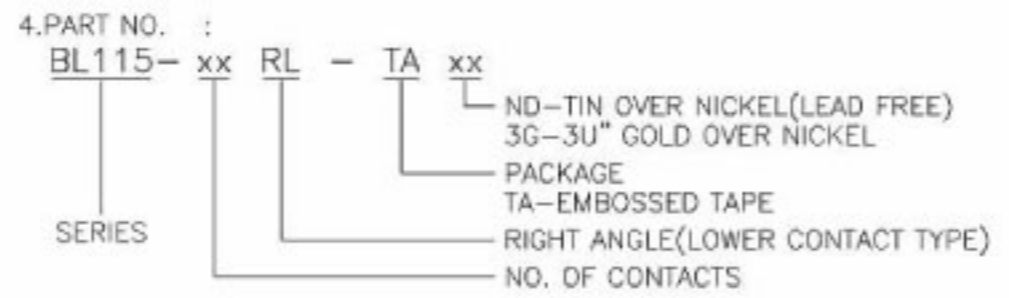
REV.	ECN NO.	DATE
A	RELEASED	2006.03.29



No. of Contacts	Catalog No.	DIM. A	DIM. B	DIM. C	DIM. D
4	BL115-04RL-TAxx	3.77	1.5	2.6	3.27
5	BL115-05RL-TAxx	4.27	2.0	3.1	3.77
6	BL115-06RL-TAxx	4.77	2.5	3.6	4.27
7	BL115-07RL-TAxx	5.27	3.0	4.1	4.77
8	BL115-08RL-TAxx	5.77	3.5	4.6	5.27
9	BL115-09RL-TAxx	6.27	4.0	5.1	5.77
10	BL115-10RL-TAxx	6.77	4.5	5.6	6.27
11	BL115-11RL-TAxx	7.27	5.0	6.1	6.77
12	BL115-12RL-TAxx	7.77	5.5	6.6	7.27
13	BL115-13RL-TAxx	8.27	6.0	7.1	7.77
14	BL115-14RL-TAxx	8.77	6.5	7.6	8.27
15	BL115-15RL-TAxx	9.27	7.0	8.1	8.77
16	BL115-16RL-TAxx	9.77	7.5	8.6	9.27
17	BL115-17RL-TAxx	10.27	8.0	9.1	9.77
18	BL115-18RL-TAxx	10.77	8.5	9.6	10.27
19	BL115-19RL-TAxx	11.27	9.0	10.1	10.77
20	BL115-20RL-TAxx	11.77	9.5	10.6	11.27
21	BL115-21RL-TAxx	12.27	10.0	11.1	11.77
22	BL115-22RL-TAxx	12.77	10.5	11.6	12.27
23	BL115-23RL-TAxx	13.27	11.0	12.1	12.77
24	BL115-24RL-TAxx	13.77	11.5	12.6	13.27
25	BL115-25RL-TAxx	14.27	12.0	13.1	13.77
26	BL115-26RL-TAxx	14.77	12.5	13.6	14.27
27	BL115-27RL-TAxx	15.27	13.0	14.1	14.77
28	BL115-28RL-TAxx	15.77	13.5	14.6	15.27
29	BL115-29RL-TAxx	16.27	14.0	15.1	15.77
30	BL115-30RL-TAxx	16.77	14.5	15.6	16.27
31	BL115-31RL-TAxx	17.27	15.0	16.1	16.77
32	BL115-32RL-TAxx	17.77	15.5	16.6	17.27
33	BL115-33RL-TAxx	18.27	16.0	17.1	17.77
34	BL115-34RL-TAxx	18.77	16.5	17.6	18.27
35	BL115-35RL-TAxx	19.27	17.0	18.1	18.77
36	BL115-36RL-TAxx	19.77	17.5	18.6	19.27
37	BL115-37RL-TAxx	20.27	18.0	19.1	19.77
38	BL115-38RL-TAxx	20.77	18.5	19.6	20.27
39	BL115-39RL-TAxx	21.27	19.0	20.1	20.77
40	BL115-40RL-TAxx	21.77	19.5	20.6	21.27
41	BL115-41RL-TAxx	22.27	20.0	21.1	21.77
42	BL115-42RL-TAxx	22.77	20.5	21.6	22.27
43	BL115-43RL-TAxx	23.27	21.0	22.1	22.77
44	BL115-44RL-TAxx	23.77	21.5	22.6	23.27
45	BL115-45RL-TAxx	24.27	22.0	23.1	23.77
46	BL115-46RL-TAxx	24.77	22.5	23.6	24.27
47	BL115-47RL-TAxx	25.27	23.0	24.1	24.77
48	BL115-48RL-TAxx	25.77	23.5	24.6	25.27
49	BL115-49RL-TAxx	26.27	24.0	25.1	25.77
50	BL115-50RL-TAxx	26.77	24.5	25.6	26.27

**NOTE:**

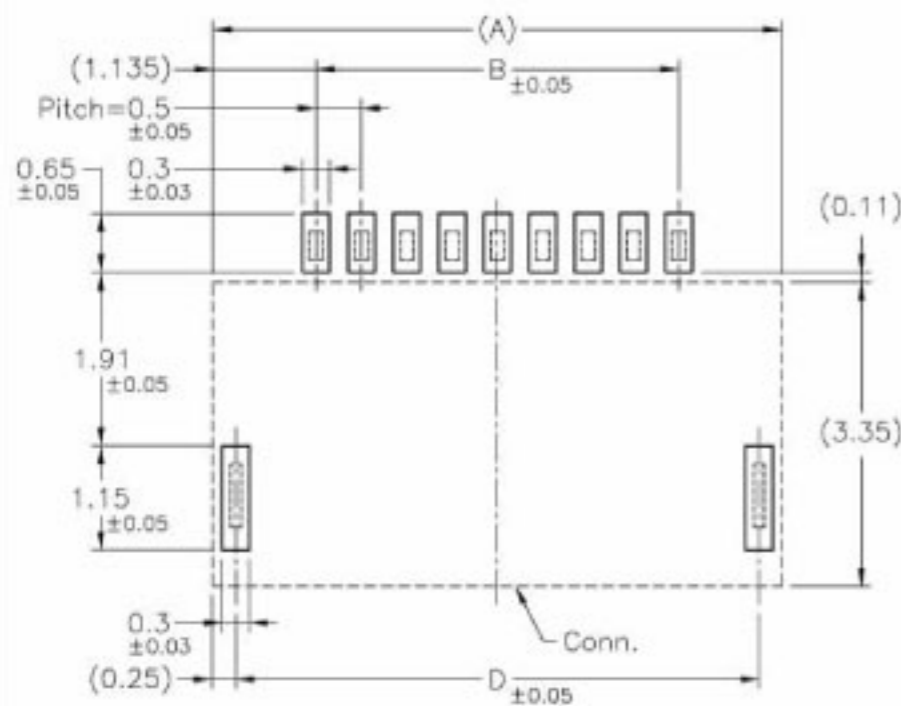
- MATERIAL:**  
HOUSING:LCP(UL 94V-0)  
ACTUATOR:NY9T(UL 94V-0)  
TERMINAL:PHOSPHOR BRONZE  
STOPPER:PHOSPHOR BRONZE
- PLATING:**  
TERMINAL:SEE ORDERING INFORMATION  
STOPPER:TIN OVER NICKEL(LEAD FREE)
- RATING:**  
OPERATING VOLTAGE:50V  
CURRENT RATING:0.4A  
OPERATING TEMPERATURE:-55°C ~ +85°C



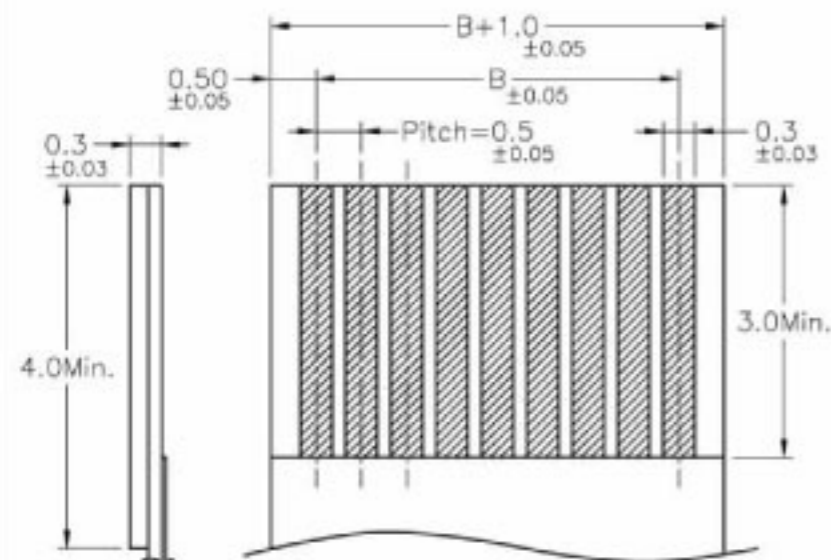
TOLERANCE UNLESS SPECIFIED		SHEET 1/3	DR. BY Bonnie LI	MATERIAL See Note 1
LINEAR	ANGLE	SCALE 10/1	CHK. BY S.T.LIN	FINISH See Note 2
.X	.X	UNIT mm	APP. BY S.T.LIN	PART NO. See Note 4
.XX	.X			
.XXX	.XX			

TITLE 0.5mm Pitch FPC Conn. E/O (H=1.0)  
 DWG NO. C1/BOOK/BOOK/BL115/HP

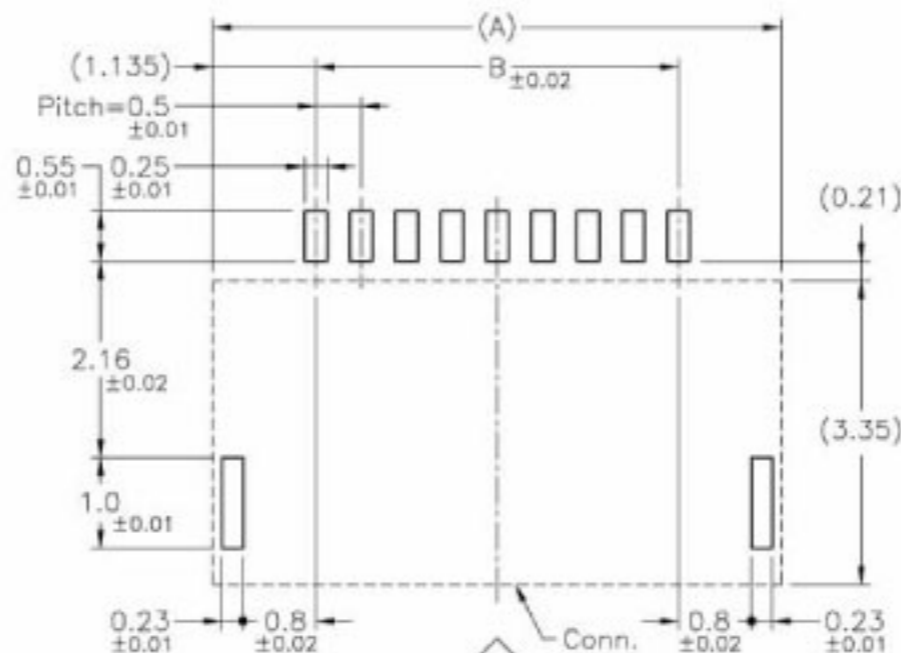
REV.	ECN NO.	DATE
A	RELEASED	2006.03.29



FPC/FFC INSERT DIRECTION  
PCB Layout



Applicable FPC



FPC/FFC INSERT DIRECTION  
Recommended metal mask pattern

No. of Contacts	Catalog No.	DIM. A	DIM. B	DIM. D
4	BL115-04RL-TAxx	3.77	1.5	3.27
5	BL115-05RL-TAxx	4.27	2.0	3.77
6	BL115-06RL-TAxx	4.77	2.5	4.27
7	BL115-07RL-TAxx	5.27	3.0	4.77
8	BL115-08RL-TAxx	5.77	3.5	5.27
9	BL115-09RL-TAxx	6.27	4.0	5.77
10	BL115-10RL-TAxx	6.77	4.5	6.27
11	BL115-11RL-TAxx	7.27	5.0	6.77
12	BL115-12RL-TAxx	7.77	5.5	7.27
13	BL115-13RL-TAxx	8.27	6.0	7.77
14	BL115-14RL-TAxx	8.77	6.5	8.27
15	BL115-15RL-TAxx	9.27	7.0	8.77
16	BL115-16RL-TAxx	9.77	7.5	9.27
17	BL115-17RL-TAxx	10.27	8.0	9.77
18	BL115-18RL-TAxx	10.77	8.5	10.27
19	BL115-19RL-TAxx	11.27	9.0	10.77
20	BL115-20RL-TAxx	11.77	9.5	11.27
21	BL115-21RL-TAxx	12.27	10.0	11.77
22	BL115-22RL-TAxx	12.77	10.5	12.27
23	BL115-23RL-TAxx	13.27	11.0	12.77
24	BL115-24RL-TAxx	13.77	11.5	13.27
25	BL115-25RL-TAxx	14.27	12.0	13.77
26	BL115-26RL-TAxx	14.77	12.5	14.27
27	BL115-27RL-TAxx	15.27	13.0	14.77
28	BL115-28RL-TAxx	15.77	13.5	15.27
29	BL115-29RL-TAxx	16.27	14.0	15.77
30	BL115-30RL-TAxx	16.77	14.5	16.27
31	BL115-31RL-TAxx	17.27	15.0	16.77
32	BL115-32RL-TAxx	17.77	15.5	17.27
33	BL115-33RL-TAxx	18.27	16.0	17.77
34	BL115-34RL-TAxx	18.77	16.5	18.27
35	BL115-35RL-TAxx	19.27	17.0	18.77
36	BL115-36RL-TAxx	19.77	17.5	19.27
37	BL115-37RL-TAxx	20.27	18.0	19.77
38	BL115-38RL-TAxx	20.77	18.5	20.27
39	BL115-39RL-TAxx	21.27	19.0	20.77
40	BL115-40RL-TAxx	21.77	19.5	21.27
41	BL115-41RL-TAxx	22.27	20.0	21.77
42	BL115-42RL-TAxx	22.77	20.5	22.27
43	BL115-43RL-TAxx	23.27	21.0	22.77
44	BL115-44RL-TAxx	23.77	21.5	23.27
45	BL115-45RL-TAxx	24.27	22.0	23.77
46	BL115-46RL-TAxx	24.77	22.5	24.27
47	BL115-47RL-TAxx	25.27	23.0	24.77
48	BL115-48RL-TAxx	25.77	23.5	25.27
49	BL115-49RL-TAxx	26.27	24.0	25.77
50	BL115-50RL-TAxx	26.77	24.5	26.27

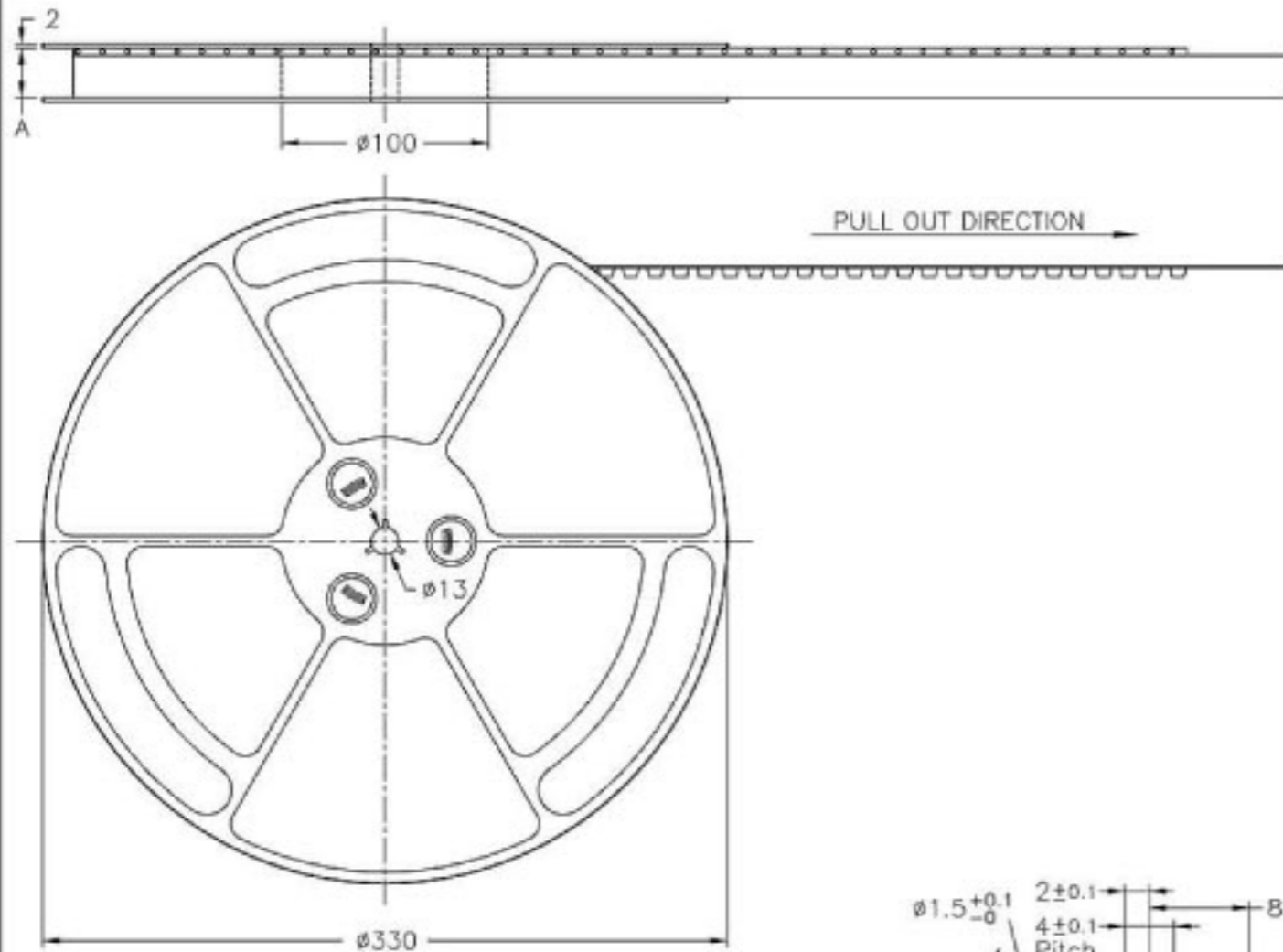
TOLERANCE UNLESS SPECIFIED		SHEET 2/3	DR. BY Bonnie LI	MATERIAL
LINEAR	ANGLE	SCALE 10/1	CHK. BY S.T.LIN	FINISH
.X	.X'	UNIT mm	APP. BY S.T.LIN	PART NO.
.XX	.X'			
.XXX	.XX			



TITLE 0.5mm Pitch FPC Conn. E/O (H=1.0)  
DWG NO. C1/BOOK/BOOK/BL115/HP

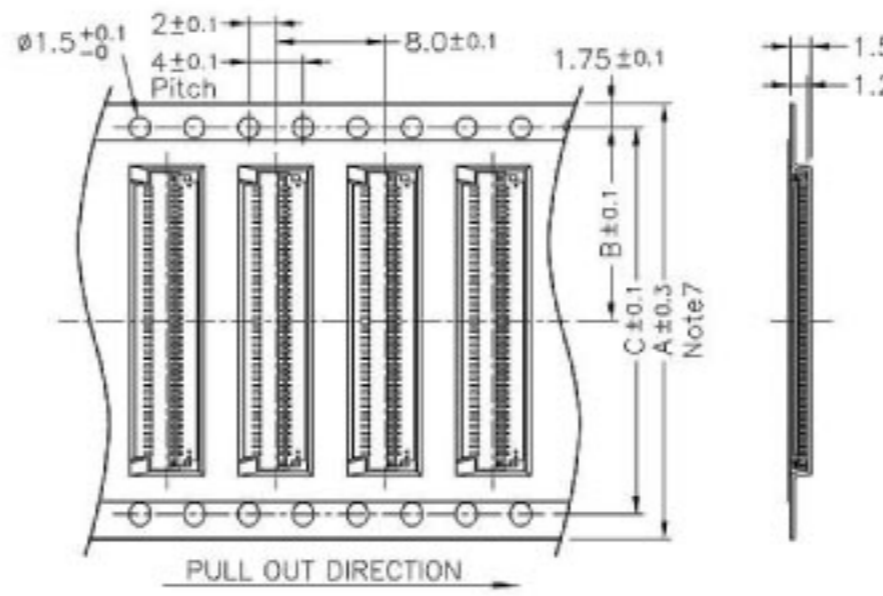
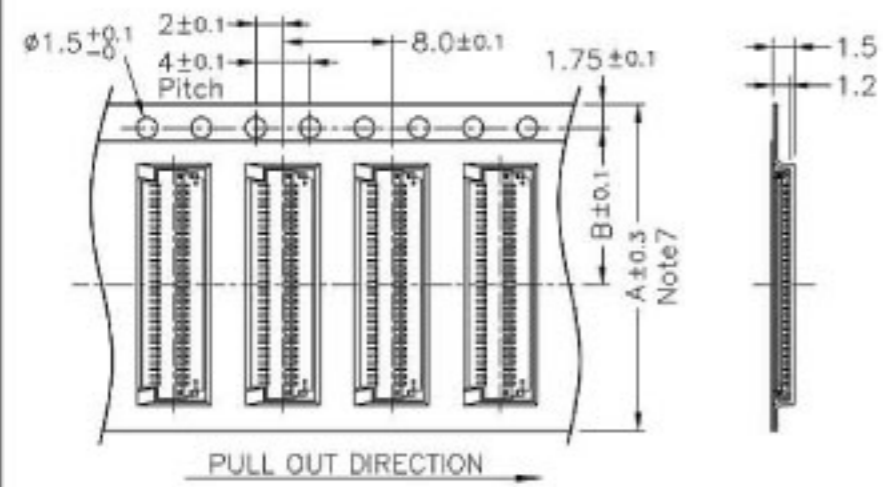
# EMBOSSED TAPE PACKING BL115 SERIES RIGHT ANGLE TYPE

REV.	ECN NO.	DATE
A	RELEASED	2006.02.07



**Note:**

1. 10 sprocket hole pitch cumulative tolerance  $\pm 0.2$ .
2. Carrier camber is within 1 mm in 250mm.
3. Material : Black Conductive Polystyrene Alloy.
4. All dimensions meet EIA-481-C requirements.
5. Thickness :  $0.3 \pm 0.05$ mm.
6. Component load per 13" reel : 5000pcs.
7. For tape width (dimension A) 12/16 and 24mm a pilot hole is provided on one side.  
For tape width (dimension A) 32mm and 44mm pilot holes are provided on both sides.



Note 7

No. of Contacts	Part Number	DIM. A	DIM. B	DIM. C
4	BL115-04RL-TAxx	12	5.5	—
↓	↓			
8	BL115-08RL-TAxx			
9	BL115-09RL-TAxx	16	7.5	—
↓	↓			
14	BL115-14RL-TAxx			
15	BL115-15RL-TAxx	24	11.5	—
↓	↓			
30	BL115-30RL-TAxx			
31	BL115-31RL-TAxx	32	14.2	28.4
↓	↓			
40	BL115-40RL-TAxx			
41	BL115-41RL-TAxx	44	20.2	40.4
↓	↓			
50	BL115-50RL-TAxx			

TOLERANCE UNLESS SPECIFIED		SHEET 3/3	DR. BY Bonnie LI	MATERIAL
LINEAR	ANGLE	SCALE 1.5/1	CHK. BY S.T.LIN	FINISH
.X	.X	UNIT mm	APP. BY S.T.LIN	PART NO.
.XX	.X			
.XXX	.XX			



TITLE 0.5mm Pitch FPC Conn. E/O (H=1.0)  
 DWG NO. C1/BOOK/BOOK/BL115/HP