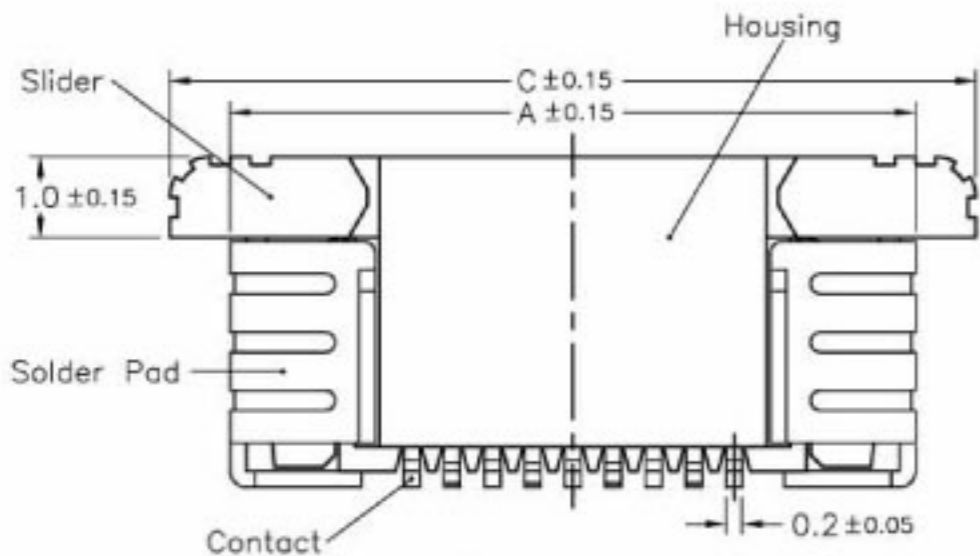
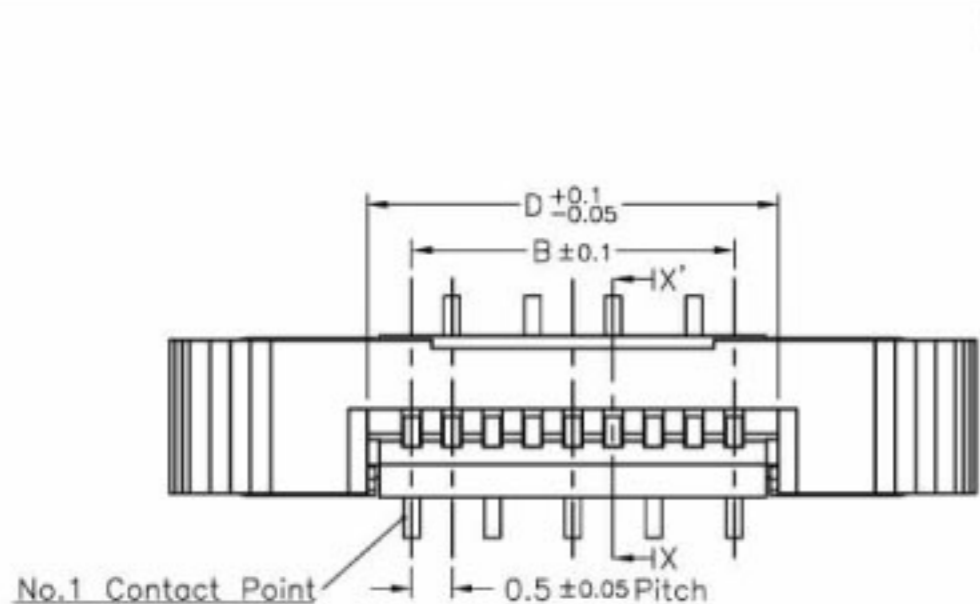
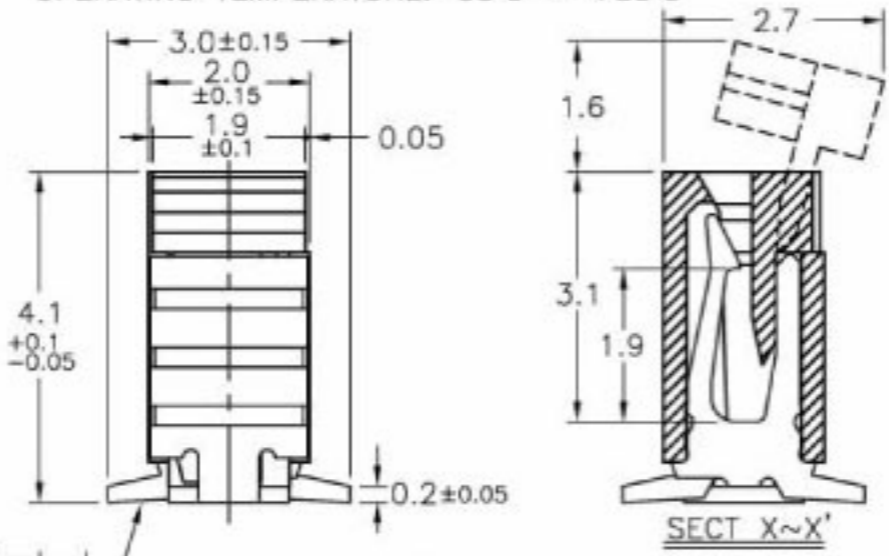


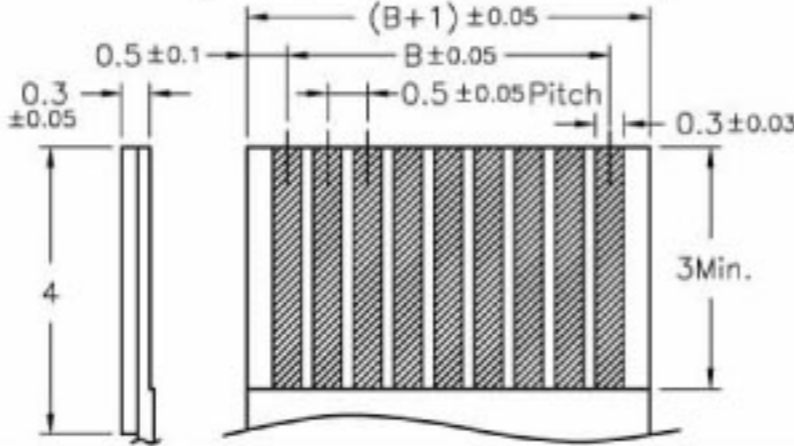
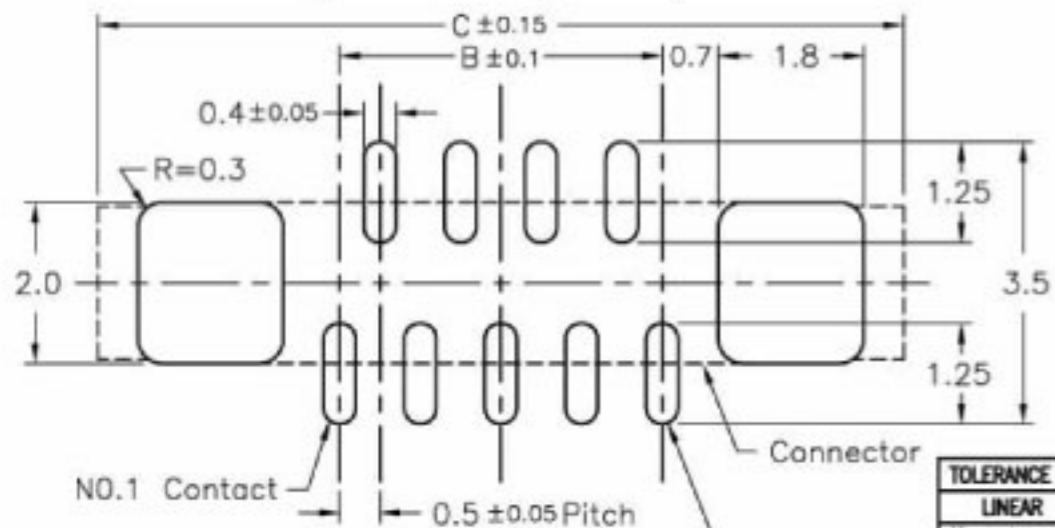
REV.	ECN NO.	DATE
A	RELEASED	9/10/2003
B	405002	5/14/2004
C	502001	2/25/2005
D	603001	3/2/2006



**PCB Layout**



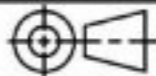
**Applicable FPC**



TOLERANCE UNLESS SPECIFIED		REV.	D	DR. BY	MATERIAL
LINEAR	ANGLE	SHEET	3/7	Bonnie Li	See Note 1.
.X ±0.2	X°	SCALE	8/1	S.T.Lin	FINISH See Note 2.
.XX ±0.15		UNIT	mm	S.T.Lin	DATE 3/2/2006
.XXX ±0.05					PART NO. See Note 3.

REV.	D	DR. BY	Bonnie Li	MATERIAL	See Note 1.
		CHK. BY	S.T.Lin	FINISH	See Note 2.
		APP. BY	S.T.Lin	DATE	3/2/2006
				PART NO.	See Note 3.

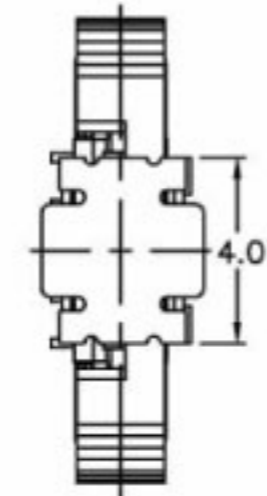
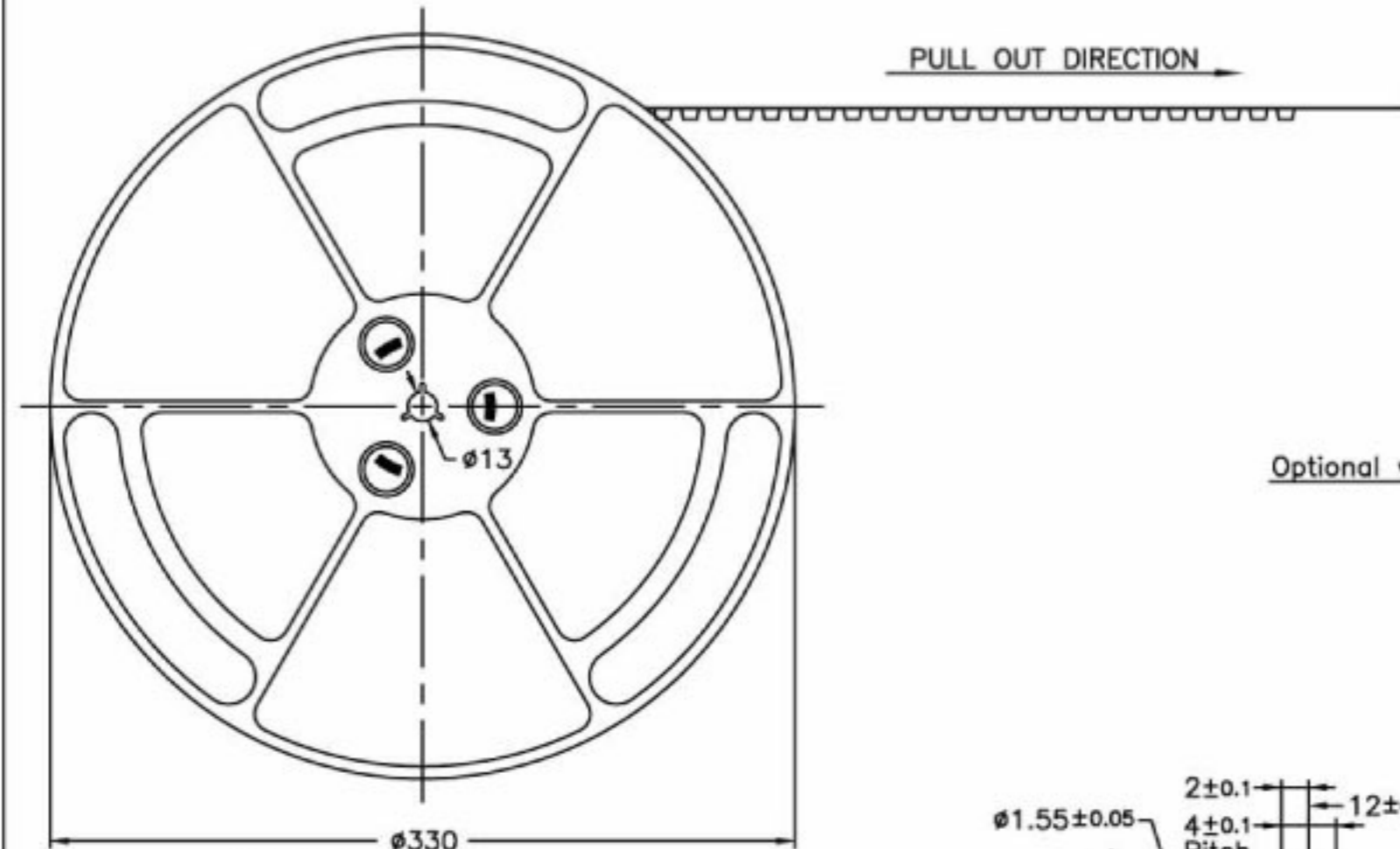
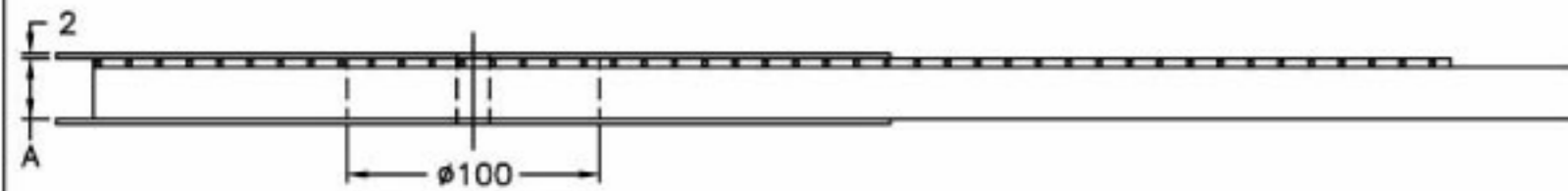
No.of Contacts	Part Number	DIM. A	DIM. B	DIM. C	DIM. D
4	BL112-4S	6	1.5	7.5	2.6
5	BL112-5S	6.5	2	8	3.1
6	BL112-6S	7	2.5	8.5	3.6
7	BL112-7S	7.5	3	9	4.1
8	BL112-8S	8	3.5	9.5	4.6
9	BL112-9S	8.5	4	10	5.1
10	BL112-10S	9	4.5	10.5	5.6
11	BL112-11S	9.5	5	11	6.1
12	BL112-12S	10	5.5	11.5	6.6
13	BL112-13S	10.5	6	12	7.1
14	BL112-14S	11	6.5	12.5	7.6
15	BL112-15S	11.5	7	13	8.1
16	BL112-16S	12	7.5	13.5	8.6
17	BL112-17S	12.5	8	14	9.1
18	BL112-18S	13	8.5	14.5	9.6
19	BL112-19S	13.5	9	15	10.1
20	BL112-20S	14	9.5	15.5	10.6
21	BL112-21S	14.5	10	16	11.1
22	BL112-22S	15	10.5	16.5	11.6
23	BL112-23S	15.5	11	17	12.1
24	BL112-24S	16	11.5	17.5	12.6
25	BL112-25S	16.5	12	18	13.1
26	BL112-26S	17	12.5	18.5	13.6
27	BL112-27S	17.5	13	19	14.1
28	BL112-28S	18	13.5	19.5	14.6
29	BL112-29S	18.5	14	20	15.1
30	BL112-30S	19	14.5	20.5	15.6
31	BL112-31S	19.5	15	21	16.1
32	BL112-32S	20	15.5	21.5	16.6
33	BL112-33S	20.5	16	22	17.1
34	BL112-34S	21	16.5	22.5	17.6
35	BL112-35S	21.5	17	23	18.1
36	BL112-36S	22	17.5	23.5	18.6
37	BL112-37S	22.5	18	24	19.1
38	BL112-38S	23	18.5	24.5	19.6
39	BL112-39S	23.5	19	25	20.1
40	BL112-40S	24	19.5	25.5	20.6
41	BL112-41S	24.5	20	26	21.1
42	BL112-42S	25	20.5	26.5	21.6
43	BL112-43S	25.5	21	27	22.1
44	BL112-44S	26	21.5	27.5	22.6
45	BL112-45S	26.5	22	28	23.1
46	BL112-46S	27	22.5	28.5	23.6
47	BL112-47S	27.5	23	29	24.1
48	BL112-48S	28	23.5	29.5	24.6
49	BL112-49S	28.5	24	30	25.1
50	BL112-50S	29	24.5	30.5	25.6



TITLE 0.5mm Pitch FPC/FFC Connector  
 DWG NO. D\BOOK\BOOK\BL112\HP

# EMBOSSED TAPE PACKING BL112 SERIES S TYPE

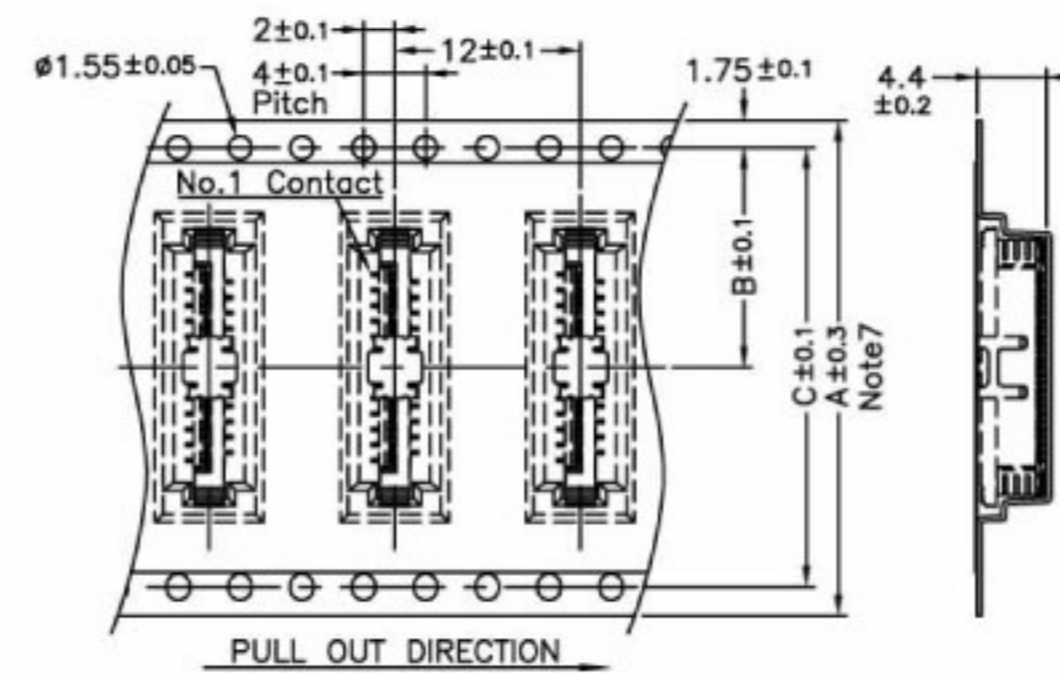
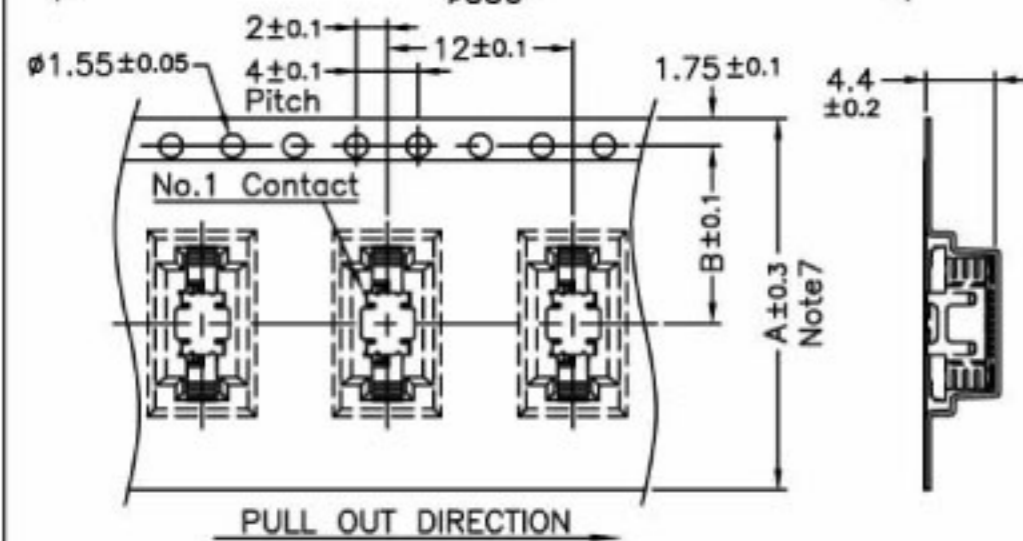
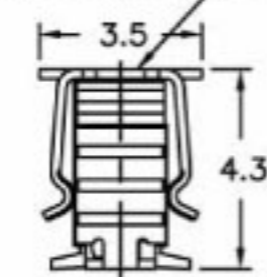
REV.	ECN NO.	DATE
A	RELEASED	10/9/2003



**Note:**

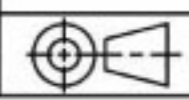
- 1.10 sprocket hole pitch cumulative tolerance  $\pm 0.2$ .
2. Carrier camber is within 1 mm in 100mm.
3. Material : Black Conductive Polystyrene Alloy 100% recyclable.
4. All dimensions meet EIA-481-3 requirements.
5. Thickness :  $0.3 \pm 0.05$ mm
6. Component load per 13" reel : 1000 pcs.
7. For tape width (dimension A) 24mm a pilot hole is provided on one side.  
For tape width (dimension A) 32mm and 44mm pilot holes are provided on both sides.

Optional vacuum cap for robotic placement



No. of Contacts	Part Number	DIM. A Note7	DIM. B	DIM. C
4	BL112-4S	24	11.5	—
23	BL112-23S			
24	BL112-24S	32	14.2	28.4
33	BL112-33S			
34	BL112-34S	44	20.2	40.4
50	BL112-50S			

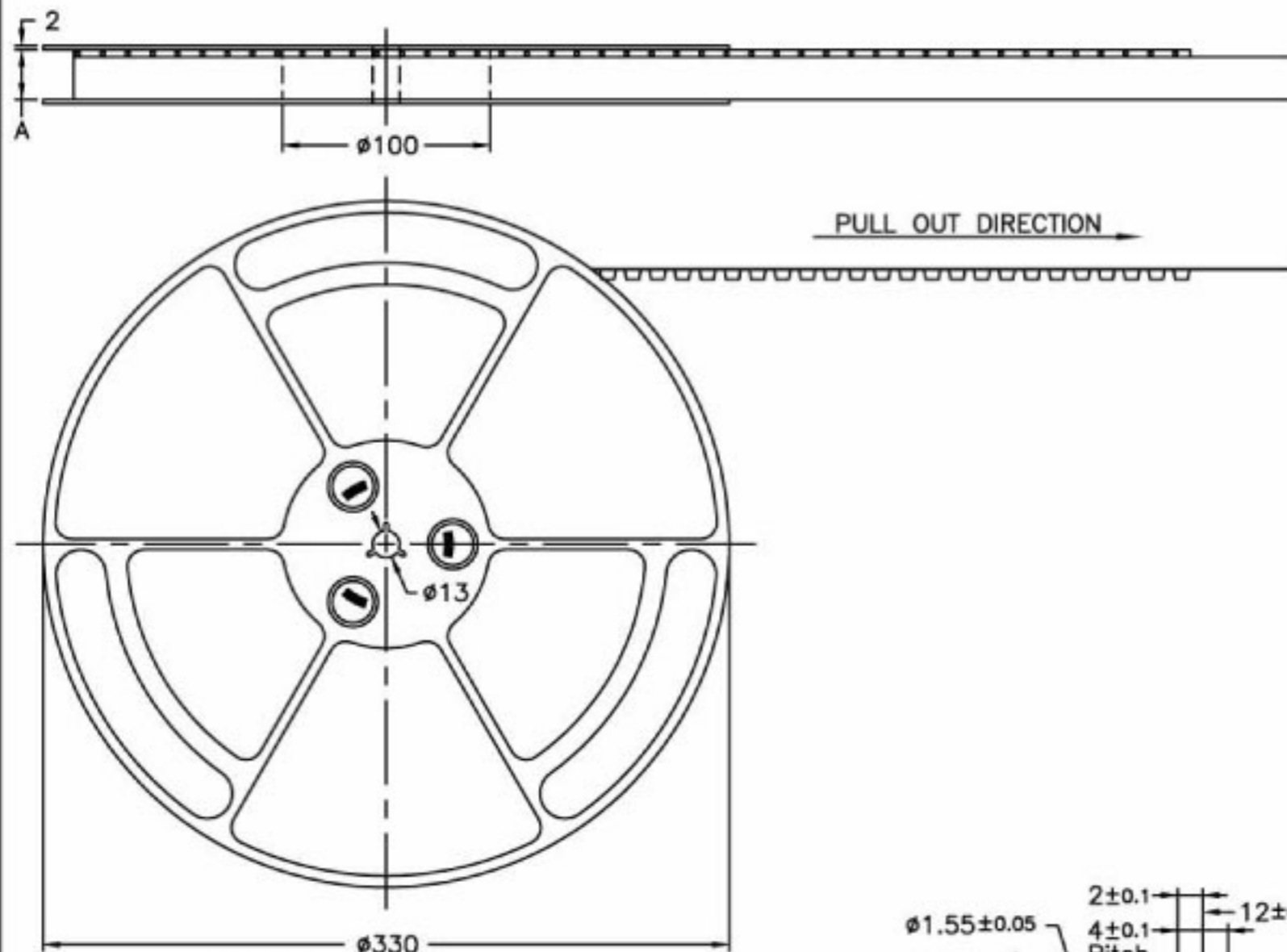
TOLERANCE UNLESS SPECIFIED		REV.	A	DR. BY	Bonnie Li	MATERIAL	See Note3
LINEAR	ANGLE	SHEET	5/7	CHK. BY	S.T.Lin	FINISH	
.XX	.X	SCALE		APP. BY	S.T.Lin	DATE	10/9/2003
.XXX		UNIT	mm			PART NO.	BL112-xxS



TITLE 0.5mm Pitch FPC/FFC Connector  
 DWG NO. D:\BOOK\BOOK\BL112\HP

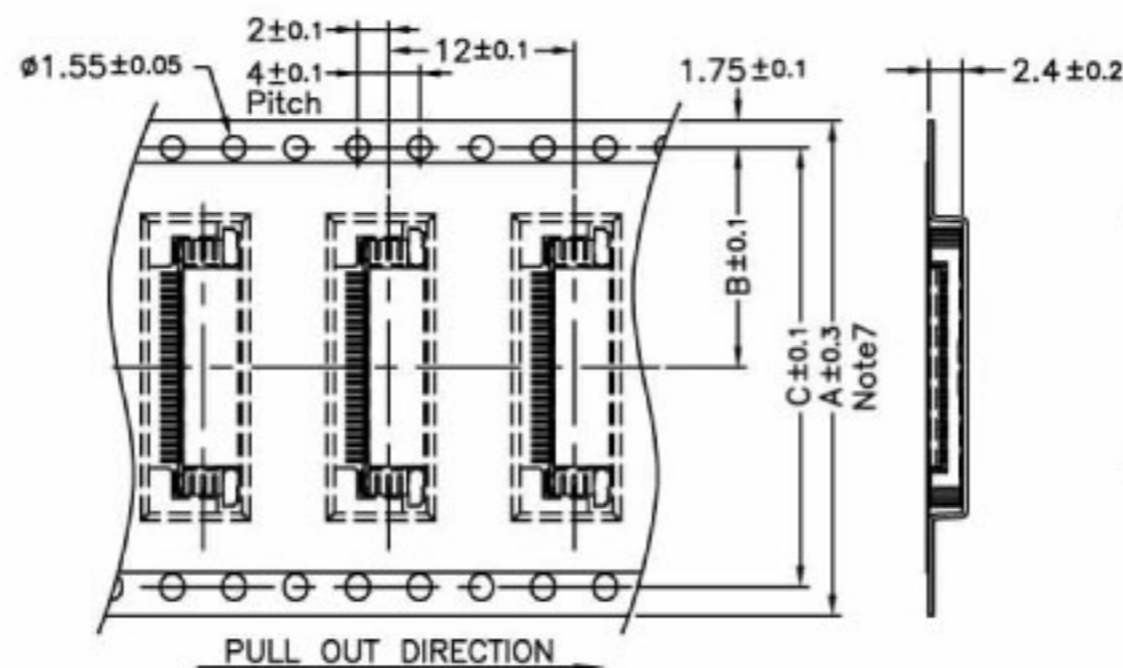
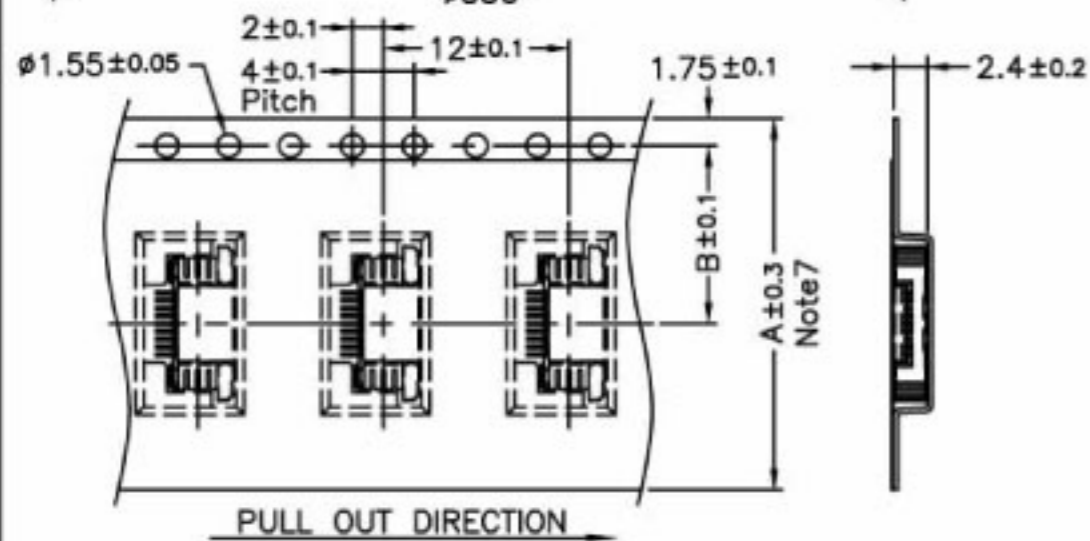
# EMBOSSED TAPE PACKING BL112 SERIES RIGHT ANGLE TYPE

REV.	ECN NO.	DATE
A	RELEASED	10/9/2003



**Note:**

1. 10 sprocket hole pitch cumulative tolerance  $\pm 0.2$ .
2. Carrier camber is within 1 mm in 100mm.
3. Material : Black Conductive Polystyrene Alloy 100% recyclable.
4. All dimensions meet EIA-481-3 requirements.
5. Thickness :  $0.3 \pm 0.05$ mm
6. Component load per 13" reel : 2000 pcs.
7. For tape width (dimension A) 24mm a pilot hole is provided on one side.  
For tape width (dimension A) 32mm and 44mm pilot holes are provided on both sides.



No. of Contacts	Part Number	DIM. A Note7	DIM. B	DIM. C
4	BL112-4RU BL112-4RL	24	11.5	—
23	BL112-23RU BL112-23RL			
24	BL112-24RU BL112-24RL	32	14.2	28.4
33	BL112-33RU BL112-33RL			
34	BL112-34RU BL112-34RL	44	20.2	40.4
50	BL112-50RU BL112-50RL			

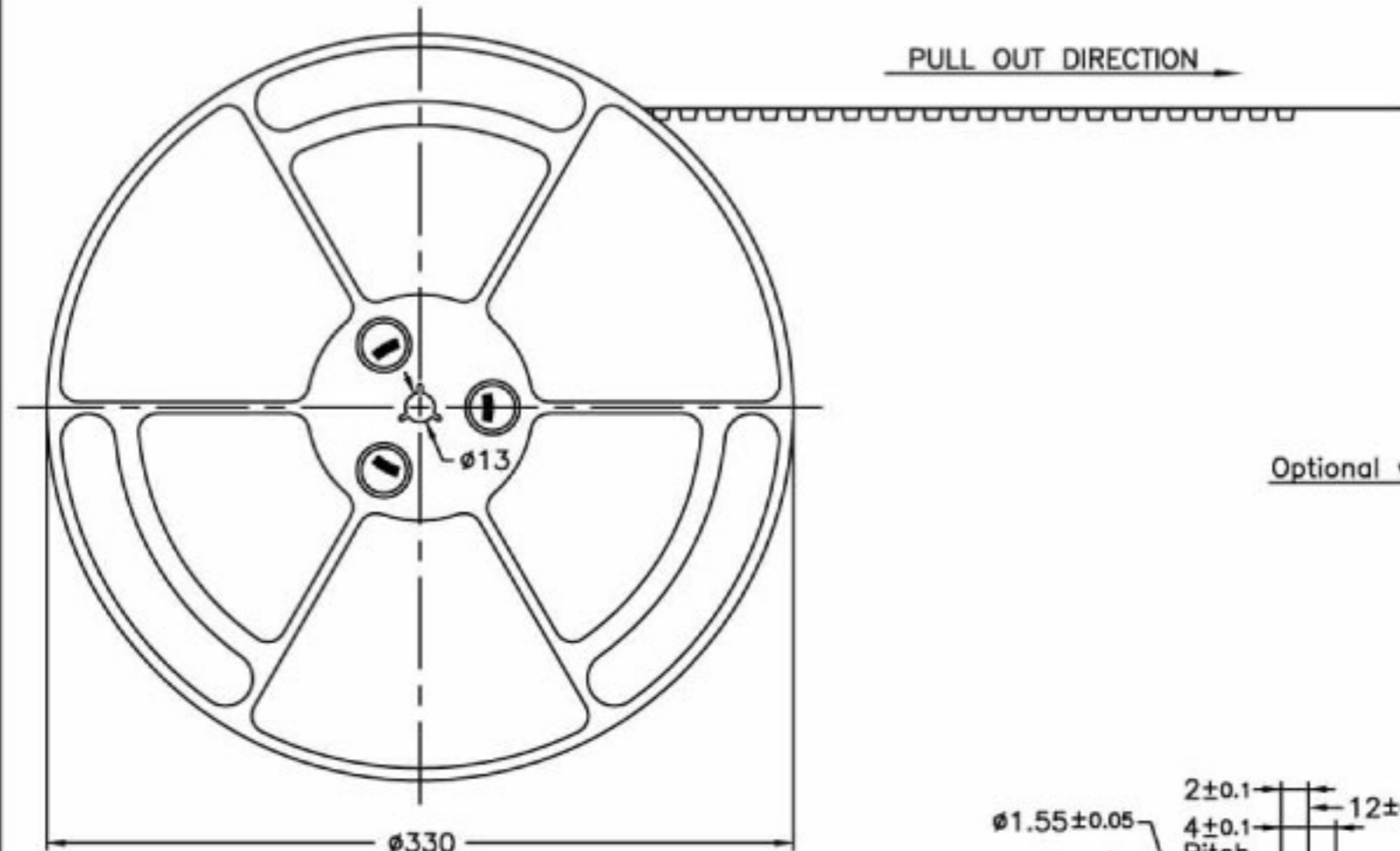
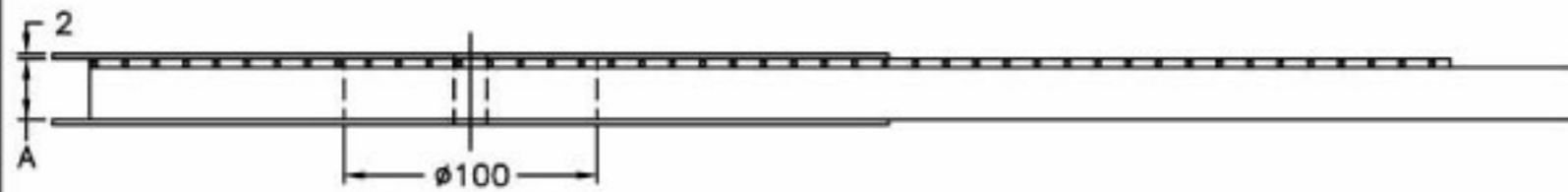
TOLERANCE UNLESS SPECIFIED		REV.	A	DR. BY	Bonnie Li	MATERIAL	See Note3
LINEAR	ANGLE	SHEET	6/7	CHK. BY	S.T.Lin	FINISH	
.XX	.X	SCALE		APP. BY	S.T.Lin	DATE	10/9/2003
.XXX		UNIT	mm			PART NO.	BL112-xxRU&RL



TITLE 0.5mm Pitch FPC/FFC Connector  
 DWG NO. D:\BOOK\BOOK\BL112\HP

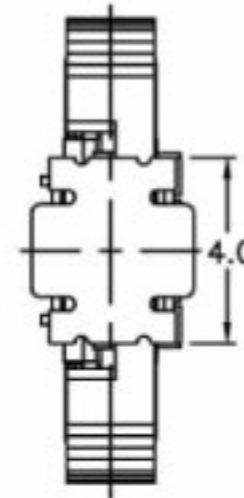
# EMBOSSED TAPE PACKING BL112 SERIES SX TYPE

REV.	ECN NO.	DATE
A	RELEASED	10/9/2003

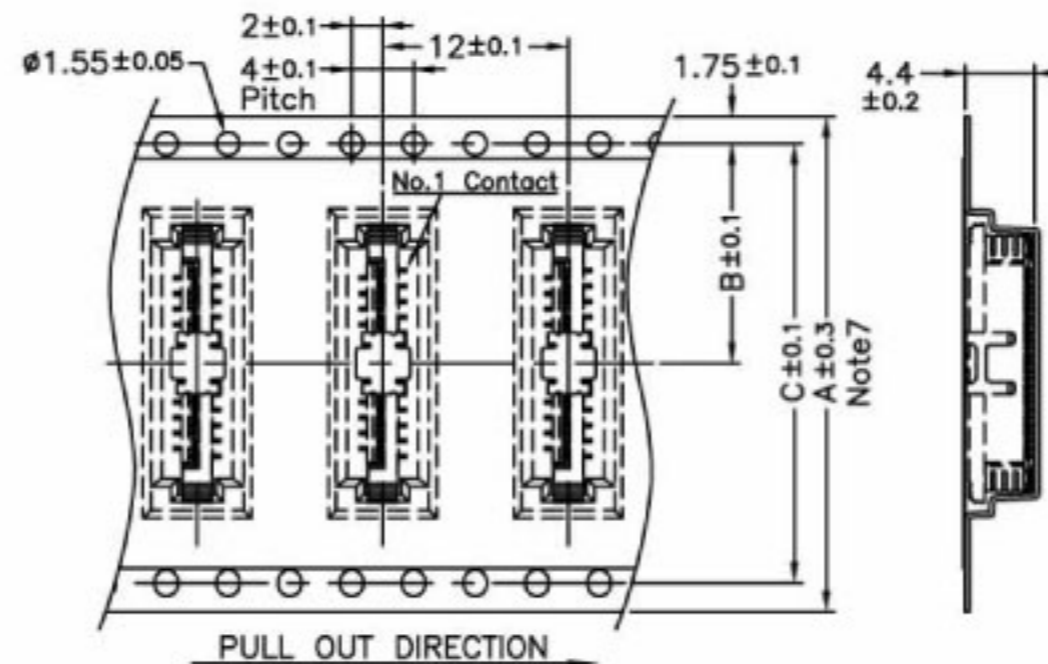
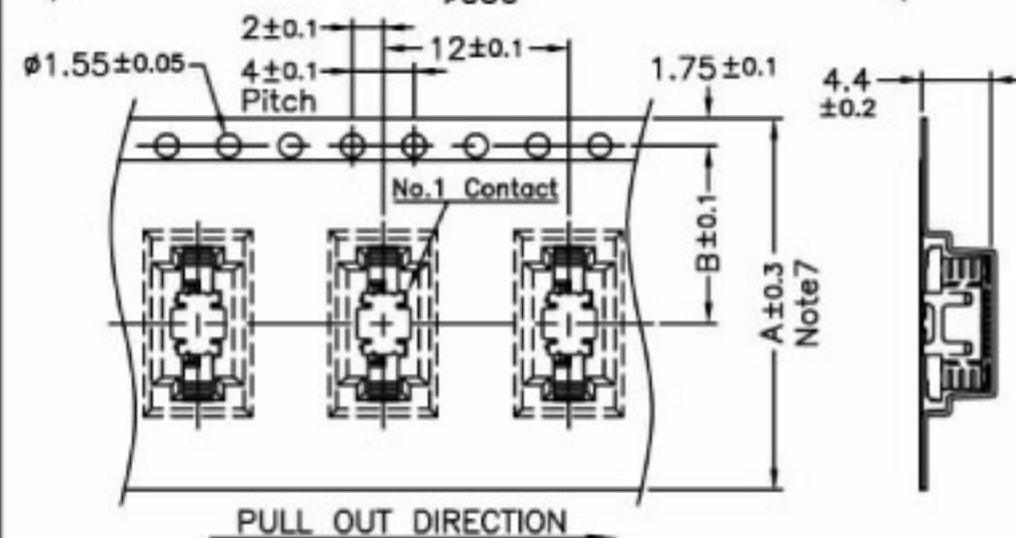
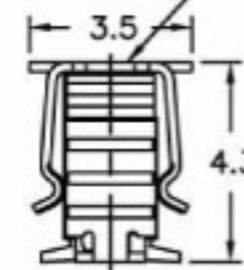


**Note:**

- 1.10 sprocket hole pitch cumulative tolerance  $\pm 0.2$ .
2. Carrier camber is within 1 mm in 100mm.
3. Material : Black Conductive Polystyrene Alloy 100% recyclable.
4. All dimensions meet EIA-481-3 requirements.
5. Thickness :  $0.3 \pm 0.05$ mm
6. Component load per 13" reel : 1000 pcs.
7. For tape width (dimension A) 24mm a pilot hole is provided on one side.  
For tape width (dimension A) 32mm and 44mm pilot holes are provided on both sides.



Optional vacuum cap for robotic placement



No. of Contacts	Part Number	DIM. A Note 7	DIM. B	DIM. C
4	BL112-4SX	24	11.5	—
23	BL112-23SX			
24	BL112-24SX	32	14.2	28.4
33	BL112-33SX			
34	BL112-34SX	44	20.2	40.4
50	BL112-50SX			

TOLERANCE UNLESS SPECIFIED		REV.	A	DR. BY	Bonnie Li	MATERIAL	See Note 3
LINEAR	ANGLE	SHEET	7/7	CHK. BY	S.T.Lin	FINISH	
.XX	.X	SCALE		APP. BY	S.T.Lin	DATE	10/9/2003
.XXX		UNIT	mm			PART NO.	BL112-xxSX



TITLE 0.5mm Pitch FPC/FFC Connector  
 DWG NO. D:\BOOK\BOOK\BL112\HP