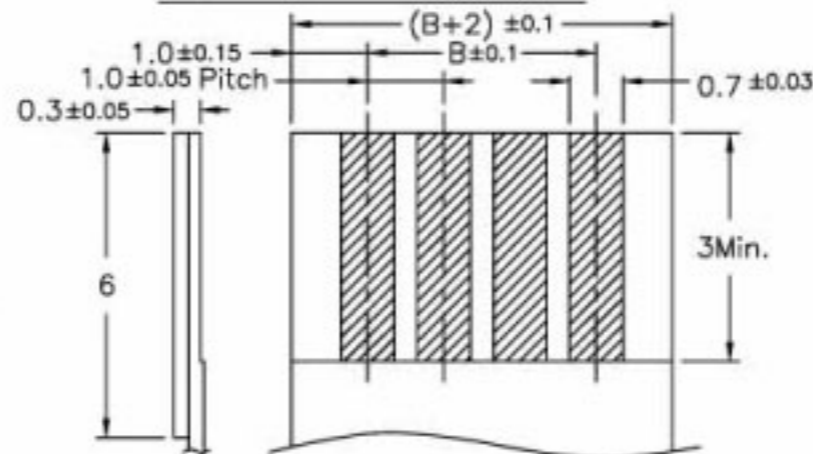
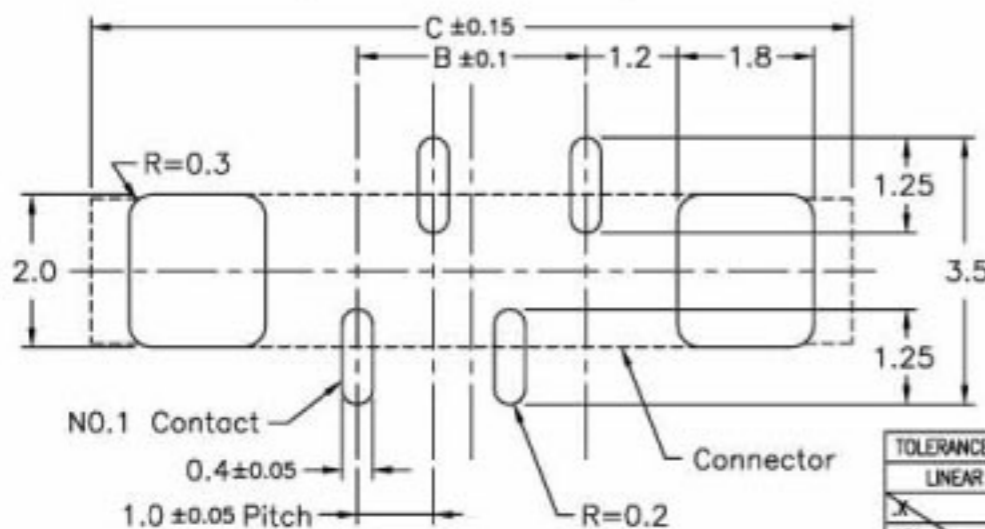
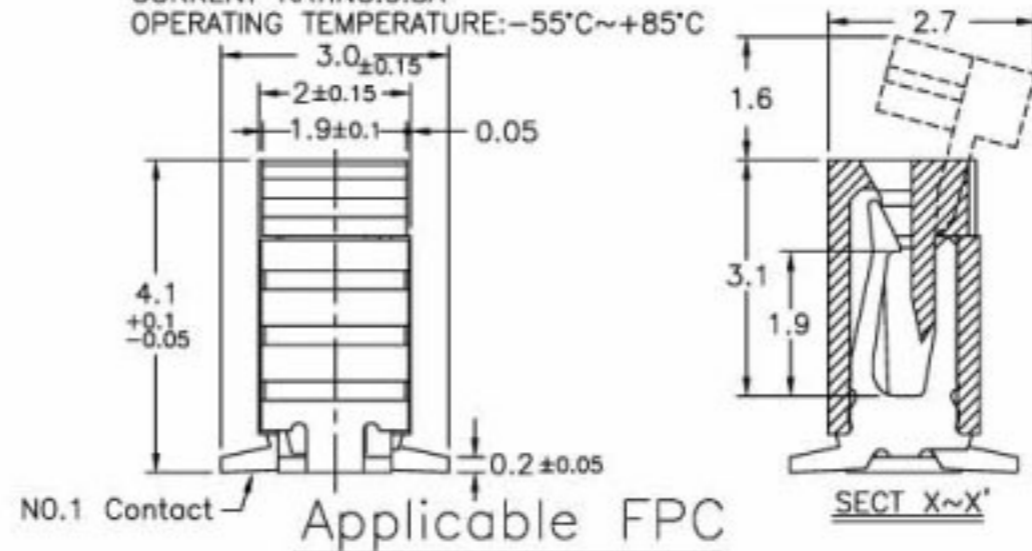
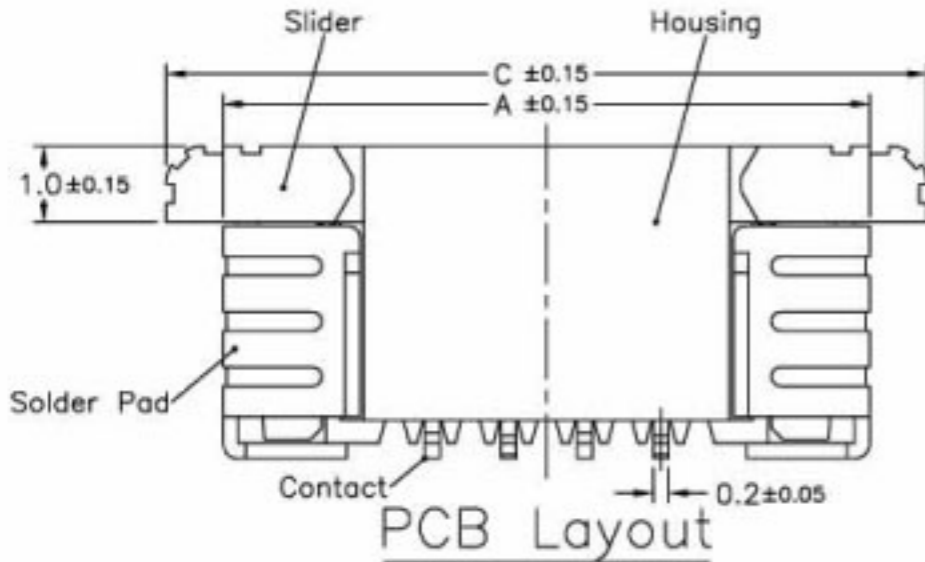
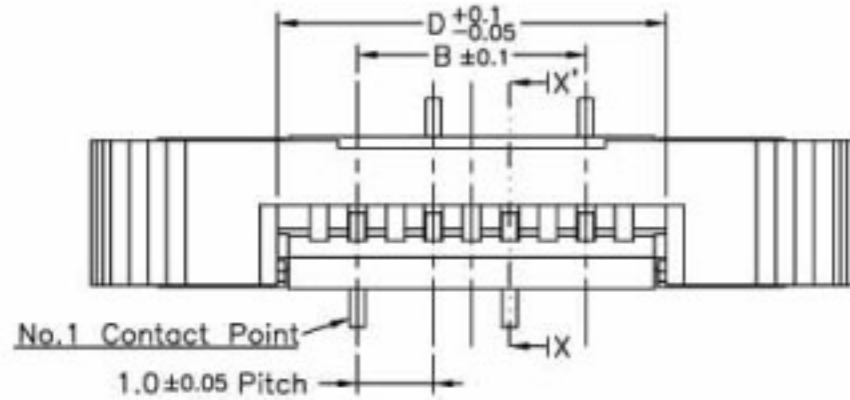


REV.	ECN NO.	DATE
A	RELEASED	8/5/'98
B	904006	4/15/'99
C	001001	1/4/2001
D	110015	10/15/'01
E	405004	05/26/'04
F	411008	11/04/'04
G	412001	12/31/'04

NOTE:

- MATERIAL:**
HOUSING:THERMOPLASTIC
SLIDER:THERMOPLASTIC
CONTACTS:COPPER ALLOY
SOLDER PAD:COPPER ALLOY
- PLATING:**
CONTACTS:SEE ORDERING INFORMATION
SOLDER PAD:SEE ORDERING INFORMATION
- PART NO.:**
BL113-xx S-xx xx
 - 00-TIN/LEAD OVER NICKEL
 - ND-TIN OVER NICKEL(LEAD FREE)
 - 1G-1U" GOLD OVER NICKEL
 - 3G-3U" GOLD OVER NICKEL
- RATING:**
OPERATING VOLTAGE:50V
CURRENT RATING:0.5A
OPERATING TEMPERATURE:-55°C~+85°C



No.of Contacts	Part Number	DIM. A	DIM. B	DIM. C	DIM. D
4	BL113-04S	8.5	3	10	5.1
5	BL113-05S	9.5	4	11	6.1
6	BL113-06S	10.5	5	12	7.1
7	BL113-07S	11.5	6	13	8.1
8	BL113-08S	12.5	7	14	9.1
9	BL113-09S	13.5	8	15	10.1
10	BL113-10S	14.5	9	16	11.1
11	BL113-11S	15.5	10	17	12.1
12	BL113-12S	16.5	11	18	13.1
13	BL113-13S	17.5	12	19	14.1
14	BL113-14S	18.5	13	20	15.1
15	BL113-15S	19.5	14	21	16.1
16	BL113-16S	20.5	15	22	17.1
17	BL113-17S	21.5	16	23	18.1
18	BL113-18S	22.5	17	24	19.1
19	BL113-19S	23.5	18	25	20.1
20	BL113-20S	24.5	19	26	21.1
21	BL113-21S	25.5	20	27	22.1
22	BL113-22S	26.5	21	28	23.1
23	BL113-23S	27.5	22	29	24.1
24	BL113-24S	28.5	23	30	25.1

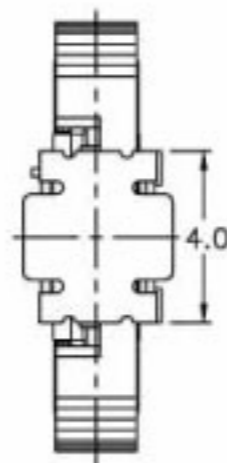
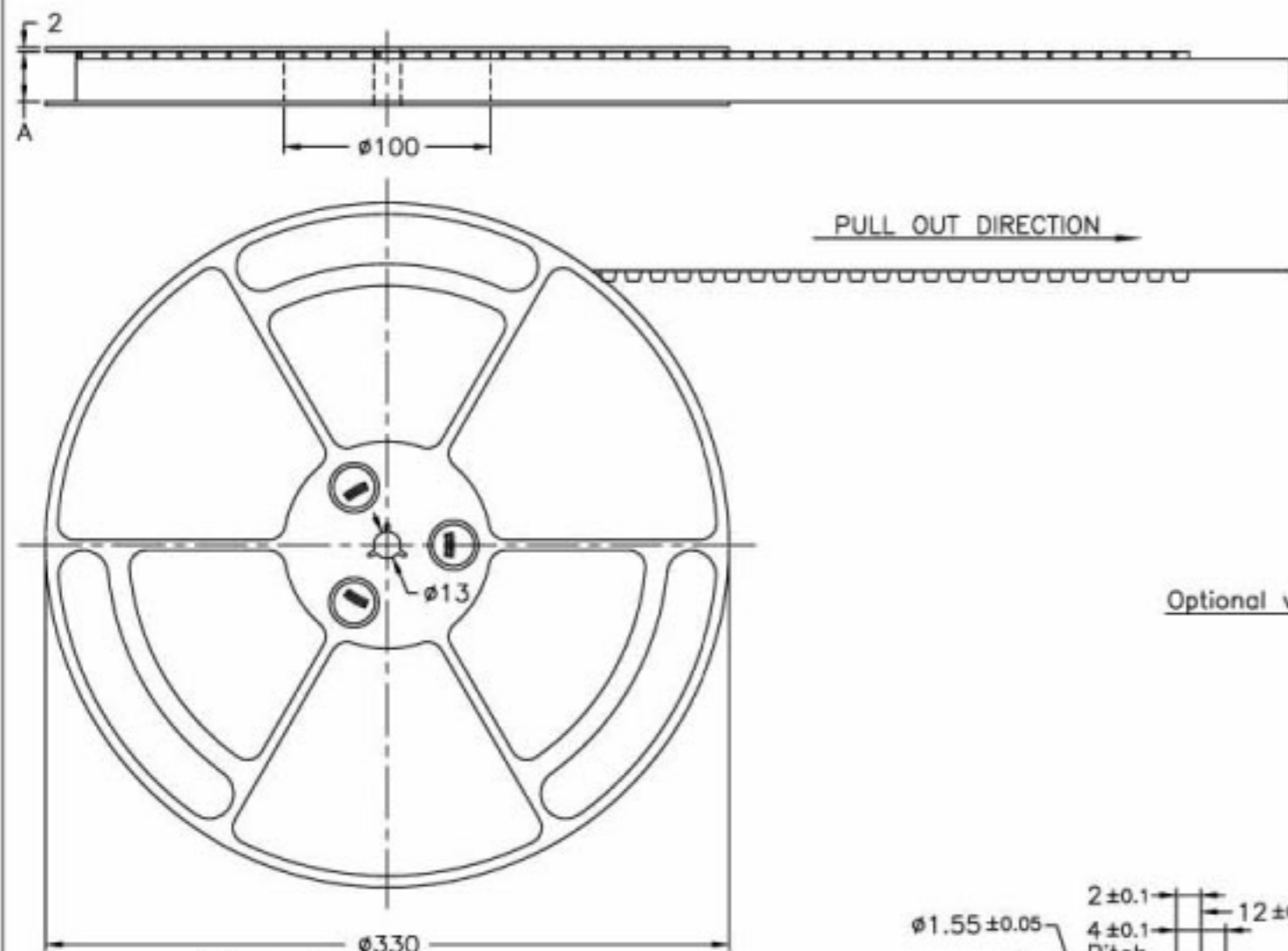
TOLERANCE UNLESS SPECIFIED		REV.	G	DR. BY	Bonnie Li	MATERIAL	See Note 1.
LINEAR	ANGLE	SHEET	3/7	CHK. BY	S.T.Lin	FINISH	See Note 2.
.X	.X'	SCALE	8/1	APP. BY	S.T.Lin	DATE	05/26/'04
.XX	.X'	UNIT	mm			PART NO.	See Note 3.
.XXX							



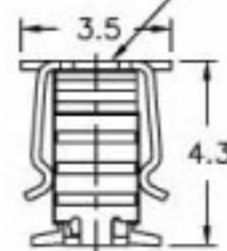
TITLE 1.0mm Pitch FPC/FFC Connector
 DWG NO. C1/CADBOOK/BOOK/BL113/HP

EMBOSSED TAPE PACKING BL113 SERIES S TYPE

REV.	ECN NO.	DATE
A	RELEASED	2/22/2000
B	101003	1/10/2001
C	110015	10/15/'01
D	411008	11/04/'04

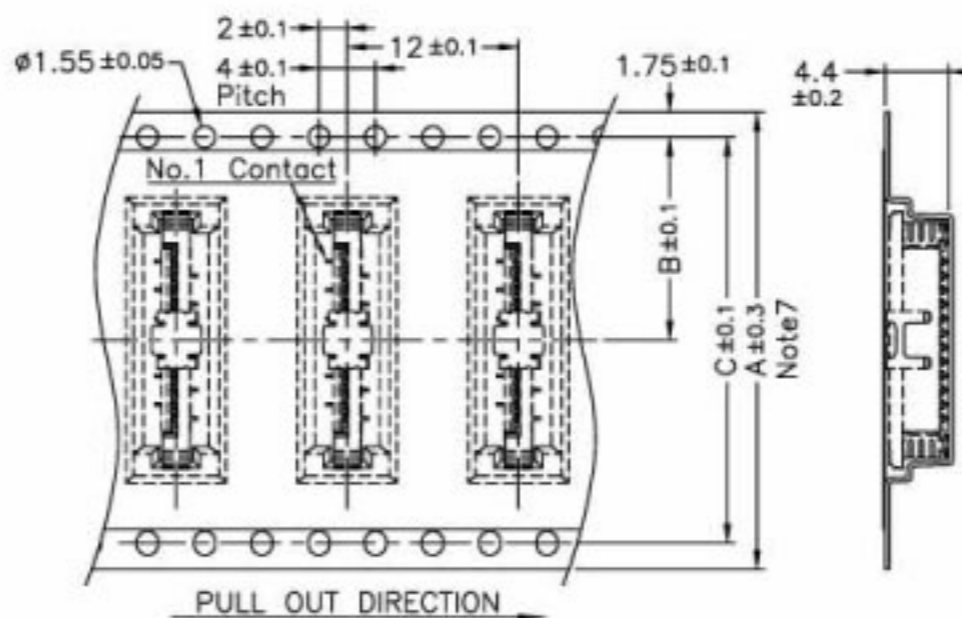
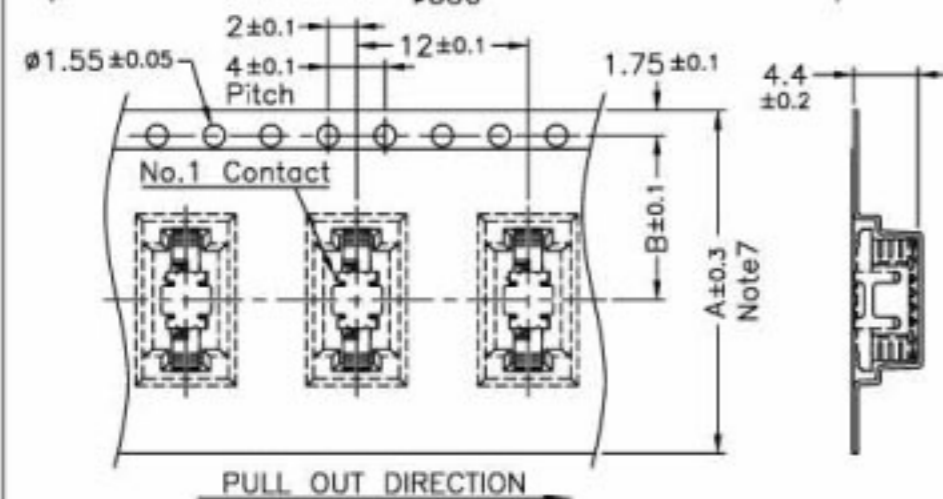


Optional vacuum cap for robotic placement



Note:

1. 10 sprocket hole pitch cumulative tolerance ± 0.2
2. Carrier camber is within 1 mm in 100mm.
3. Material : Black Conductive Polystyrene Alloy
100% recyclable.
4. All dimensions meet EIA-481-B requirements.
5. Thickness : 0.3 ± 0.05 mm
6. Component load per 13" reel : 1000 pcs.
7. For tape width (dimension A) 24mm a pilot hole is provided on one side.
For tape width (dimension A) 32mm and 44mm pilot holes are provided on both sides.



No. of Contacts	Part Number	DIM. A Note7	DIM. B	DIM. C
4	BL113-04S	24	11.5	—
11	BL113-11S			
12	BL113-12S	32	14.2	28.4
16	BL113-16S			
17	BL113-17S			
24	BL113-24S	44	20.2	40.4

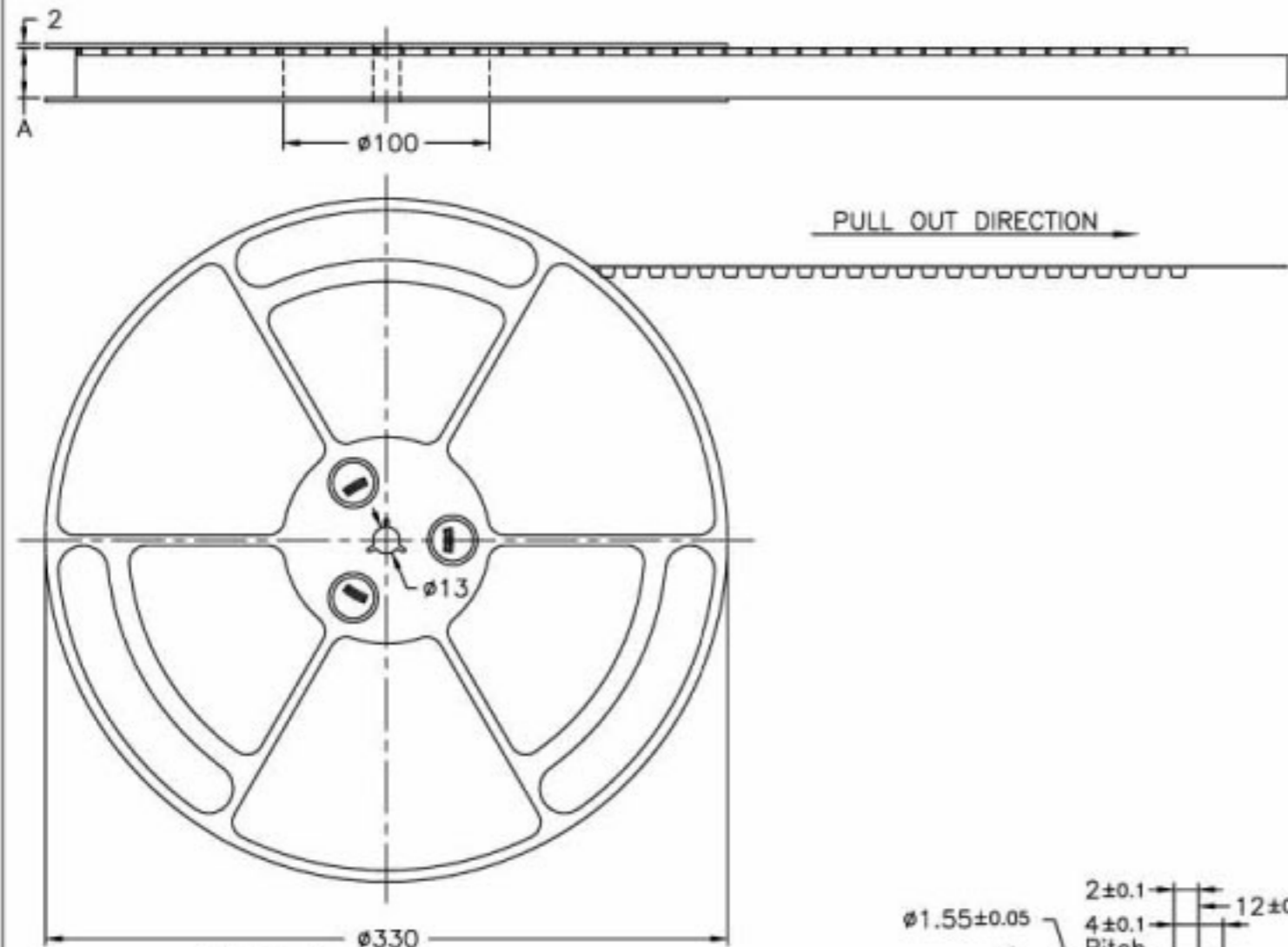
TOLERANCE UNLESS SPECIFIED		REV.	D	DR. BY	MATERIAL
LINEAR	ANGLE	SHEET	5/7	Bonnie Li	See Note3
.X	.X'	SCALE		CHK. BY	FINISH
.XX	.X'	UNIT	mm	S.T.Lin	DATE 10/15/'01
.XXX				APP. BY	PART NO. BL113-xxS



TITLE 1.0mm Pitch FPC/FFC Connector
DWG NO. C1/CADBOOK/BOOK/BL113/HP

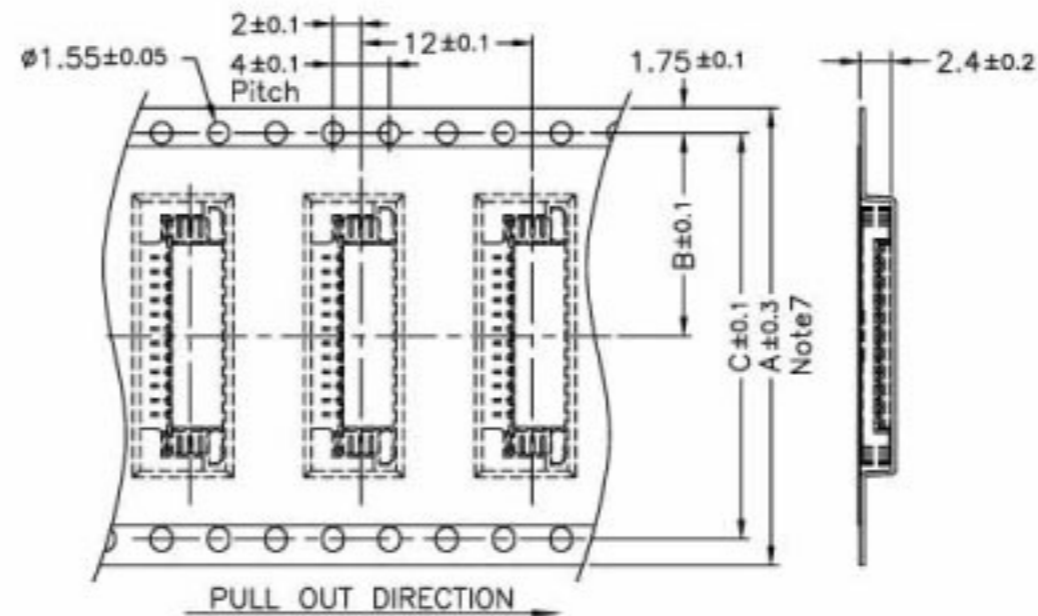
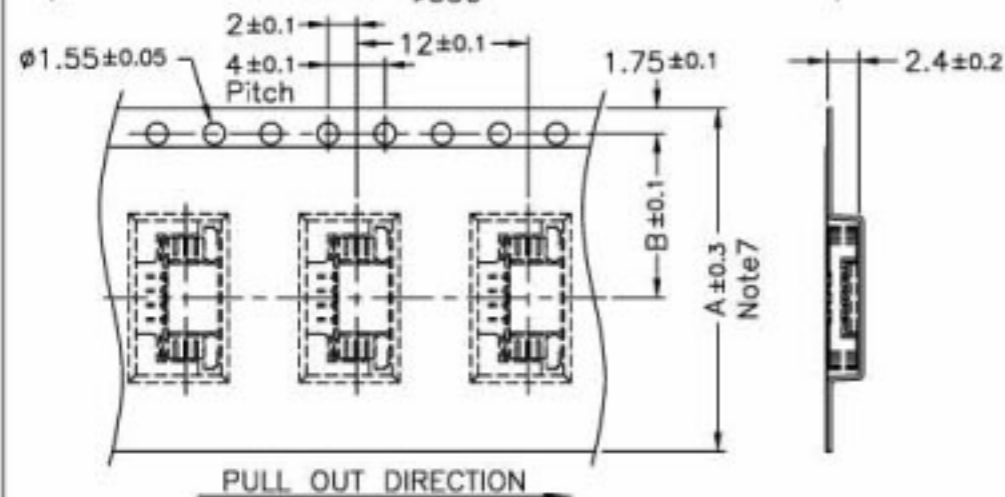
EMBOSSED TAPE PACKING BL113 SERIES RIGHT ANGLE TYPE

REV.	ECN NO.	DATE
A	RELEASED	2/22/2000
B	110015	10/15/'01
C	411008	11/04/'04



Note:

1. 10 sprocket hole pitch cumulative tolerance ± 0.2
2. Carrier camber is within 1 mm in 100mm.
3. Material : Black Conductive Polystyrene Alloy
100% recyclable.
4. All dimensions meet EIA-481-B requirements.
5. Thickness : 0.3 ± 0.05 mm
6. Component load per 13" reel : 2000 pcs.
7. For tape width (dimension A) 24mm a pilot hole is provided on one side.
For tape width (dimension A) 32mm and 44mm pilot holes are provided on both sides.



No. of Contacts	Part Number	DIM. A Note 7	DIM. B	DIM. C
4	BL113-04RU BL113-04RL	24	11.5	—
11	BL113-11RU BL113-11RL			
12	BL113-12RU BL113-12RL	32	14.2	28.4
16	BL113-16RU BL113-16RL			
17	BL113-17RU BL113-17RL			
24	BL113-24RU BL113-24RL	44	20.2	40.4

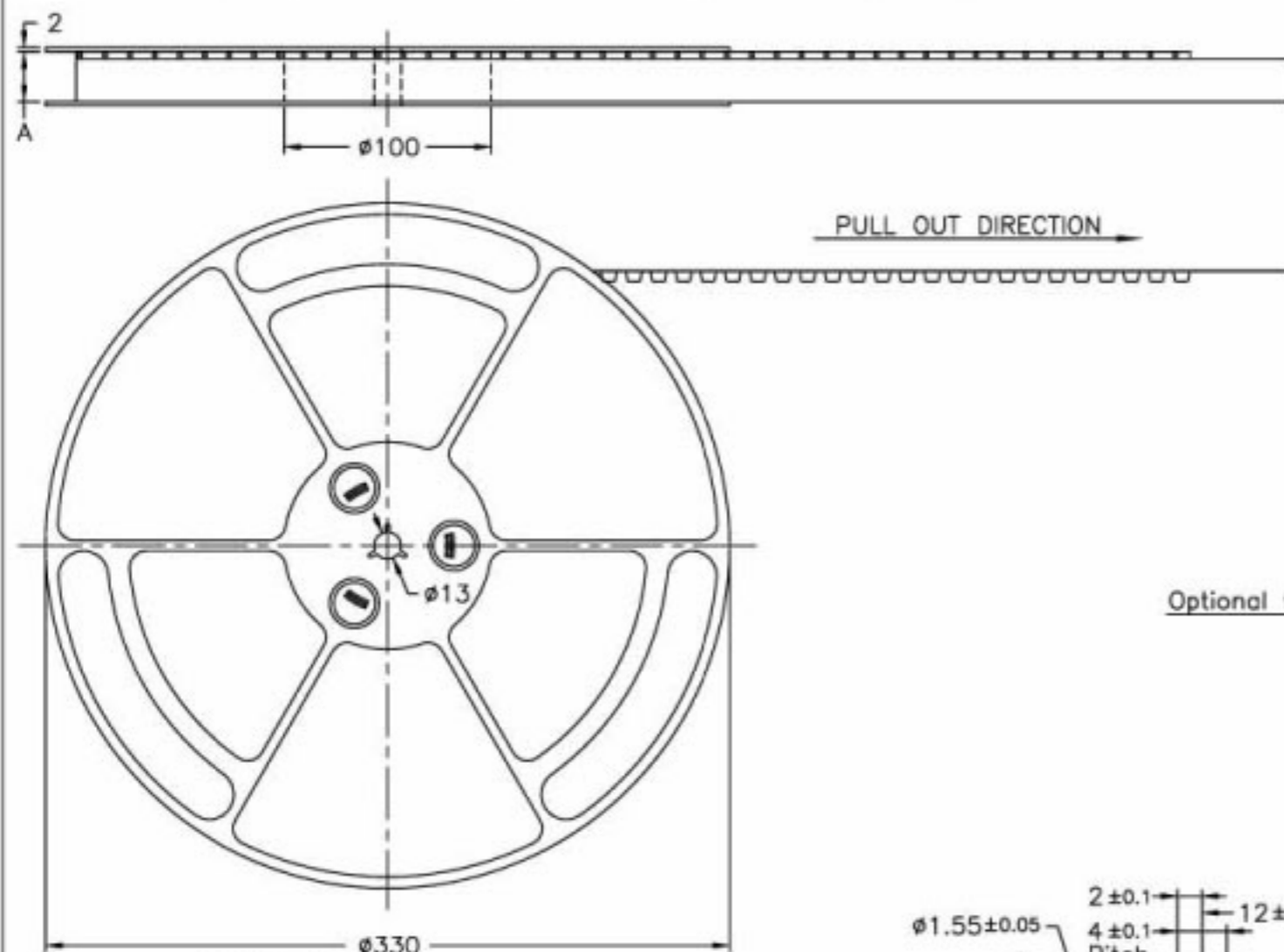
TOLERANCE UNLESS SPECIFIED		REV.	C	DR. BY	Bonnie Li	MATERIAL	See Note 3
LINEAR	ANGLE	SHEET	6/7	CHK. BY	S.T.Lin	FINISH	
.X	.X'	SCALE		APP. BY	S.T.Lin	DATE	10/15/'01
.XX		UNIT	mm			PART NO.	BL113-xxRU&RL
.XXX							



TITLE 1.0mm Pitch FPC/FFC Connector
 DWG NO. C1/CADBOOK/BOOK/BL113/HP

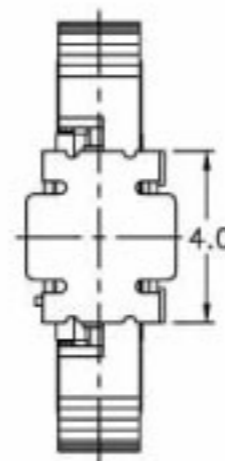
EMBOSSED TAPE PACKING BL113 SERIES SX TYPE

REV.	ECN NO.	DATE
A	RELEASED	2/22/2000
B	101003	1/10/2001
C	110015	10/15/'01
D	411008	11/04/'04

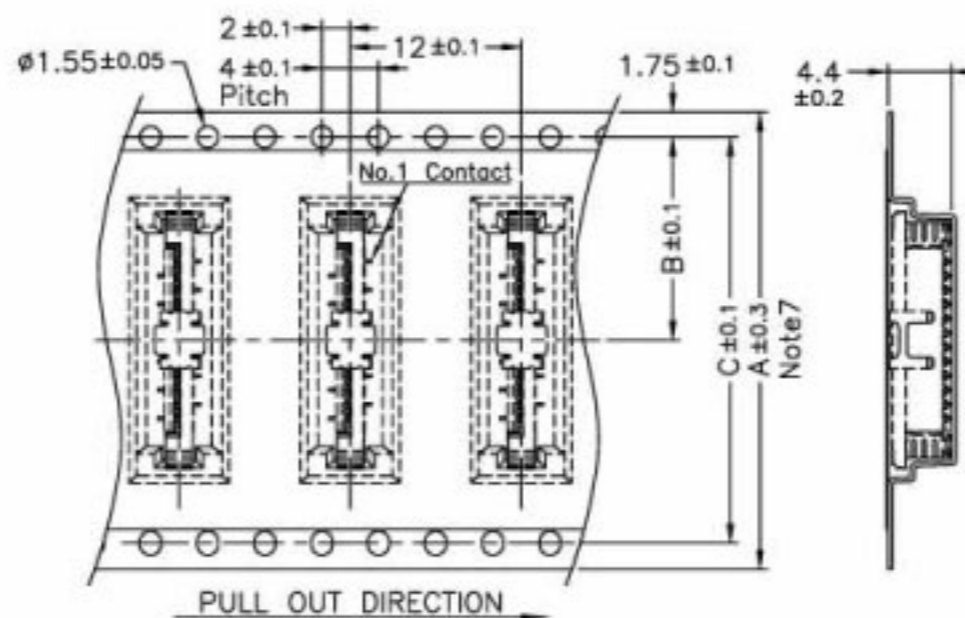
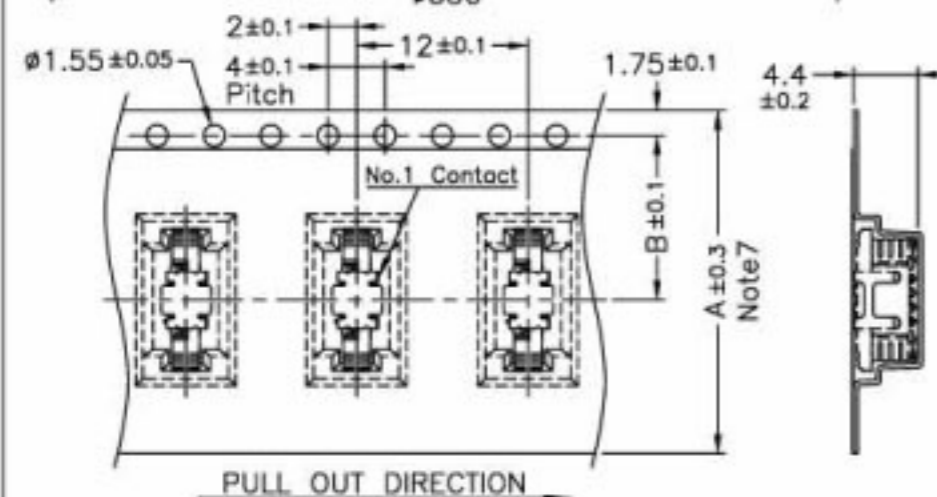
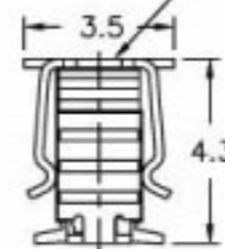


Note:

1. 10 sprocket hole pitch cumulative tolerance ± 0.2
2. Carrier camber is within 1 mm in 100mm.
3. Material : Black Conductive Polystyrene Alloy
100% recyclable.
4. All dimensions meet EIA-481-B requirements.
5. Thickness : 0.3 ± 0.05 mm
6. Component load per 13" reel : 1000 pcs.
7. For tape width (dimension A) 24mm a pilot hole is provided on one side.
For tape width (dimension A) 32mm and 44mm pilot holes are provided on both sides.



Optional vacuum cap for robotic placement



No. of Contacts	Part Number	DIM. A Note7	DIM. B	DIM. C
4	BL113-4SX	24	11.5	—
11	BL113-11SX			
12	BL113-12SX	32	14.2	28.4
16	BL113-16SX			
17	BL113-17SX			
24	BL113-24SX	44	20.2	40.4

TOLERANCE UNLESS SPECIFIED		REV.	D	DR. BY	MATERIAL
LINEAR	ANGLE	SHEET	7/7	Bonnie Li	See Note3
.X	.X'	SCALE		CHK. BY	FINISH
.XX	.X'	UNIT	mm	S.T.Lin	DATE 10/15/'01
.XXX				APP. BY	PART NO. BL113-xxSX



TITLE 1.0mm Pitch FPC/FFC Connector
DWG NO. C1/CADBOOK/BOOK/BL113/HP