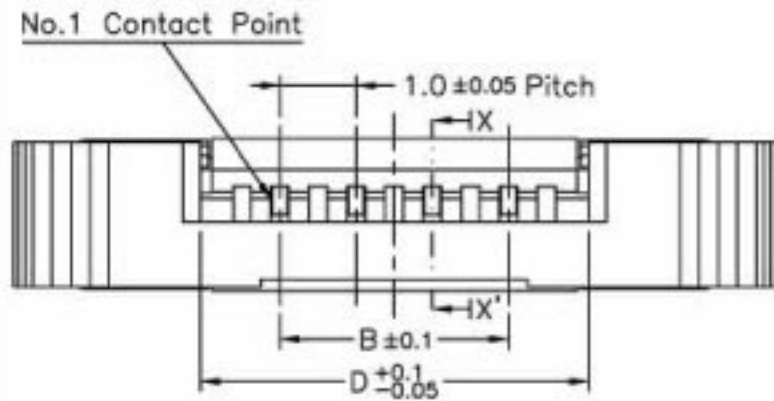
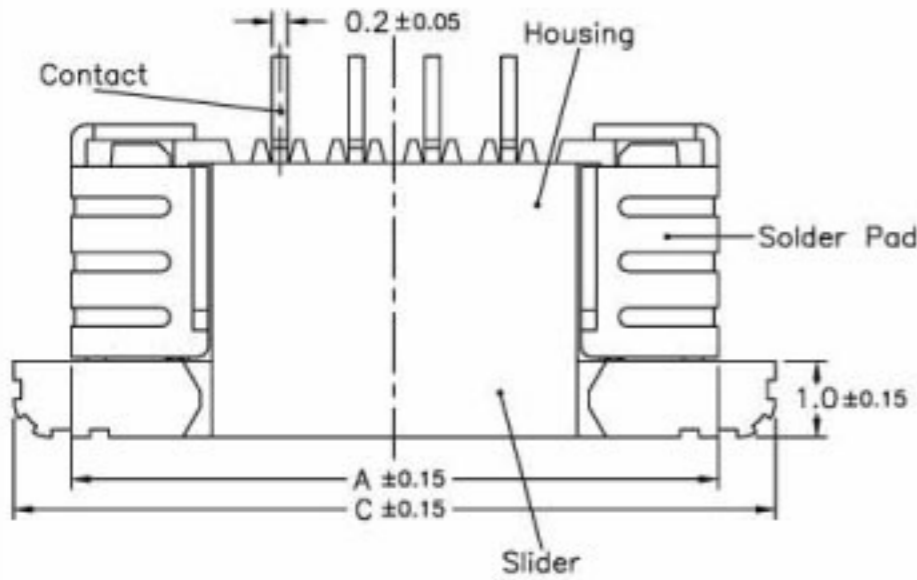


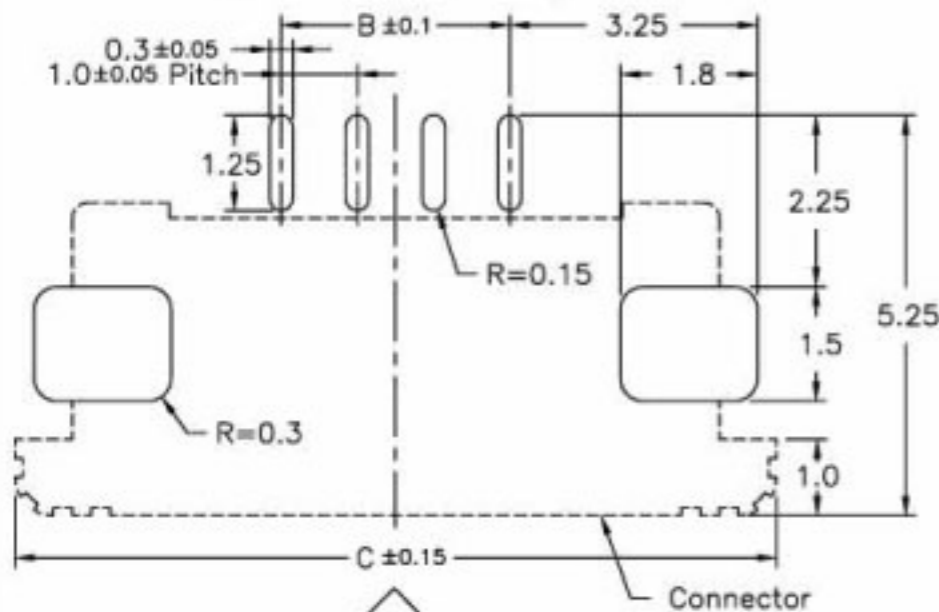
REV.	ECN NO.	DATE
A	RELEASED	8/5/'98
B	904006	4/15/'99
C	001001	1/4/2001
D	110015	10/15/'01
E	405004	05/26/'04
F	411008	11/04/'04
G	412001	12/31/'04

NOTE:

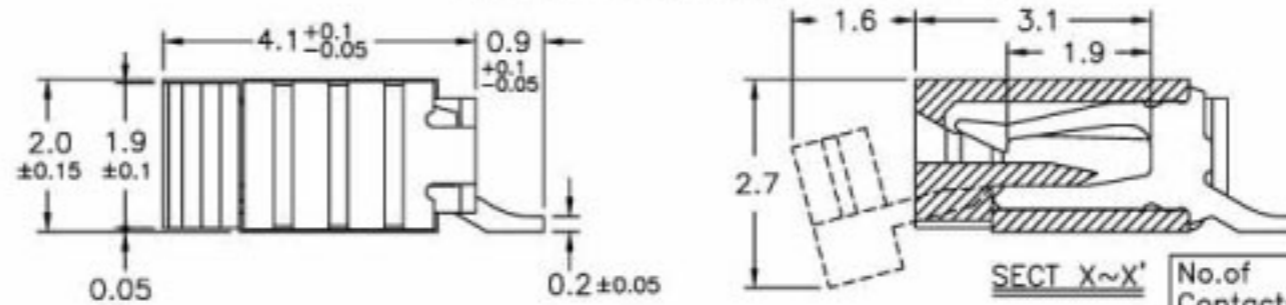
- MATERIAL:**
HOUSING:THERMOPLASTIC
SLIDER:THERMOPLASTIC
CONTACTS:COPPER ALLOY
SOLDER PAD:COPPER ALLOY
- PLATING:**
CONTACTS:SEE ORDERING INFORMATION
SOLDER PAD:SEE ORDERING INFORMATION
- PART NO.:**
BL113- xx RU- xx xx
 - 00-TIN/LEAD OVER NICKEL
 - ND-TIN OVER NICKEL(LEAD FREE)
 - 1G-1U" GOLD OVER NICKEL
 - 3G-3U" GOLD OVER NICKEL
- RATING:**
OPERATING VOLTAGE:50V
CURRENT RATING:0.5A
OPERATING TEMPERATURE:-55°C ~ +85°C



PCB Layout

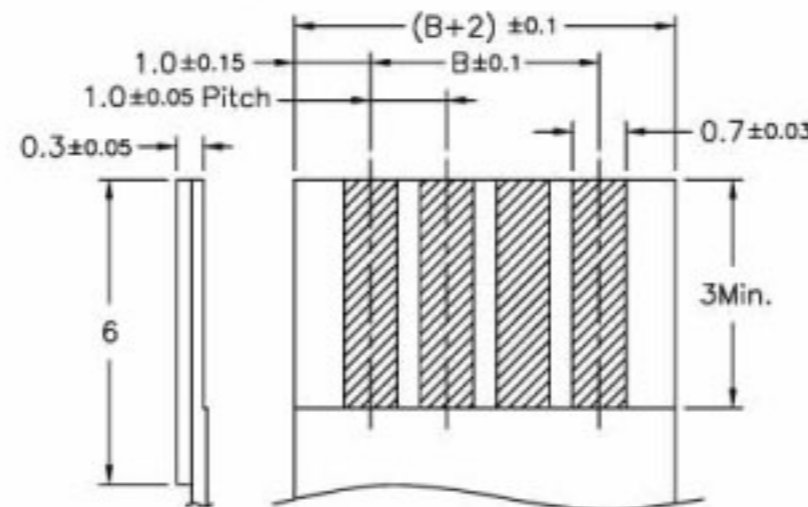


FPC/FFC INSERT DIRECTION



SECT X~X'

Applicable FPC



No.of Contacts	Part Number	DIM. A	DIM. B	DIM. C	DIM. D
4	BL113-04RU	8.5	3	10	5.1
5	BL113-05RU	9.5	4	11	6.1
6	BL113-06RU	10.5	5	12	7.1
7	BL113-07RU	11.5	6	13	8.1
8	BL113-08RU	12.5	7	14	9.1
9	BL113-09RU	13.5	8	15	10.1
10	BL113-10RU	14.5	9	16	11.1
11	BL113-11RU	15.5	10	17	12.1
12	BL113-12RU	16.5	11	18	13.1
13	BL113-13RU	17.5	12	19	14.1
14	BL113-14RU	18.5	13	20	15.1
15	BL113-15RU	19.5	14	21	16.1
16	BL113-16RU	20.5	15	22	17.1
17	BL113-17RU	21.5	16	23	18.1
18	BL113-18RU	22.5	17	24	19.1
19	BL113-19RU	23.5	18	25	20.1
20	BL113-20RU	24.5	19	26	21.1
21	BL113-21RU	25.5	20	27	22.1
22	BL113-22RU	26.5	21	28	23.1
23	BL113-23RU	27.5	22	29	24.1
24	BL113-24RU	28.5	23	30	25.1

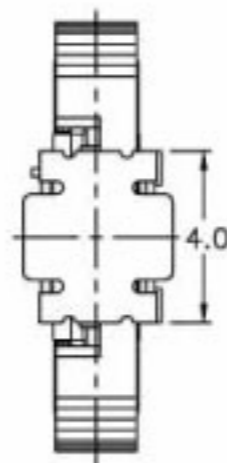
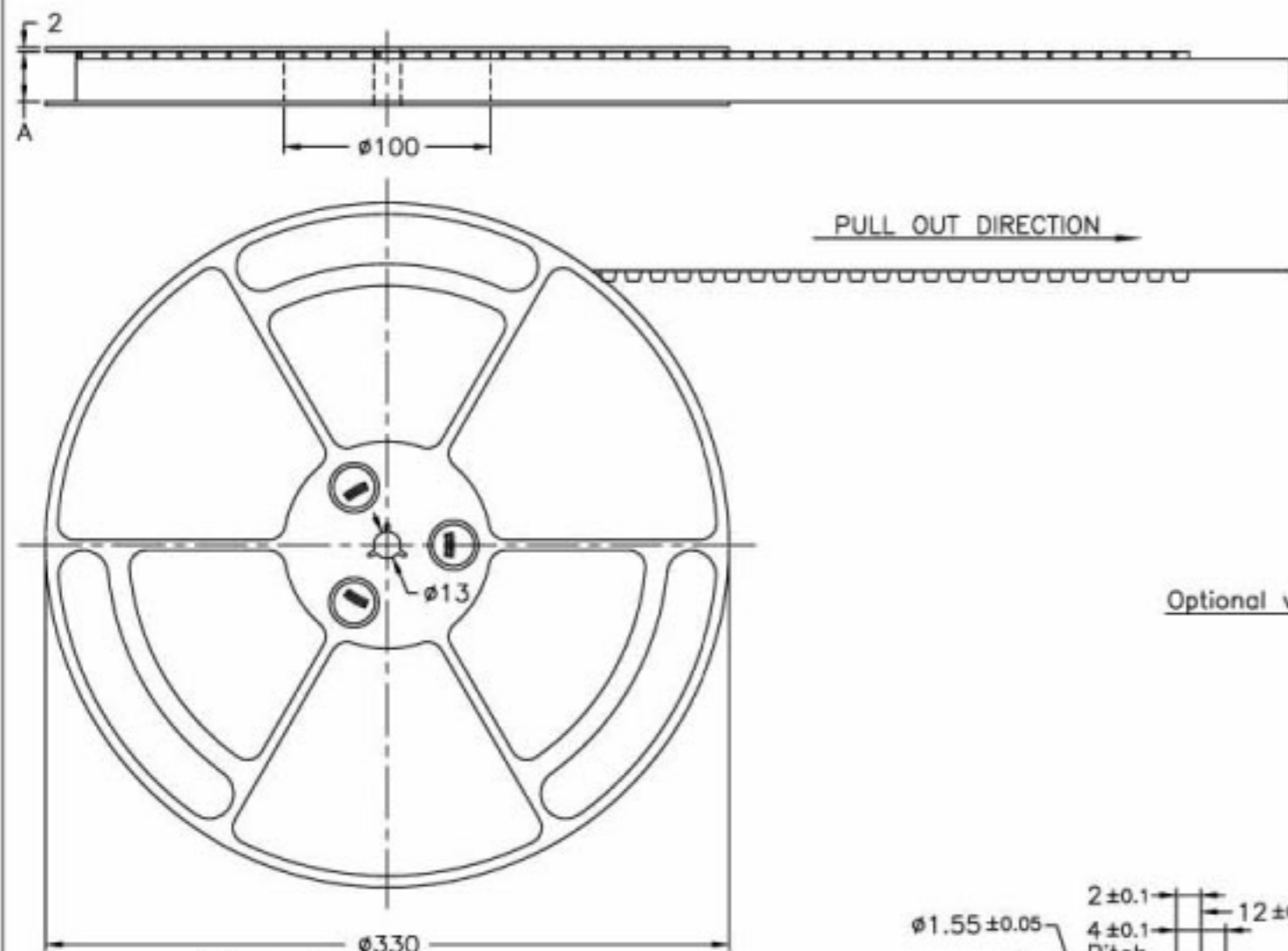
TOLERANCE UNLESS SPECIFIED	REV. G	DR. BY Bonnie Li	MATERIAL See Note 1.
LINEAR	SHEET 2/7	CHK. BY S.T.Lin	FINISH See Note 2.
ANGLE	SCALE 8/1	APP. BY S.T.Lin	DATE 05/26/'04
.X	UNIT mm		PART NO. See Note 3.
.XX			
.XXX			



TITLE 1.0mm Pitch FPC/FFC Connector
DWG NO. C1/CADBOOK/BOOK/BL113/HP

EMBOSSED TAPE PACKING BL113 SERIES S TYPE

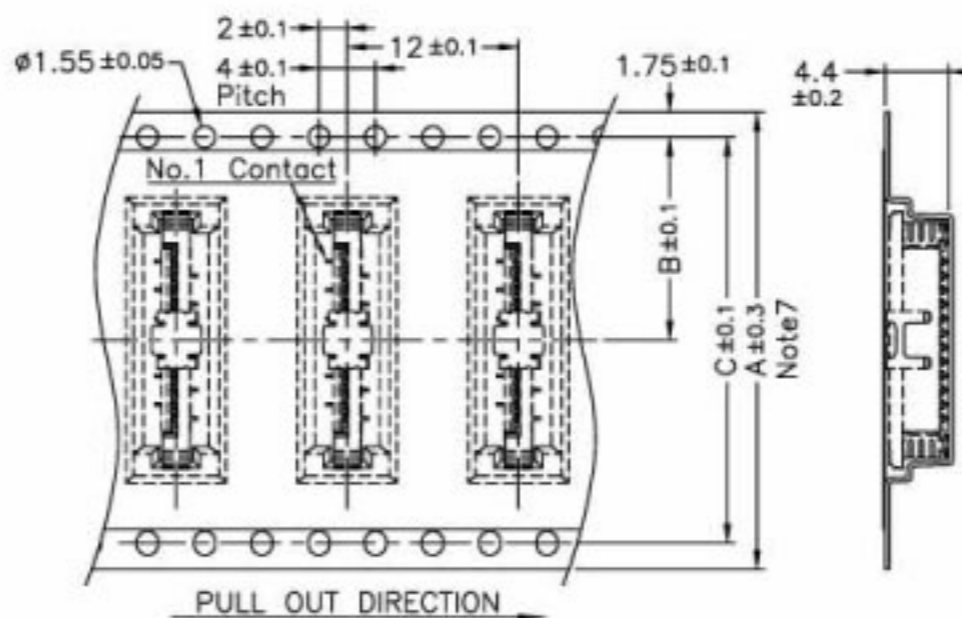
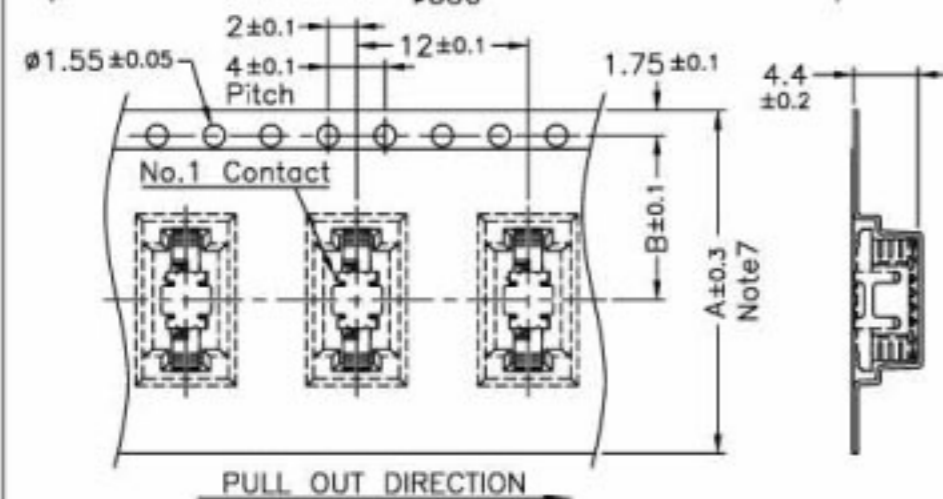
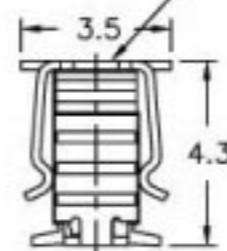
REV.	ECN NO.	DATE
A	RELEASED	2/22/2000
B	101003	1/10/2001
C	110015	10/15/'01
D	411008	11/04/'04



Note:

1. 10 sprocket hole pitch cumulative tolerance ± 0.2
2. Carrier camber is within 1 mm in 100mm.
3. Material : Black Conductive Polystyrene Alloy
100% recyclable.
4. All dimensions meet EIA-481-B requirements.
5. Thickness : 0.3 ± 0.05 mm
6. Component load per 13" reel : 1000 pcs.
7. For tape width (dimension A) 24mm a pilot hole is provided on one side.
For tape width (dimension A) 32mm and 44mm pilot holes are provided on both sides.

Optional vacuum cap for robotic placement



No. of Contacts	Part Number	DIM. A Note 7	DIM. B	DIM. C
4	BL113-04S	24	11.5	—
11	BL113-11S			
12	BL113-12S	32	14.2	28.4
16	BL113-16S			
17	BL113-17S	44	20.2	40.4
24	BL113-24S			

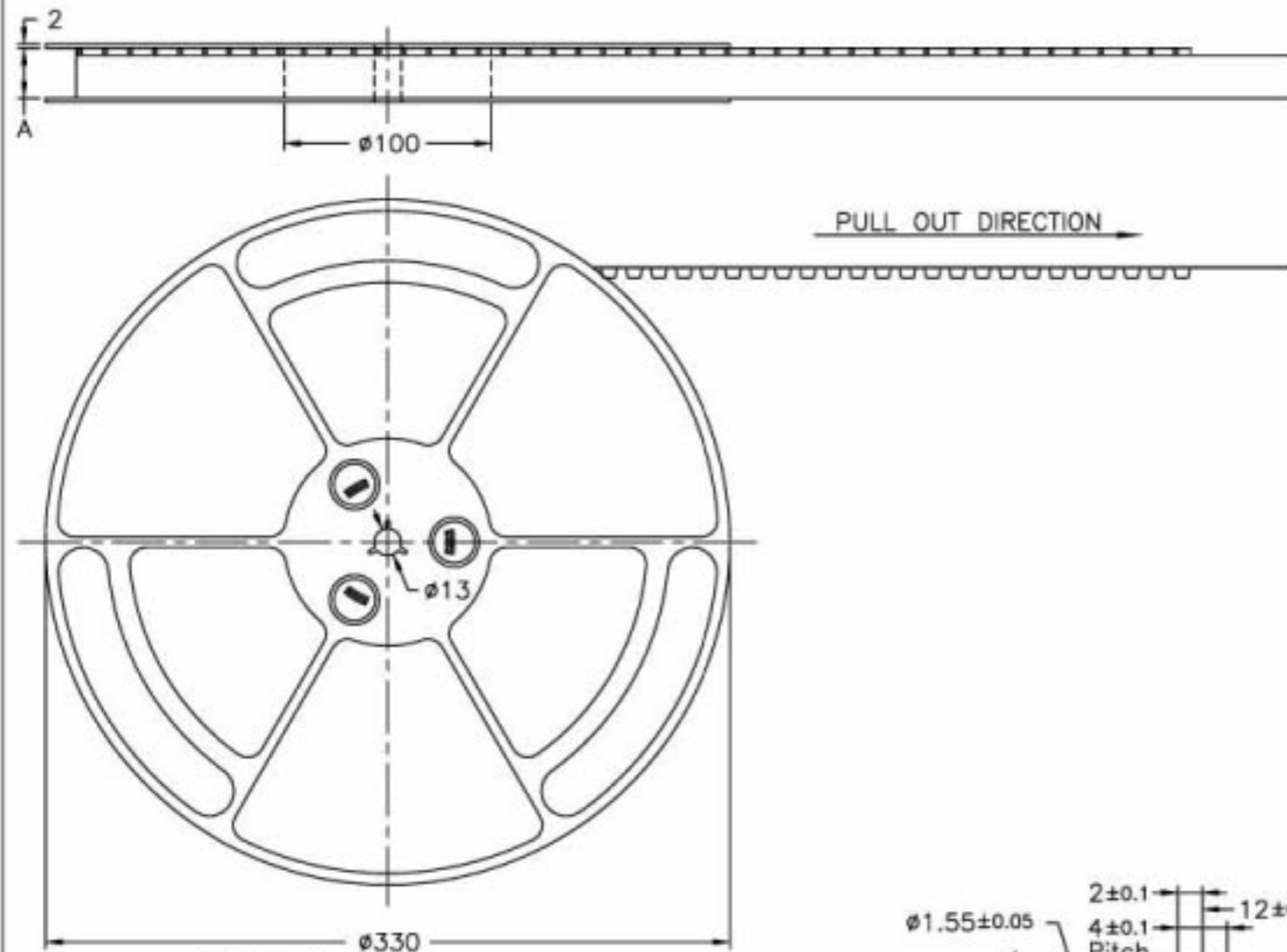
TOLERANCE UNLESS SPECIFIED		REV.	D	DR. BY	MATERIAL
LINEAR	ANGLE	SHEET	5/7	Bonnie Li	See Note 3
.X	.X'	SCALE		CHK. BY	FINISH
.XX	.X'	UNIT	mm	S.T.Lin	DATE 10/15/'01
.XXX				APP. BY	PART NO. BL113-xxS



TITLE 1.0mm Pitch FPC/FFC Connector
DWG NO. C1/CADBOOK/BOOK/BL113/HP

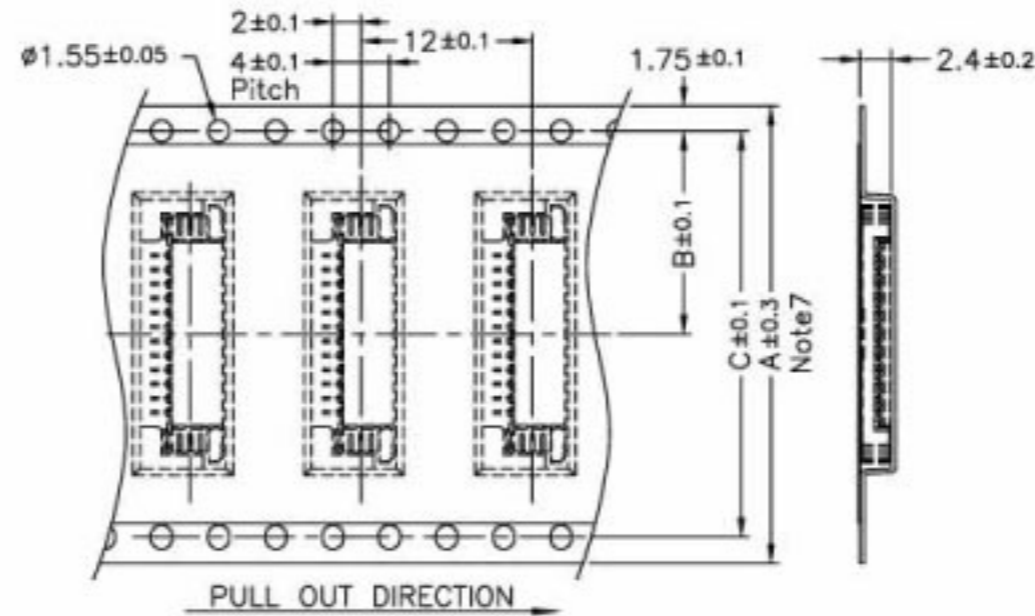
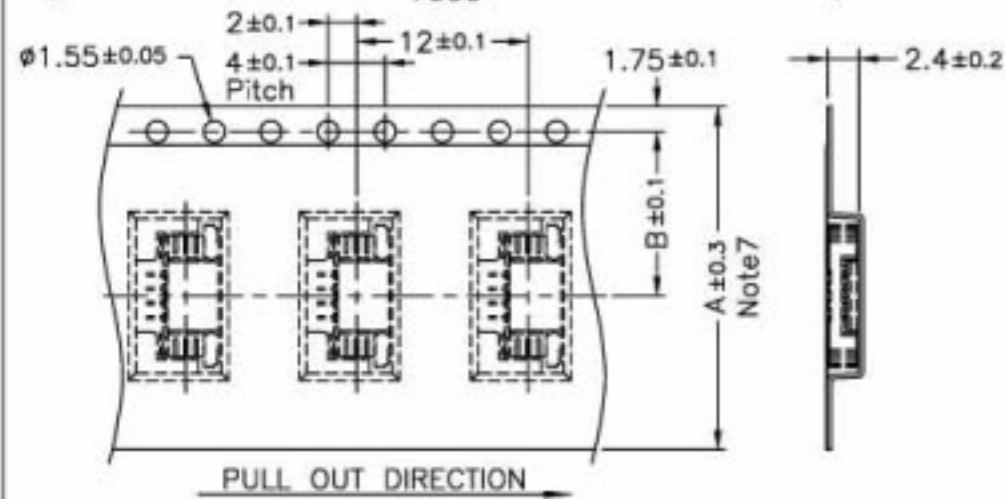
EMBOSSED TAPE PACKING BL113 SERIES RIGHT ANGLE TYPE

REV.	ECN NO.	DATE
A	RELEASED	2/22/2000
B	110015	10/15/'01
C	411008	11/04/'04



Note:

1. 10 sprocket hole pitch cumulative tolerance ± 0.2
2. Carrier camber is within 1 mm in 100mm.
3. Material : Black Conductive Polystyrene Alloy
100% recyclable.
4. All dimensions meet EIA-481-B requirements.
5. Thickness : 0.3 ± 0.05 mm
6. Component load per 13" reel : 2000 pcs.
7. For tape width (dimension A) 24mm a pilot hole is provided on one side.
For tape width (dimension A) 32mm and 44mm pilot holes are provided on both sides.



No. of Contacts	Part Number	DIM. A Note7	DIM. B	DIM. C
4	BL113-04RU BL113-04RL	24	11.5	—
11	BL113-11RU BL113-11RL			
12	BL113-12RU BL113-12RL	32	14.2	28.4
16	BL113-16RU BL113-16RL			
17	BL113-17RU BL113-17RL			
24	BL113-24RU BL113-24RL	44	20.2	40.4

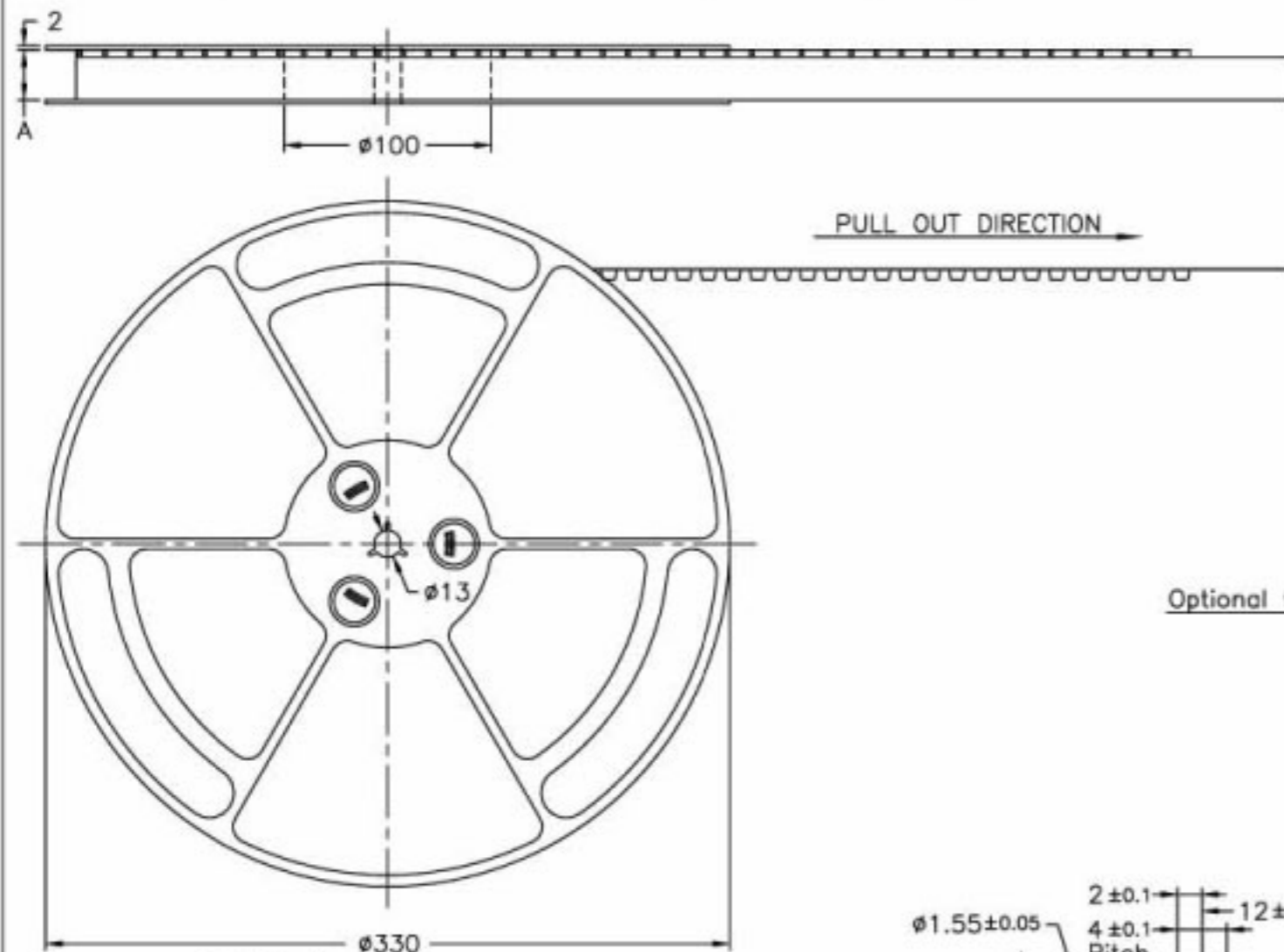
TOLERANCE UNLESS SPECIFIED		REV.	C	DR. BY	MATERIAL
LINEAR	ANGLE	SHEET	6/7	Bonnie Li	See Note3
.X	.X'	SCALE		CHK. BY	FINISH
.XX	.X'	UNIT	mm	S.T.Lin	DATE 10/15/'01
.XXX				APP. BY	PART NO. BL113-xxRU&RL



TITLE 1.0mm Pitch FPC/FFC Connector
DWG NO. C1/CADBOOK/BOOK/BL113/HP

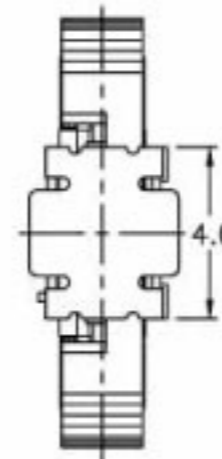
EMBOSSED TAPE PACKING BL113 SERIES SX TYPE

REV.	ECN NO.	DATE
A	RELEASED	2/22/2000
B	101003	1/10/2001
C	110015	10/15/'01
D	411008	11/04/'04

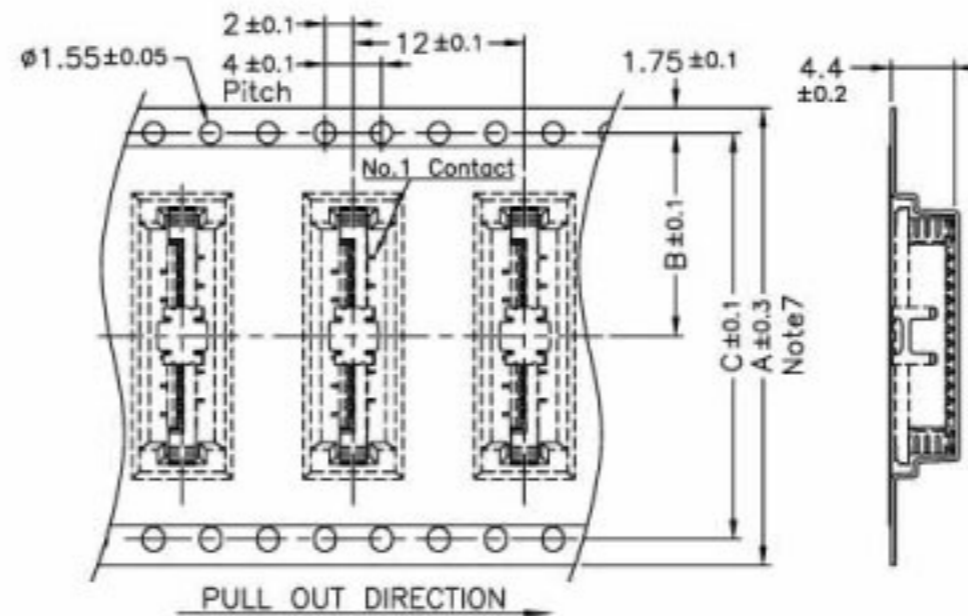
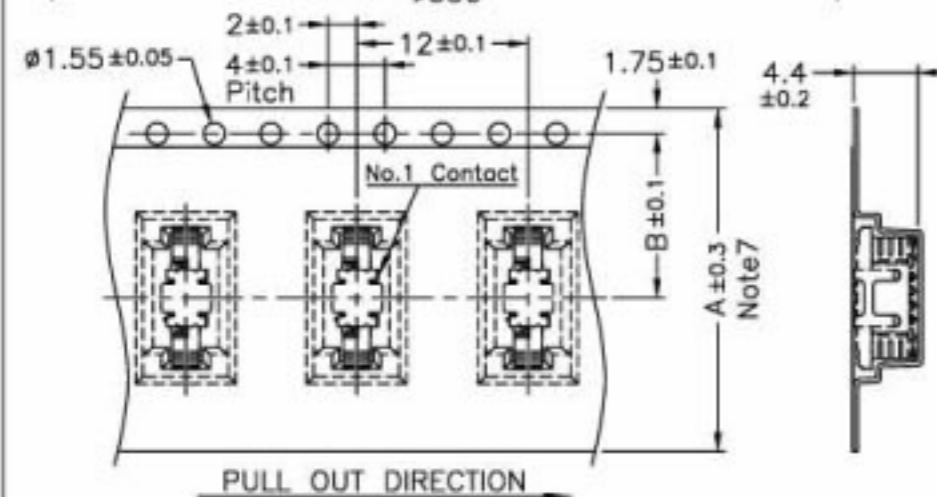
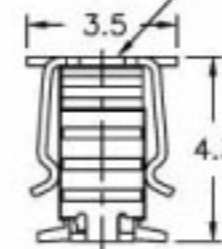


Note:

1. 10 sprocket hole pitch cumulative tolerance ± 0.2
2. Carrier camber is within 1 mm in 100mm.
3. Material : Black Conductive Polystyrene Alloy
100% recyclable.
4. All dimensions meet EIA-481-B requirements.
5. Thickness : 0.3 ± 0.05 mm
6. Component load per 13" reel : 1000 pcs.
7. For tape width (dimension A) 24mm a pilot hole is provided on one side.
For tape width (dimension A) 32mm and 44mm pilot holes are provided on both sides.



Optional vacuum cap for robotic placement



No. of Contacts	Part Number	DIM. A Note 7	DIM. B	DIM. C
4	BL113-4SX	24	11.5	—
11	BL113-11SX			
12	BL113-12SX	32	14.2	28.4
16	BL113-16SX			
17	BL113-17SX			
24	BL113-24SX	44	20.2	40.4

TOLERANCE UNLESS SPECIFIED		REV.	D	DR. BY	MATERIAL
LINEAR	ANGLE	SHEET	7/7	Bonnie Li	See Note 3
.X	.X'	SCALE		CHK. BY	FINISH
.XX	.X'	UNIT	mm	S.T.Lin	DATE 10/15/'01
.XXX				APP. BY	PART NO. BL113-xxSX



TITLE 1.0mm Pitch FPC/FFC Connector
DWG NO. C1/CADBOOK/BOOK/BL113/HP