

TOLERANCES: ±0.05

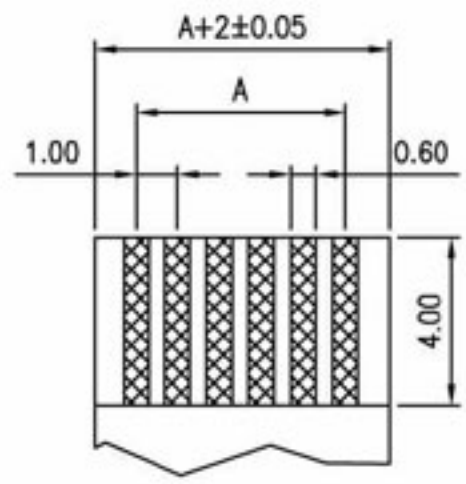
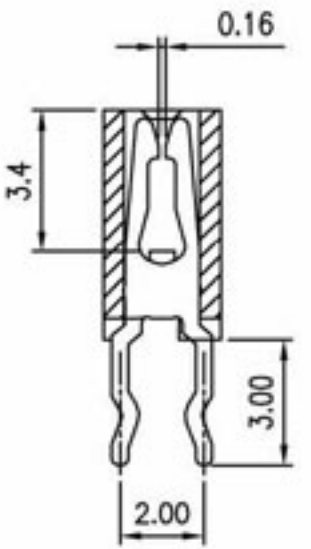
**RECOMMENDED PCB LAYOUT**

D		Wilson	May.25.2006
C		Wilson	Feb.28.2005
B	93038	Wilson	Dec.30.2004
A0		Wilson	Dec.28.2004
REV	ECN NO.	NAME	DATE

RoHS Compliant FPC/FFC T=0.30±0.05

**TOLERANCE**

LINEAR	ANGLES
X.±0.40	X°.±
.X±0.30	.X°.±
.XX±0.20	.XX°.±
.XXX±0.10	.XXX°.±



**MATERIAL**  
 INSULATOR: GLASS-REINFORCED THERMOPLASTIC.  
 CONTACT: COPPER ALLOY.  
 PLATING: ALL TIN, LEAD FREE.

**ELECTRICAL**  
 CURRENT RATING: 0.5 AMP.  
 DIELECTRIC WITHSTANDING VOLTAGE: 500 VAC MIN.  
 INSULATION RESISTANCE: 1000 MEGAOHMS MIN.  
 CONTACT RESISTANCE: 30 MILLIOHMS MAX.

**ENVIRONMENTAL**  
 TEMPERATURE RANGE: -55°C TO +85°C.

**PART NO.**  
 BL108 - XX S - 0X  
 Series No.      Packing Option  
 No. Of Circuits      2. Tube

STRAIGHT 180° (PARALLE TYPE)  
 (NCRMAL TYPE)

**DIMENSION TABLE**

Circuits	Dimension			Circuits	Dimension		
	A	B	C		A	B	C
2	1.00	3.1	5	20	19.00	21.1	23
3	2.00	4.1	6	21	20.00	22.1	24
4	3.00	5.1	7	22	21.00	23.1	25
5	4.00	6.1	8	23	22.00	24.1	26
6	5.00	7.1	9	24	23.00	25.1	27
7	6.00	8.1	10	25	24.00	26.1	28
8	7.00	9.1	11	26	25.00	27.1	29
9	8.00	10.1	12	27	26.00	28.1	30
10	9.00	11.1	13	28	27.00	29.1	31
11	10.00	12.1	14	29	28.00	30.1	32
12	11.00	13.1	15	30	29.00	31.1	33
13	12.00	14.1	16	31	30.00	32.1	34
14	13.00	15.1	17	32	31.00	33.1	35
15	14.00	16.1	18	33	32.00	34.1	36
16	15.00	17.1	19	34	33.00	35.1	37
17	16.00	18.1	20	35	34.00	36.1	38
18	17.00	19.1	21	36	35.00	37.1	39
19	18.00	20.1	22				

TITLE: FPC/FFC 1.0 FITCH NON ZIF TOP ENTRY DUAL CONTACT DIP TYPE - STANDARD PCB LAYOUT

PART NO. BL108-XX S

DWG NO. BL108-XX S

UNITS	SCALE	SHEET	REV
		MM	1 : 1

APPD:	Jason	MAT'L:	
CHKD:	Schumi	FINISH:	
DRWN:	Wilson	Q'TY:	

CUSTOMER