

REV.	ECN NO.	DATE
A	RELEASED	5/30/2001
B	411003	11/3/2004

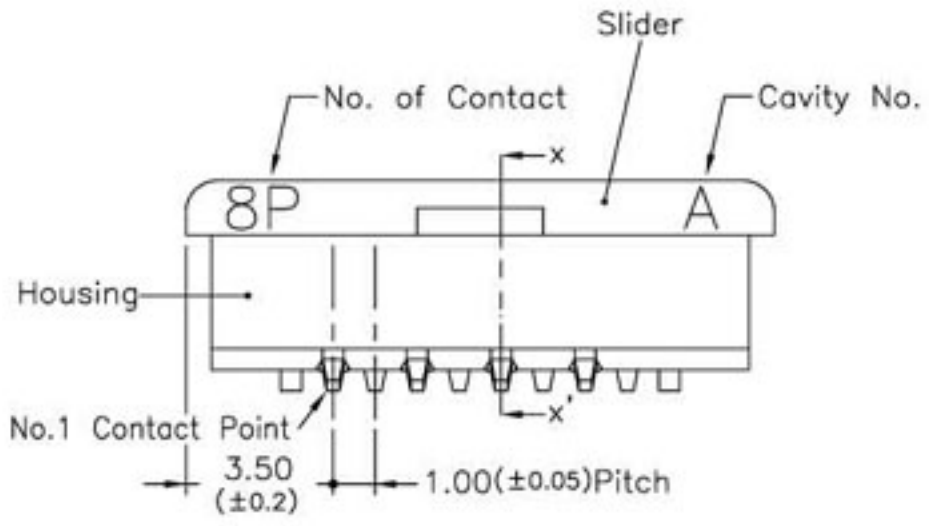
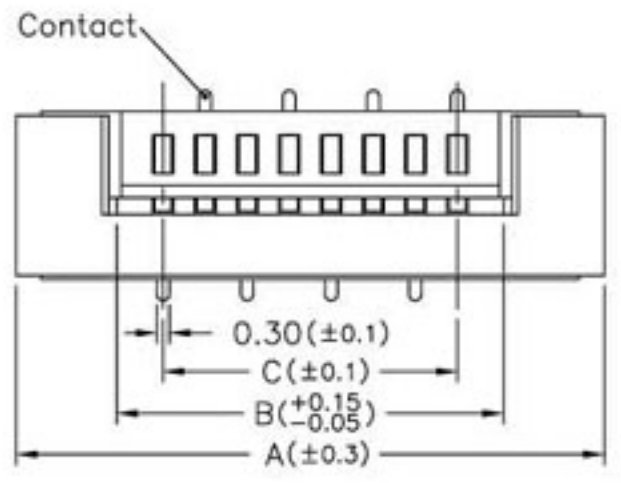
NOTE:

- 1.MATERIAL:  
HOUSING:THERMOPLASTIC  
SLIDER:THERMOPLASTIC  
CONTACTS:COPPER ALLOY
- 2.PLATING:  
CONTACTS:SEE ORDERING INFORMATION

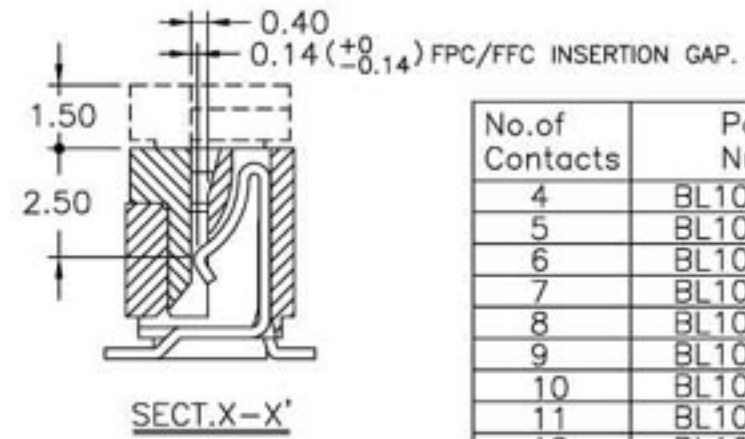
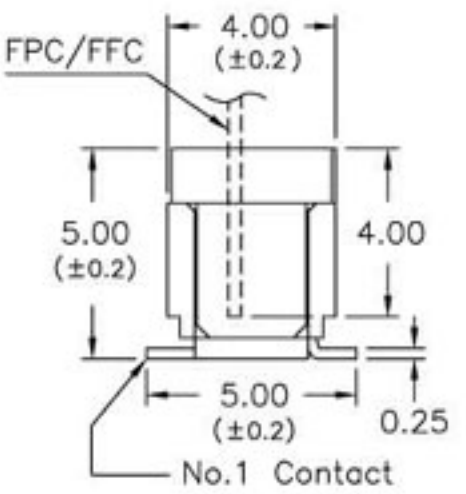
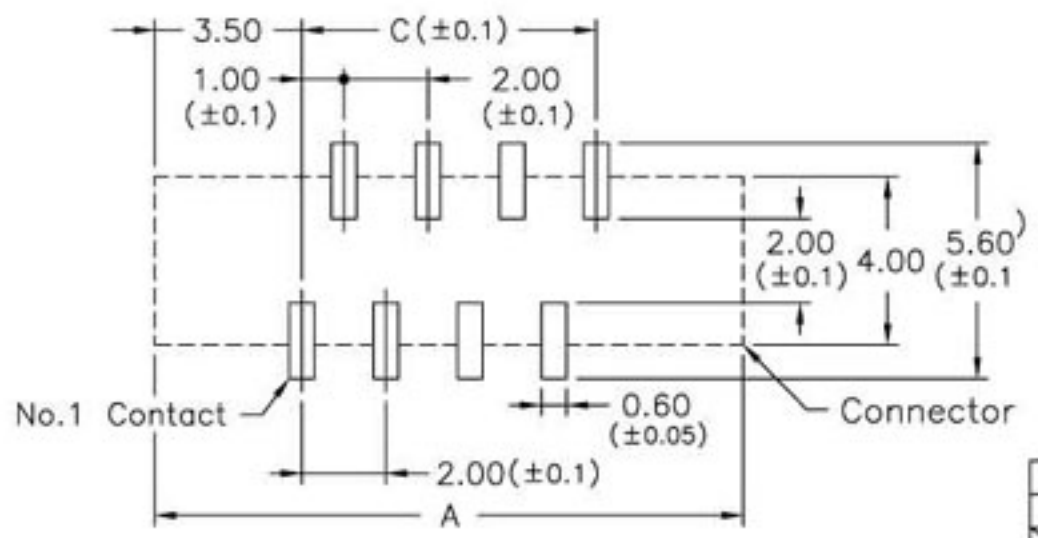
3.PART NO.  
BL106T- xx S-xx xx

- 00-TIN/LEAD OVER NICKEL
- ND-TIN(LEAD FREE)OVER NICKEL
- 1G-1U" GOLD OVER NICKEL
- 3G-3U" GOLD OVER NICKEL
- PACKAGING
- TA-EMBOSSED TAPE
- TU-TUBE
- STRAIGHT
- NO. OF CONTACTS

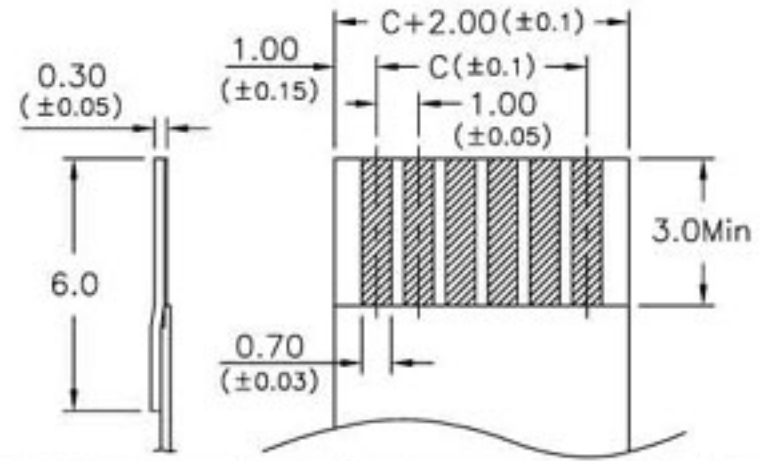
- 4.RATING:  
OPERATING VOLTAGE:50V  
CURRENT RATING:0.5A  
OPERATING TEMPERATURE:-55°C ~ +85°C



PCB Layout

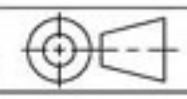


Applicable FPC



No. of Contacts	Part Number	Dimensions		
		A	B	C
4	BL106T-04S	10.00	5.20	3.00
5	BL106T-05S	11.00	6.20	4.00
6	BL106T-06S	12.00	7.20	5.00
7	BL106T-07S	13.00	8.20	6.00
8	BL106T-08S	14.00	9.20	7.00
9	BL106T-09S	15.00	10.20	8.00
10	BL106T-10S	16.00	11.20	9.00
11	BL106T-11S	17.00	12.20	10.00
12	BL106T-12S	18.00	13.20	11.00
13	BL106T-13S	19.00	14.20	12.00
14	BL106T-14S	20.00	15.20	13.00
15	BL106T-15S	21.00	16.20	14.00
16	BL106T-16S	22.00	17.20	15.00
17	BL106T-17S	23.00	18.20	16.00
18	BL106T-18S	24.00	19.20	17.00
19	BL106T-19S	25.00	20.20	18.00
20	BL106T-20S	26.00	21.20	19.00
21	BL106T-21S	27.00	22.20	20.00
22	BL106T-22S	28.00	23.20	21.00
23	BL106T-23S	29.00	24.20	22.00
24	BL106T-24S	30.00	25.20	23.00
25	BL106T-25S	31.00	26.20	24.00
26	BL106T-26S	32.00	27.20	25.00
27	BL106T-27S	33.00	28.20	26.00
28	BL106T-28S	34.00	29.20	27.00
29	BL106T-29S	35.00	30.20	28.00
30	BL106T-30S	36.00	31.20	29.00
31	BL106T-31S	37.00	32.20	30.00
32	BL106T-32S	38.00	33.20	31.00

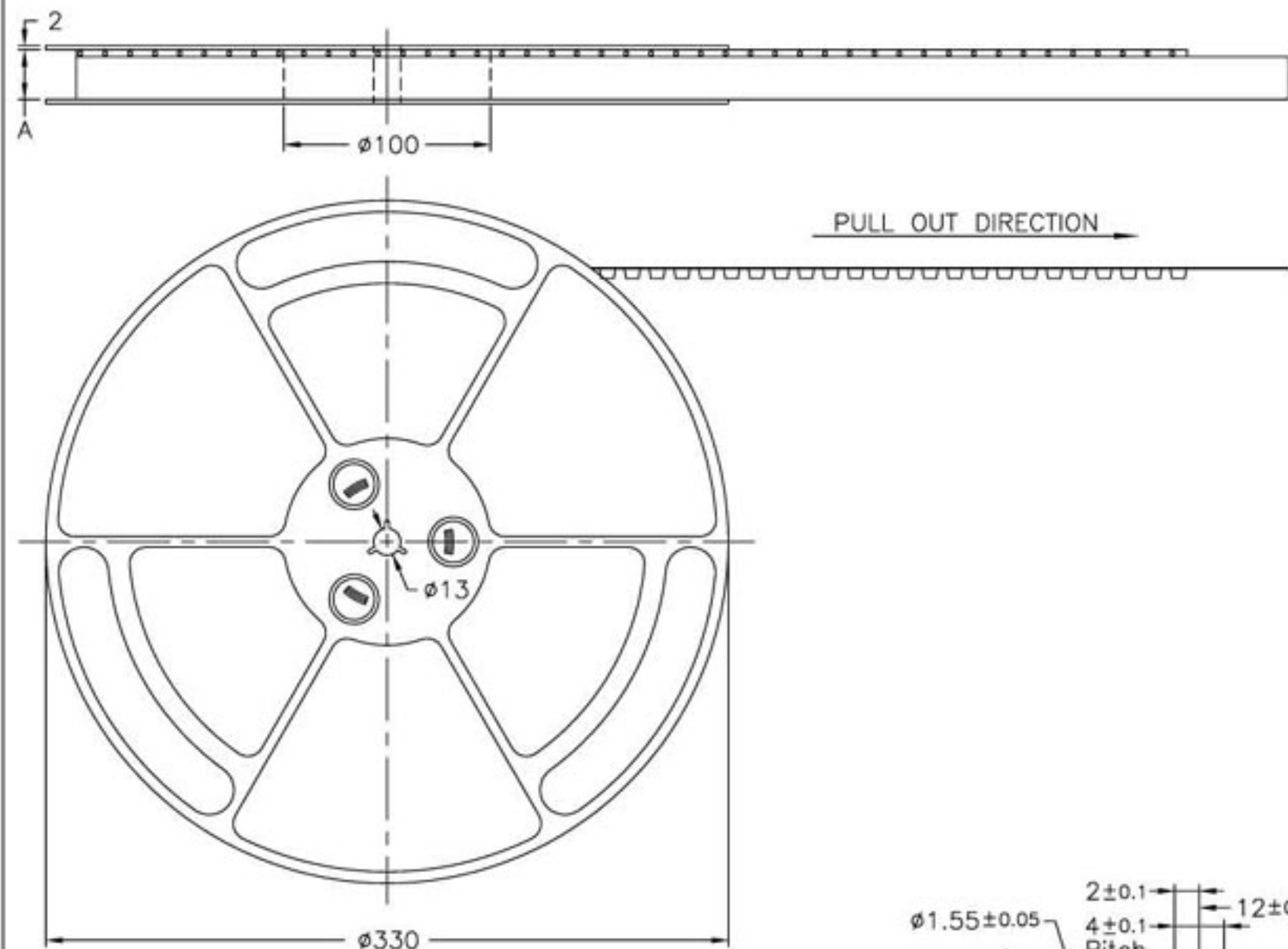
TOLERANCE UNLESS SPECIFIED	REV.	B	DR. BY	Bonnie Li	MATERIAL	See Note 1.	
LINEAR	ANGLE	SHEET	1/2	CHK. BY	S.T.Lin	FINISH	See Note 1.
.X	.X	SCALE	4/1	APP. BY	S.T.Lin	DATE	5/30/2001
.XX	.X	UNIT	mm			PART NO.	See Note 2.
.XXX							



TITLE 1.0mm Pitch FPC/FFC Connector  
DWG NO. D/BOOK/BOOK/BL106T/HP

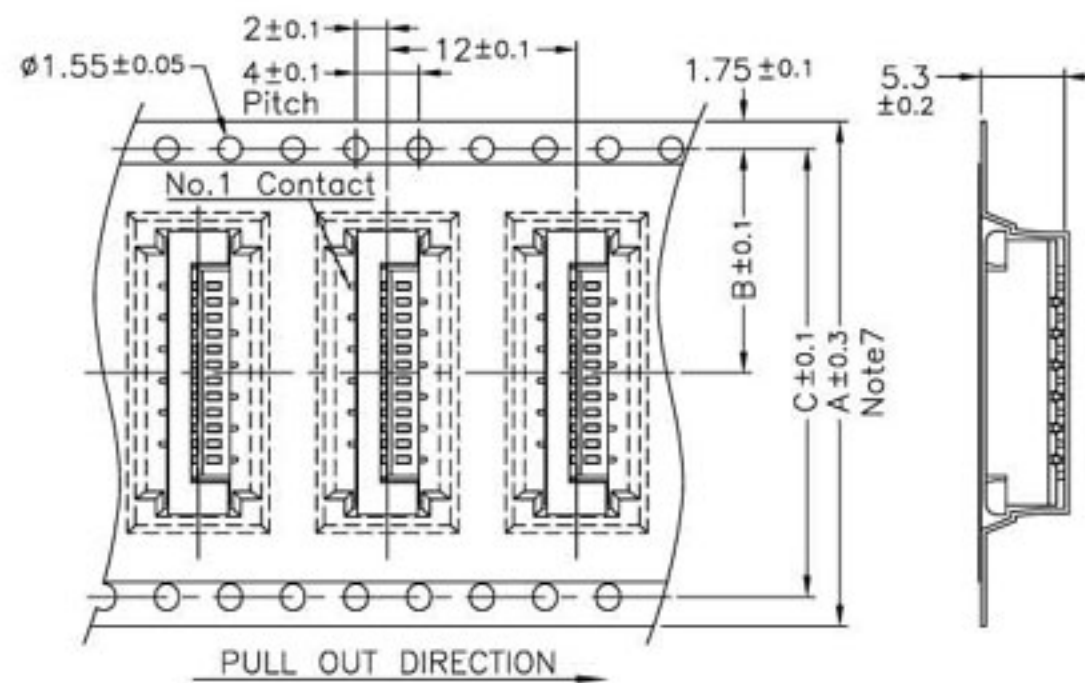
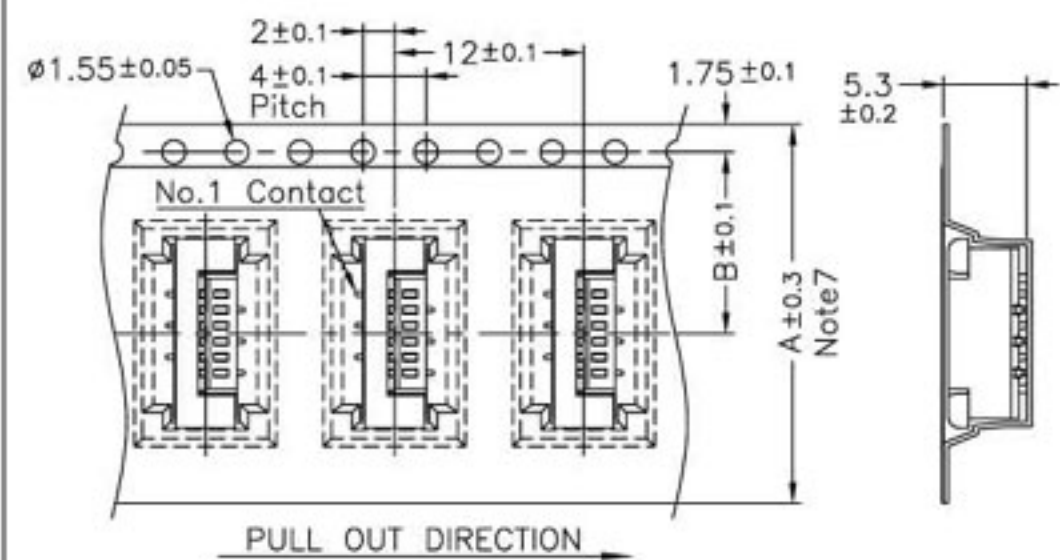
# EMBOSSED TAPE PACKING BL106T SERIES S TYPE

REV.	ECN NO.	DATE
A	RELEASED	5/30/2001
B	411003	11/3/2004



**Note:**

- 1.10 sprocket hole pitch cumulative tolerance  $\pm 0.2$ .
2. Carrier camber is within 1 mm in 250mm.
3. Material : Black Conductive Polystyrene Alloy
4. All dimensions meet EIA-481-B requirements.
5. Thickness :  $0.35 \pm 0.05$ mm
6. Component load per 13" reel : 1000 pcs.
7. For tape width (dimension A) 24mm a pilot hole is provided on one side.  
For tape width (dimension A) 32mm and 44,56mm pilot holes are provided on both sides.



No. of Contacts	Part Number	DIM. A Note7	DIM. B	DIM. C
4	BL106T-04S	24	11.5	—
9	BL106T-09S			
10	BL106T-10S	32	14.2	28.4
14	BL106T-14S			
15	BL106T-15S	44	20.2	40.4
26	BL106T-26S			
27	BL106T-27S	56	26.2	52.4
32	BL106T-32S			

TOLERANCE UNLESS SPECIFIED		REV.	B	DR. BY	Bonnie Li	MATERIAL	See Note3
LINEAR	ANGLE	SHEET	2/2	CHK. BY	S.T.Lin	FINISH	
.X	.X	SCALE		APP. BY	S.T.Lin	DATE	5/30/2001
.XX	.X	UNIT	mm			PART NO.	BL106T-xxS
.XXX							



TITLE 1.0mm Pitch FPC/FFC Connector  
 DWG NO. D/BOOK/BOOK/BL106T/HP