

**MATERIAL**

INSULATOR: GLASS-REINFORCED THERMOPLASTIC.  
 CONTACT: PHOSPHOR BRONZE.  
 PLATING: ALL TIN, LEAD FREE.

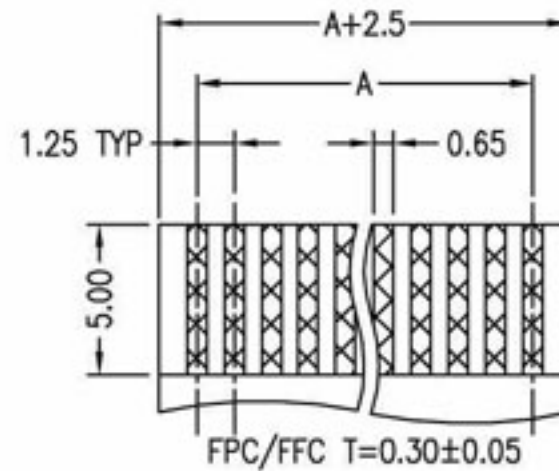
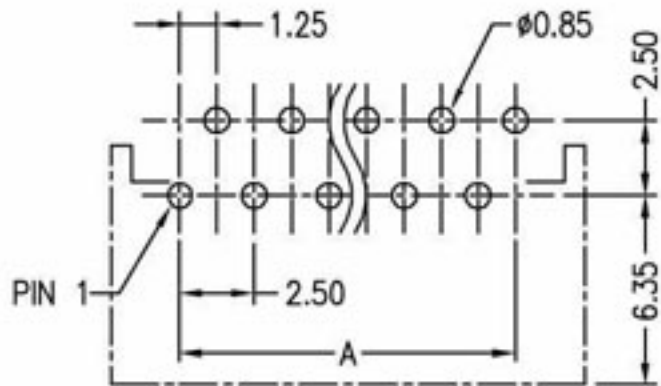
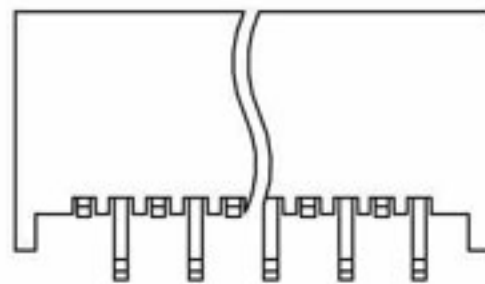
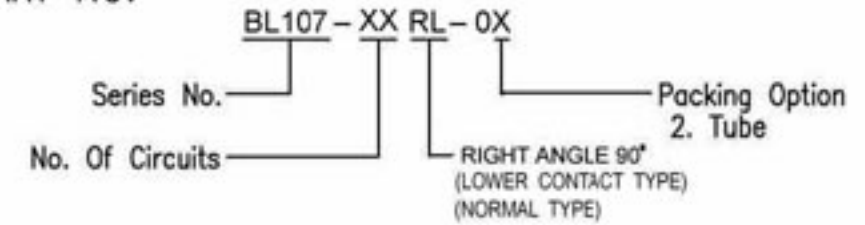
**SPECIFICATION**

VOLTAGE RATING: 250 VAC RMS.  
 CURRENT RATING: 1 AMP.  
 DIELECTRIC WITHSTANDING VOLTAGE: 1000 VAC RMS 60 Hz.  
 FOR 1 MINUTE.  
 INSULATION RESISTANCE: 5000 MEGOHMS MIN AT 500 VDC.  
 CONTACT RESISTANCE: 25 MILLIOHMS MAX.  
 DURABILITY: 20 CYCLES.

**ENVIRONMENTAL**

TEMPERATURE RANGE: -55°C TO +85°C.

**PART NO.**



Circuit	Dimension			Circuit	Dimension		
	A	B	C		A	B	C
4	3.75	6.30	8.40	21	25.00	27.55	29.65
5	5.00	7.55	9.65	22	26.25	28.80	30.90
6	6.25	8.80	10.90	23	27.50	30.05	32.15
7	7.50	10.05	12.15	24	28.75	31.30	33.40
8	8.75	11.30	13.40	25	30.00	32.55	34.65
9	10.00	12.55	14.65	26	31.25	33.80	35.90
10	11.25	13.80	15.90	27	32.50	35.05	37.15
11	12.50	15.05	17.15	28	33.75	36.30	38.40
12	13.75	16.30	18.40	29	35.00	37.55	39.65
13	15.00	17.55	19.65	30	36.25	38.80	40.90
14	16.25	18.80	20.90	31	37.50	40.05	42.15
15	17.50	20.05	22.15	32	38.75	41.30	43.40
16	18.75	21.30	23.40	33	40.00	42.55	44.65
17	20.00	22.55	24.65	34	41.25	43.80	45.90
18	21.25	23.80	25.90	35	42.50	45.05	47.15
19	22.50	25.05	27.15	36	43.75	46.30	48.40
20	23.75	26.30	28.40				

**STANDARD PCB LAYOUT**

REV	ECN NO.	NAME	DATE	TOLERANCE	
E		Willson	May,25,2006	LINEAR	ANGLES
D		Willson	May,19,2005	X.±0.40	X'±
C		Willson	Feb,28,2005	.X±0.30	.X'±
B	93038	Willson	Dec,30,2004	.XX±0.20	.XX'±
				.XXX±0.10	.XXX'±

RoHS Compliant

APPD:	Jason	MAT'L:	
CHKD:	Schumi	FINISH:	
DRWN:	Willson	Q'TY:	

TITLE: FPC/FFC 1.25 PITCH NON ZIF SIDE ENTRY LOWER CONTACT

PART NO. BL107-XX RL  
 DWG NO. BL107-XX RL

UNITS	SCALE	SHEET	REV
			E

CUSTOMER