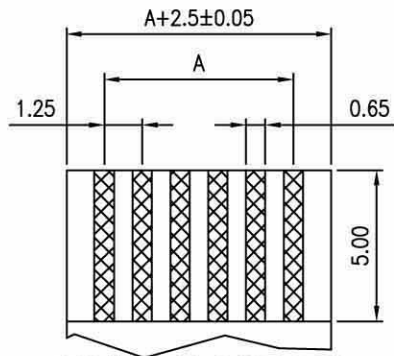


TOLERANCES: ±0.05
RECOMMENDED PCB LAYOUT



FPC/FFC T=0.30±0.05

MATERIAL
INSULATOR: GLASS-REINFORCED THERMOPLASTIC.
CONTACT: COPPER ALLOY.
PLATING: ALL TIN, LEAD FREE.

ELECTRICAL
CURRENT RATING: 0.5 AMP.
DIELECTRIC WITHSTANDING VOLTAGE: 500 VAC MIN.
INSULATION RESISTANCE: 1000 MEGAOHMS MIN.
CONTACT RESISTANCE: 30 MILLIOHMS MAX.

ENVIRONMENTAL
TEMPERATURE RANGE: -55°C TO 85°C.

PART NO.
BL101-X X AS -0X
Series No. Packing Option
 2. Tube
No. Of Circuits 4. Tape And Reel
 5. Tape And Tube
 6. Reel

STRAIGHT 180°
(STANDARD TYPE)
(NORMAL TYPE)

DIMENSION TABLE

Circuits	Dimension				Circuits	Dimension			
	A	B	C	L		A	B	C	L
3	2.50	5.05	7.15	4	21	25.00	27.55	29.65	12
4	3.75	6.30	8.40		22	26.25	28.80	30.90	
5	5.00	7.55	9.65		23	27.50	30.05	32.15	
6	6.25	8.80	10.90		24	28.75	31.30	33.40	
7	7.50	10.05	12.15	8	25	30.00	32.55	34.65	
8	8.75	11.30	13.40		26	31.25	33.80	35.90	
9	10.00	12.55	14.65		27	32.50	35.05	37.15	
10	11.25	13.80	15.90		28	33.75	36.30	38.40	
11	12.50	15.05	17.15	12	29	35.00	37.55	39.65	
12	13.75	16.30	18.40		30	36.25	38.80	40.90	
13	15.00	17.55	19.65		31	37.50	40.05	42.15	
14	16.25	18.80	20.90		32	38.75	41.30	43.40	
15	17.50	20.05	22.15		33	40.00	42.55	44.65	
16	18.75	21.30	23.40		34	41.25	43.80	45.90	
17	20.00	22.55	24.65		35	42.50	45.05	47.15	
18	21.25	23.80	25.90		36	43.75	46.30	48.40	
19	22.50	25.05	27.15						
20	23.75	26.30	28.40						

RoHS Compliant				TOLERANCE		TITLE: FPC/FFC 1.25 PITCH NON ZIF TOP ENTRY DUAL CONTACT SMT TYPE - STANDARD PCB LAYOUT						
F	E	D	REV	LINEAR	ANGLES	PART NO.		DWG NO.	UNITS	SCALE	SHEET	REV
Willson	Willson	Willson	ECN NO.	X.±0.40	X°.±	BL101-XX AS		BL101-XX AS	MM	1 : 1	1 OF 1	F
May.25.2006	Feb.28.2005	Dec.30.2004	NAME	.X±0.30	.X°.±	APPD:	JASON	MAT'L:				
			DATE	.XX±0.20	.XX°.±	CHKD:	SCHUMI	FINISH:				
				.XXX±0.10	.XXX°.±	DRWN:	WILLSON	Q'TY:				