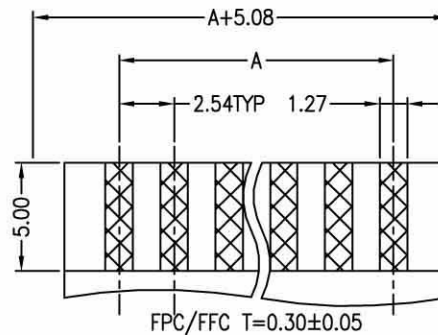


TOLERANCES: ±0.05

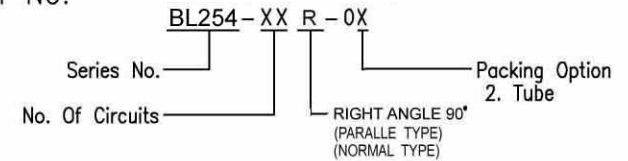


■ MATERIAL
 INSULATOR: GLASS-REINFORCED THERMOPLASTIC.
 CONTACT: PHOSPHOR BRONZE.
 PLATING: ALL TIN, LEAD FREE.

■ SPECIFICATION
 VOLTAGE RATING: 250 VAC RMS.
 CURRENT RATING: 1 AMP.
 DIELECTRIC WITHSTANDING VOLTAGE: 1000 VAC RMS 60 Hz.
 FOR 1 MINUTE.
 INSULATION RESISTANCE: 5000 MEGOHMS MIN AT 500 VDC.
 CONTACT RESISTANCE: 25 MILLIOHMS MAX.
 DURABILITY: 20 CYCLES.

■ ENVIRONMENTAL
 TEMPERATURE RANGE: -55°C TO +85°C.

■ PART NO.



Circuit	Dimension			Circuit	Dimension		
	A	B	C		A	B	C
2	2.54	8.43	10.54	15	35.56	41.45	43.56
3	5.08	10.97	13.08	16	38.10	43.99	46.10
4	7.62	13.51	15.62	17	40.64	46.53	48.64
5	10.16	16.05	18.16	18	43.18	49.07	51.18
6	12.70	18.59	20.70	19	45.72	51.60	53.72
7	15.24	21.13	23.24	20	48.26	54.15	56.26
8	17.78	23.67	25.78	21	50.80	56.69	58.80
9	20.32	26.21	28.32	22	53.34	59.23	61.34
10	22.86	28.75	30.86	23	55.88	61.77	63.88
11	25.40	31.29	33.40	24	58.42	64.31	66.42
12	27.94	33.83	35.94	25	60.96	66.85	68.96
13	30.48	36.37	38.48	26	63.50	69.39	71.50
14	33.02	38.91	41.02	27	66.04	71.93	74.04

RECOMMENDED PCB LAYOUT

RoHS Compliant				TOLERANCE		TITLE: FPC/FFC 2.54 PITCH NON ZIF SIDE ENTRY DUAL CONTACT	
				LINEAR	ANGLES		
F		Willson	May.25.2006	X.±0.40	X*±	PART NO. BL254-XX R	
E		Willson	Feb.28.2005	.X±0.30	.X*±	APPD: Jason	MAT'L:
D	93038	Willson	Dec.30.2004	.XX±0.20	.XX*±	CHKD: Schumi	FINISH:
REV	ECN NO.	NAME	DATE	.XXX±0.10	.XXX*±	DRWN: Willson	Q'TY:

	UNITS	SCALE	SHEET	REV
	MM	4 : 1	1 OF 1	F

CUSTOMER