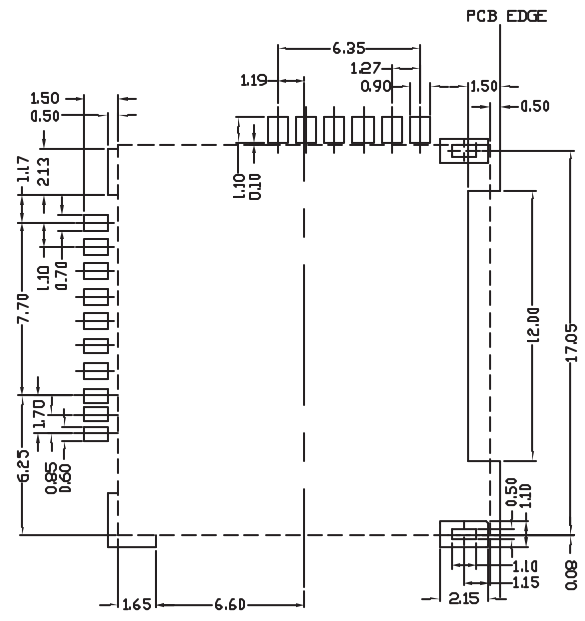
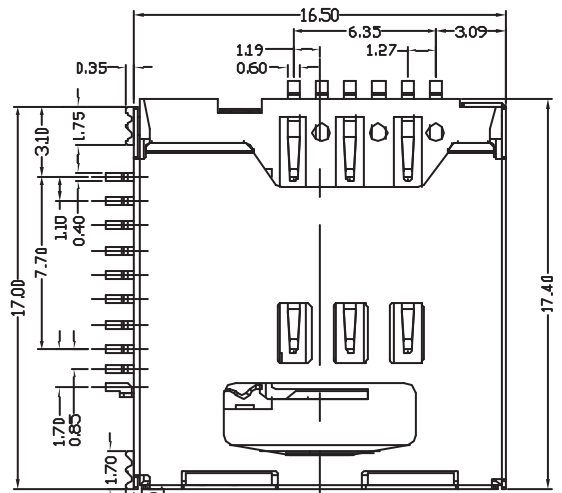
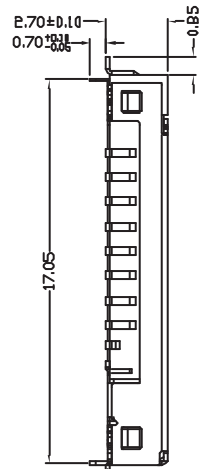
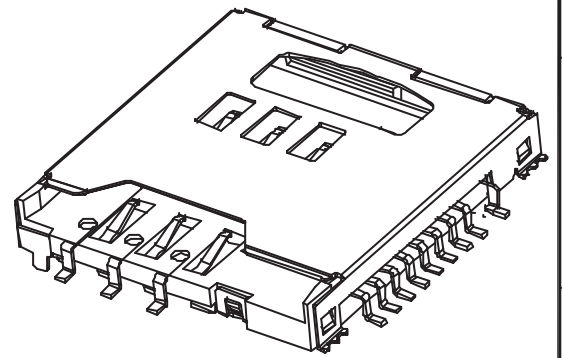
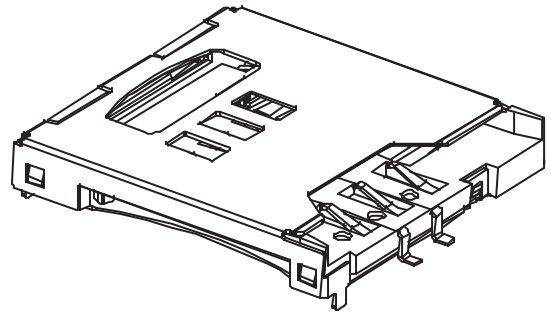
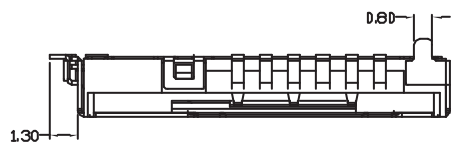


1 2 3 4 5 6 7 8

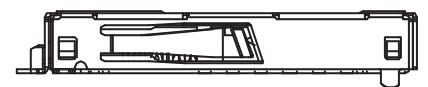
REV	MODIFICATION	DATE	DRAW



NOTES:
 1.ELECTRICAL:
 VOLTAGE:100V AC
 CURRENT:0.5A MAX
 CONTACT RESISTANCE:40MΩ MAX
 VOLTAGE PROOF:500V AC
 INSULATION RESISTANCE:1000MΩ MIN
 MECHANICAL:
 CARD INSERTION/WITHDRAWAL
 FORCE:13.8N MAX
 PUSH IN STRENGTH:19.6N
 DURABILITY:10000CYCLES
 PRODUCT NO:
 AIO2X-216 XX B000

PLATING

RECOMMENDED PCB
 SCALE: 1:1



F
E
D
C
B
A

F
E
D
C
B
A

DIMENSION IN mm [Inch]		PROD. SPEC.	ALMITA CO., LTD.	
TOLERANCE UNLESS OTHERWISE SPECIFIED		PKG. SPEC.	TITLE TFLASH+SIM CARD CUSTOMER DRAWING	
.X±0.10	X'± 2'	APPROVE	FILE NO.	DWG NO. AIO2X-216XXB000
.XX±0.05	.X'±	CHECK	SIZE A4	PROJ. SHEET 1 / 1
.XXX±	.XX'±	DRAW	SCALE 3:1	REV A

1 2 3 4 5 6 7 8 8F-01-R10