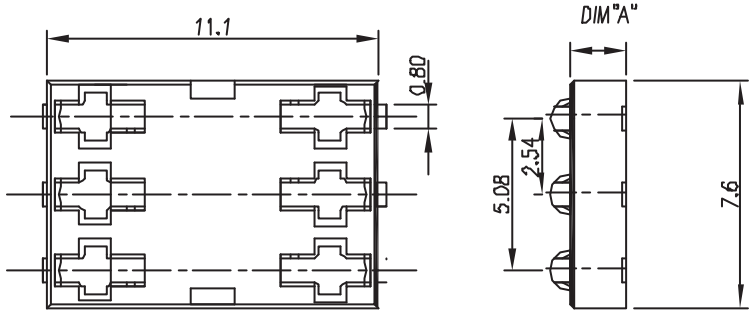


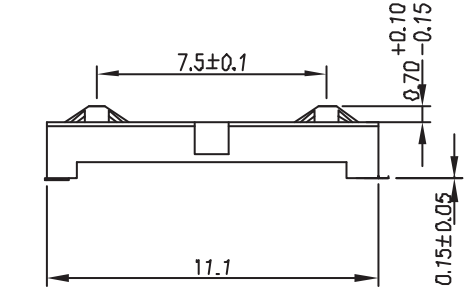
1 2 3 4 5 6 7 8

REV	MODIFICATION	DATE	DRAW

F
E
D
C
B
A

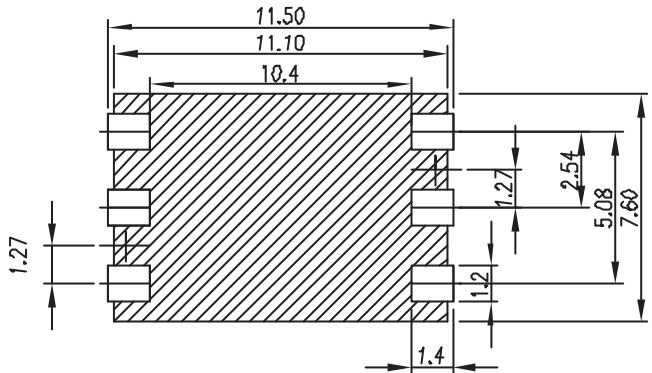


DIMENSIONS: 11.10L*7.60W*1.50Hmm



- SPECIFICATION:**
1. Durability: 100,000 cycle min
 2. Contact resistance: 50 megohms typical, *00 megohms
 3. Insulation resistance Pin to pin: >1000 megohms/500Vdc
 4. Dielectric withstanding voltage : 500V AC rms 1min. (sea level)
 5. Operating temperature: -40°~+85°C

- MATERIAL:**
1. Data Contacts Material: Phosphor bronze
 2. Data Contacts Plating : Gold or Pd over Nickel
 3. Insulation material: Thermoplastic, UL 94V-0



PCB LAYOUT

ORDERING INFORMATION :
SIMMP-0060*B005-G

DIMENSION IN mm [Inch]		PROD. SPEC.	ALMITA CO., LTD.	
TOLERANCE UNLESS OTHERWISE SPECIFIED		PKG. SPEC.	TITLE SIM CARD CONNECTOR CUSTOMER DRAWING	
.X±D.30	X.*±	APPROVE	FILE NO.	DWG NO. SIMMP-00601B005-G
.XX±D.20	.X.*±	CHECK	SIZE A4	PROJ. SHEET 1 / 1
.XXX±D.10	.XX.*±	DRAW	SCALE 4:1	REV A

1 2 3 4 5 6 7 8 8F-06-R02