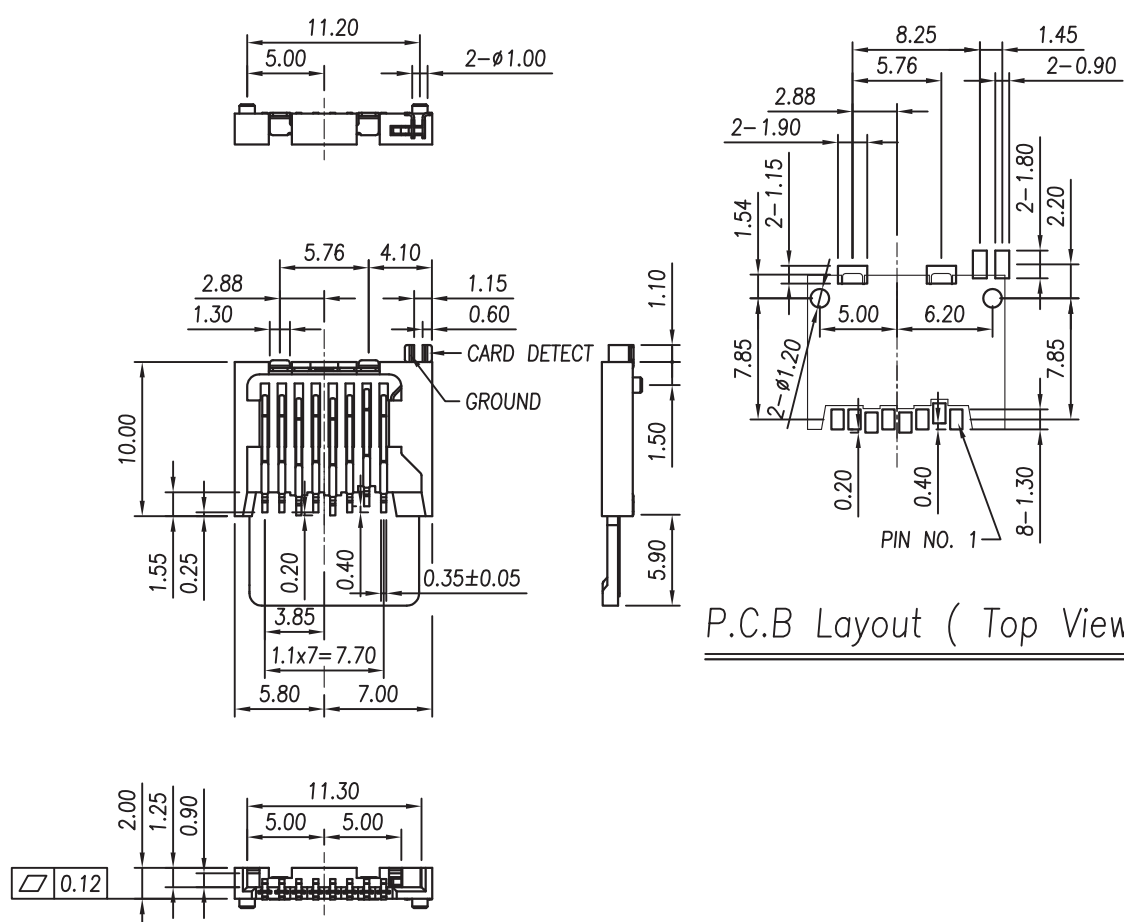


REV	MODIFICATION	DATE	DRAW



P.C.B Layout ( Top View )

NOTES:  
 1.Material:  
 Housing:Thermoplastic UL94V-0  
 Color:Black  
 Contact:Phosphor Bronze.  
 Tin 100u" at Solder Tail,See  
 "Ordering Information" for Contact  
 Area Plating

Ordering Information:  
**TFAMF-111XXBTOX**  
 PACKAGE TYPE :  
 0 : TRAY  
 1 : TAPE REEL  
 Contact Area Plating:  
 Comply to RoHS

DIMENSION IN mm [Inch]		PROD. SPEC.	ALMITA CO., LTD.	
TOLERANCE UNLESS OTHERWISE SPECIFIED		SP-0102	Micro SD Card Connector	
		PKG. SPEC.	Manual Type	
		PPP-TFA-001	CUSTOMER DRAWING	
		APPROVE	FILE NO. KFP-102	DWG NO. TFAMF-111XXBXXX
		CHECK	SIZE <b>A4</b>	
		DRAW	PROJ.	SHEET 1 / 1
			SCALE 2:1	REV A

PIN	NAME
1	DAT2
2	CD/DAT3
3	CMD
4	VDD
5	CLK
6	VSS2
7	DAT0
8	DAT1