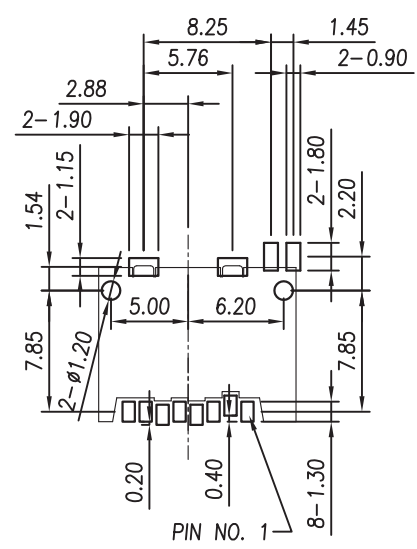
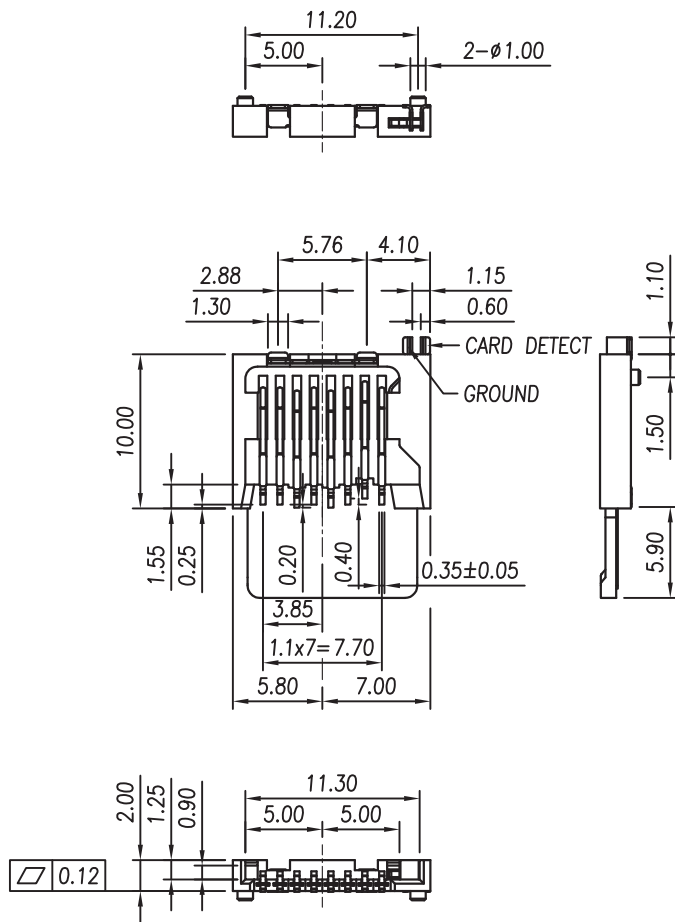


1 2 3 4 5 6 7 8

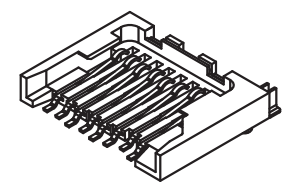
REV	MODIFICATION	DATE	DRAW

F
E
D
C
B
A

F
E
D
C
B
A



P.C.B Layout (Top View)



NOTES:

- 1. Material:
 - Housing: Thermoplastic UL94V-0
 - Color: Black
 - Contact: Phosphor Bronze.
 - Tin 100u" at Solder Tail, See "Ordering Information" for Contact Area Plating

Ordering Information:
TFAMF-111XXBTOX
 PACKAGE TYPE :
 0 : TRAY
 1 : TAPE REEL
 Contact Area Plating:
 Comply to RoHS

DIMENSION IN mm [Inch]		PROD. SPEC.	ALMITA CO., LTD.	
TOLERANCE UNLESS OTHERWISE SPECIFIED		SP-0102	Micro SD Card Connector	
		PKG. SPEC. PPP-TFA-001	Manual Type	
		APPROVE	CUSTOMER DRAWING	
		CHECK	FILE NO. KFP-102	DWG NO. TFAMF-111XXBXXX
		DRAW	SIZE A4	PROJ. SHEET 1 / 1
			SCALE 2:1	REV A

PIN	NAME	Micro SD
1	DAT2	
2	CD/DAT3	
3	CMD	
4	VDD	
5	CLK	
6	VSS2	
7	DAT0	
8	DAT1	

1 2 3 4 5 6 7 8 8F-01-R02