

1 2 3 4 5 6 7 8

REV	MODIFICATION	DATE	DRAW

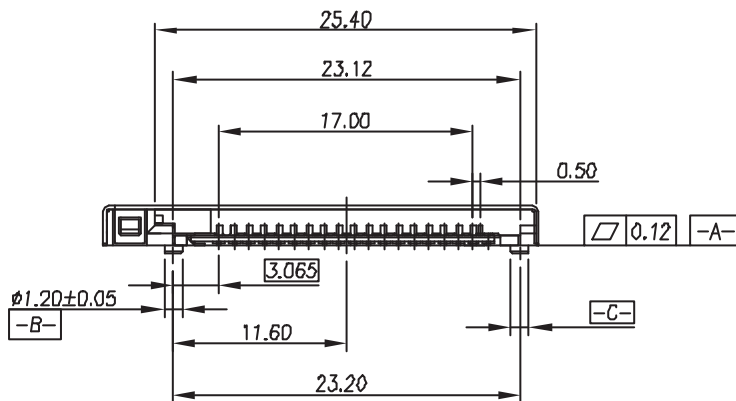
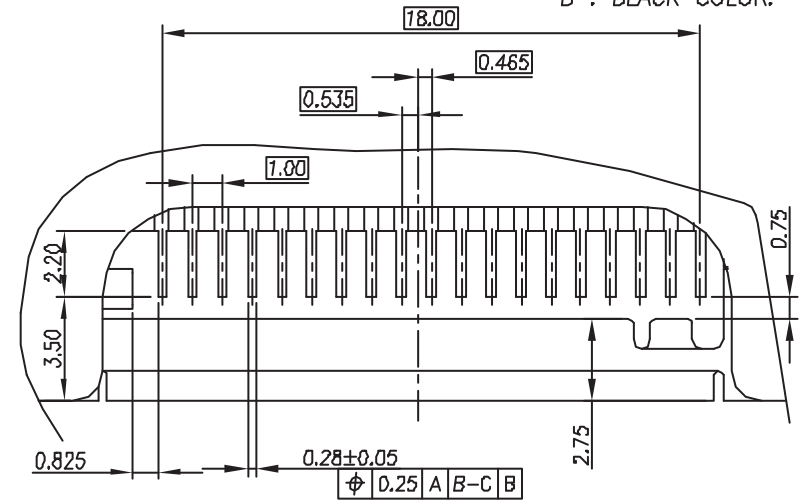
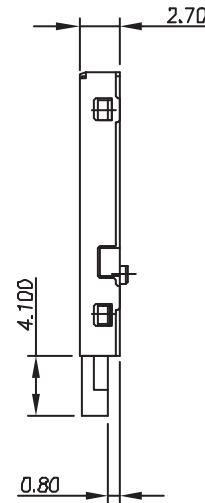
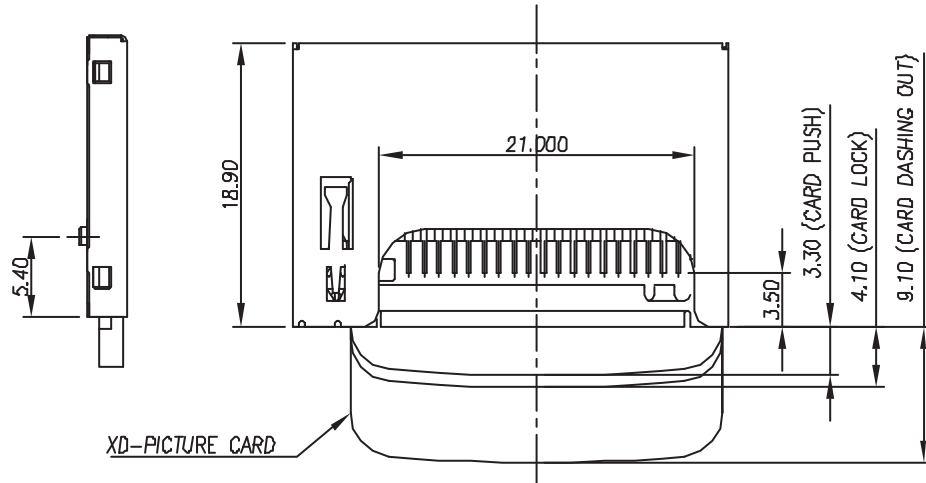
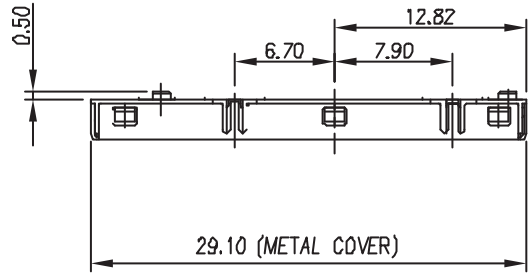
Ordering Information:

XDBMB-019XXXXX0

Contact Area Plating:

- 05-- 5μ" Gold Plating
- 10-- 10μ" Gold Plating
- 15-- 15μ" Gold Plating

- PACKAGE
- 0: TRAY.
- 1: TAPE REEL
- 0: TIN-LEAD 90/10.
- T: LEAD FREE.
- A: NATURAL COLOR
- B: BLACK COLOR.



SOLID TAIL DETAIL
SCALE 2:1

DIMENSION IN mm [Inch]		PROD. SPEC. SP0089	ALMITA CO., LTD.	
TOLERANCE UNLESS OTHERWISE SPECIFIED		PKG. SPEC. PPP-XDA-003	TITLE XD-PICTURE MEMORY CARD PUSH-PUSH CONNECTOR TYPE B	CUSTOMER DRAWING
.X±0.30	X'±	APPROVE	FILE NO. KFP-D89	DWG NO. XDBMB-019XXXXX0
.XX±0.20	.X'±	CHECK	SIZE A4	PROJ. SHEET 1 / 2
.XXX±0.10	.XX'±	DRAW	SCALE 2:1	REV A

F

E

D

C

B

A

F

E

D

C

B

A