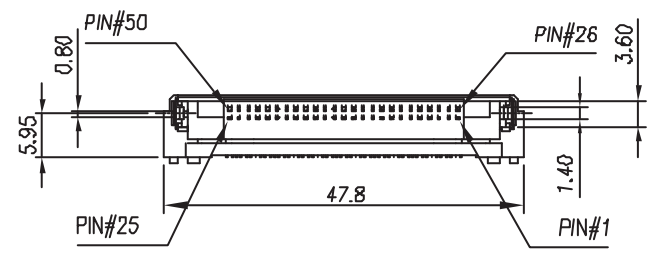
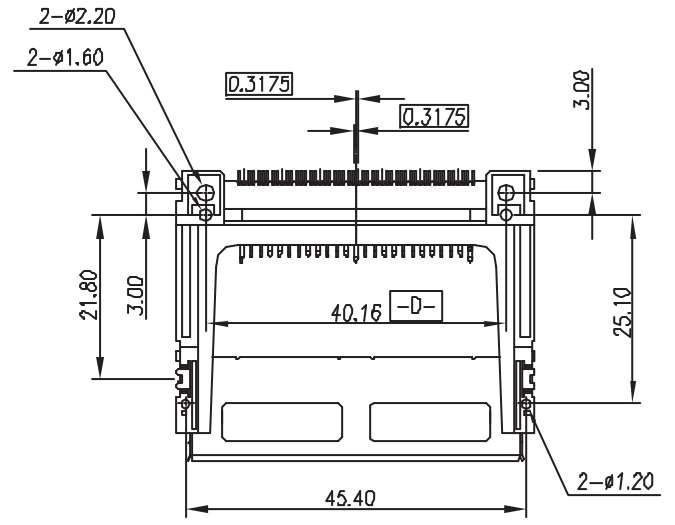
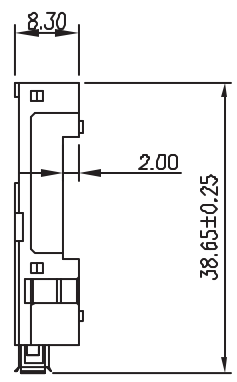
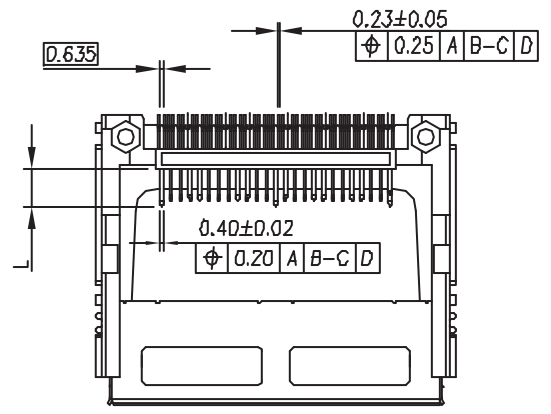
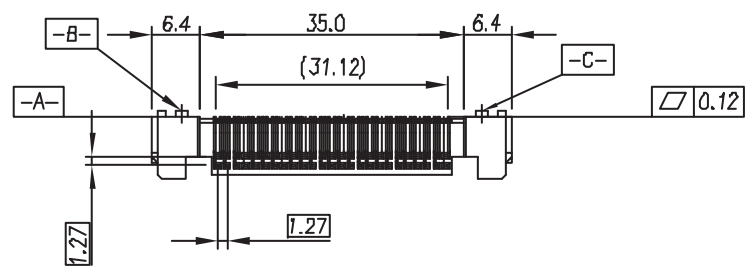
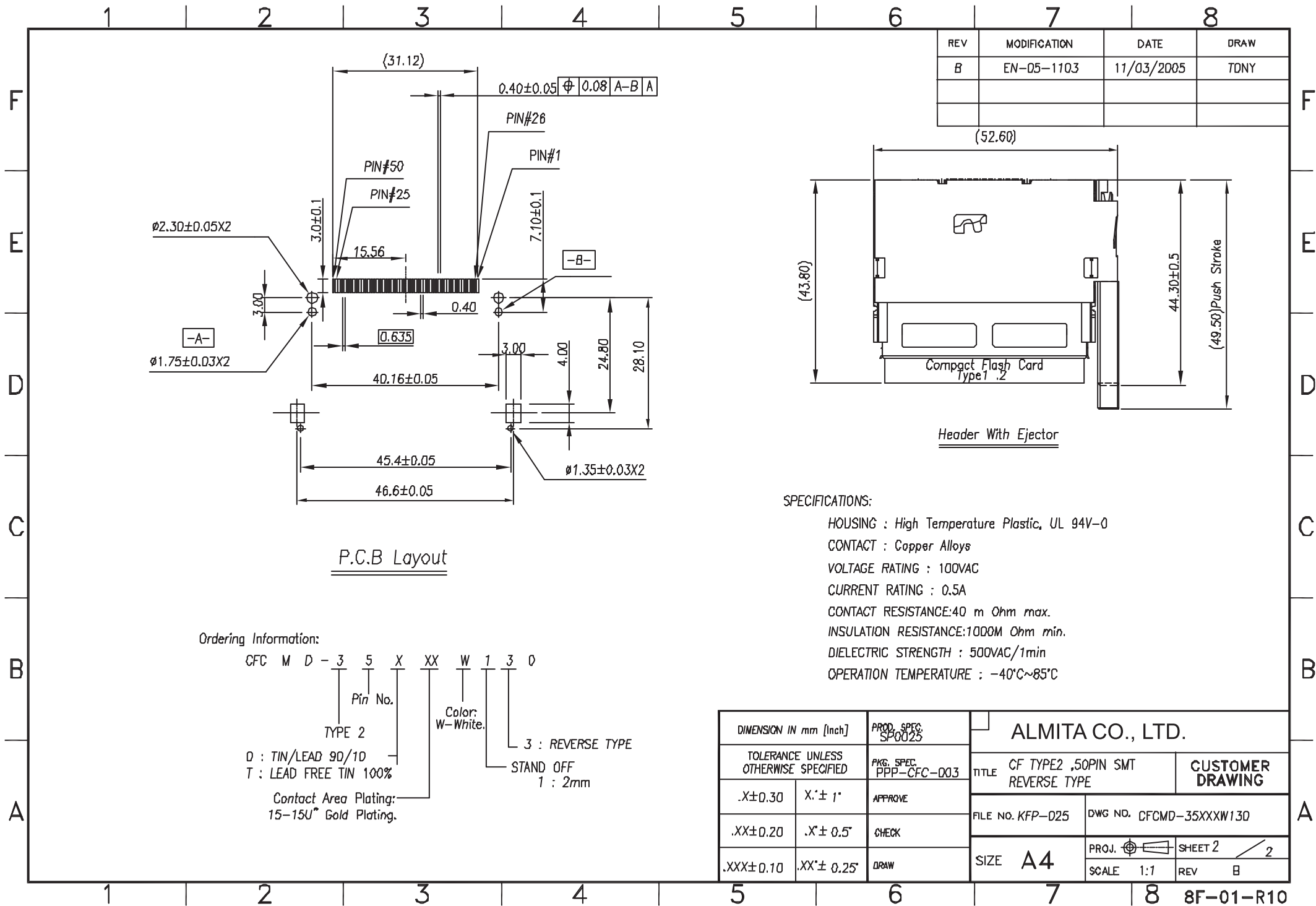


Pin Type	Interface Dim L	Pin Type	REV	MODIFICATION	DATE	DRAW
Detect	3.5 mm	25,26	B	EN-05-1103	11/03/2005	TONY
General	4.25 mm	All Other Pins				
Power	5.0 mm	1,13,38,50				



DIMENSION IN mm [Inch]		PROD. SPEC. SP0025	ALMITA CO., LTD.	
TOLERANCE UNLESS OTHERWISE SPECIFIED		PKG. SPEC. PPP-CFC-003	TITLE CF TYPE2 ,50PIN SMT REVERSE TYPE	CUSTOMER DRAWING
.X±0.30	.X'± 1"	APPROVE	FILE NO. KFP-025	DWG NO. CFCMD-35XXXW130
.XX±0.20	.X'± 0.5"	CHECK	SIZE A4	PROJ. SHEET 1 / 2
.XXX±0.10	.XX'± 0.25"	DRAW	SCALE 1:1	REV B



REV	MODIFICATION	DATE	DRAW
B	EN-05-1103	11/03/2005	TONY

P.C.B Layout

Header With Ejector

SPECIFICATIONS:

- HOUSING : High Temperature Plastic, UL 94V-0
- CONTACT : Copper Alloys
- VOLTAGE RATING : 100VAC
- CURRENT RATING : 0.5A
- CONTACT RESISTANCE:40 m Ohm max.
- INSULATION RESISTANCE:1000M Ohm min.
- DIELECTRIC STRENGTH : 500VAC/1min
- OPERATION TEMPERATURE : -40°C~85°C

Ordering Information:

CFC M D - 3 5 X XX W 1 3 0

Pin No.

TYPE 2

Color: W-White.

3 : REVERSE TYPE

STAND OFF
1 : 2mm

D : TIN/LEAD 90/10

T : LEAD FREE TIN 100%

Contact Area Plating:
15-15U" Gold Plating.

DIMENSION IN mm [Inch]		PROD. SPEC. SP-0025	ALMITA CO., LTD.	
TOLERANCE UNLESS OTHERWISE SPECIFIED		PKG. SPEC. PPP-CFC-003	TITLE CF TYPE2 ,50PIN SMT REVERSE TYPE	CUSTOMER DRAWING
.X±0.30	.X'± 1"	APPROVE	FILE NO. KFP-025	DWG NO. CFCMD-35XXXW130
.XX±0.20	.X'± 0.5"	CHECK	SIZE A4	PROJ. SHEET 2 / 2
.XXX±0.10	.XX'± 0.25"	DRAW	SCALE 1:1	REV B