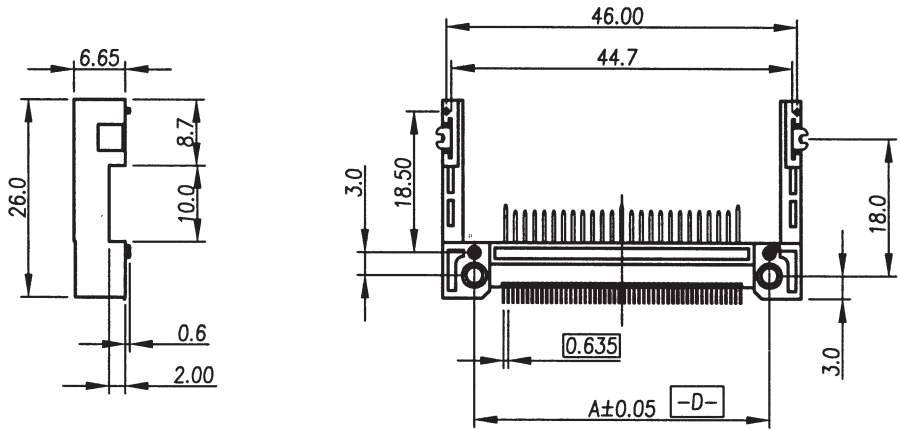
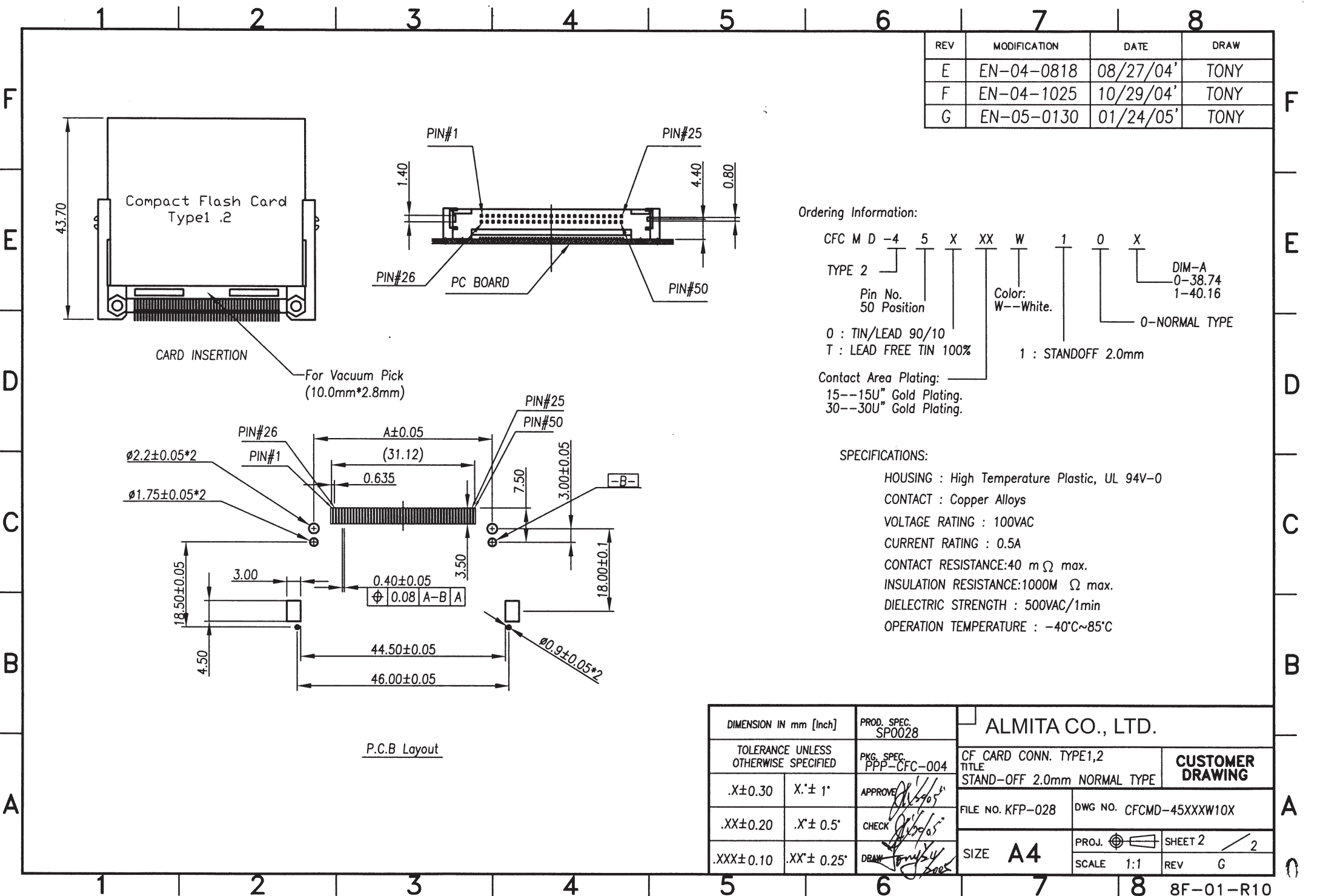


Pin Type	Interface Dim L	Pin Type	REV	MODIFICATION	DATE	DRAW
Detect	3.5 mm	25,26	E	EN-04-0818	08/27/04'	TONY
General	4.25 mm	All Other Pins	F	EN-04-1025	10/29/04'	TONY
Power	5.0 mm	1,13,38,50	G	EN-05-0130	01/24/05'	TONY



DIMENSION IN mm [Inch]		PROD. SPEC SP0028	ALMITA CO., LTD.	
TOLERANCE UNLESS OTHERWISE SPECIFIED		PKG. SPEC PPP-CFC-004	CF CARD CONN. TYPE1,2 TITLE STAND-OFF 2.0mm NORMAL TYPE	CUSTOMER DRAWING
.X±0.30	.X'± 1"	APPROVE <i>[Signature]</i>	FILE NO. KFP-028	DWG NO. CFCMD-45XXXW10X
.XX±0.20	.X'± 0.5"	CHECK <i>[Signature]</i>	SIZE A4	PROJ. ϕ SHEET 1 / 2
.XXX±0.10	.XX'± 0.25"	DRAW <i>[Signature]</i>	SCALE 1:1	REV G



REV	MODIFICATION	DATE	DRAW
E	EN-04-0818	08/27/04'	TONY
F	EN-04-1025	10/29/04'	TONY
G	EN-05-0130	01/24/05'	TONY

Ordering Information:

CFC M D -4 5 X XX W 1 0 X

TYPE 2

Pin No. 50 Position

Color: W--White.

0 : TIN/LEAD 90/10
T : LEAD FREE TIN 100%

1 : STANDOFF 2.0mm

DIM-A
0-38.74
1-40.16

0-NORMAL TYPE

Contact Area Plating:

15--15U" Gold Plating.
30--30U" Gold Plating.

SPECIFICATIONS:

- HOUSING : High Temperature Plastic, UL 94V-0
- CONTACT : Copper Alloys
- VOLTAGE RATING : 100VAC
- CURRENT RATING : 0.5A
- CONTACT RESISTANCE: 40 mΩ max.
- INSULATION RESISTANCE: 1000M Ω max.
- DIELECTRIC STRENGTH : 500VAC/1min
- OPERATION TEMPERATURE : -40°C~85°C

DIMENSION IN mm [Inch]		PROD. SPEC. SPO028	ALMITA CO., LTD.	
TOLERANCE UNLESS OTHERWISE SPECIFIED		PKG. SPEC PPP-CFC-004	CF CARD CONN. TYPE1,2	CUSTOMER DRAWING
.X±0.30	X.'± 1'	APPROVE	TITLE STAND-OFF 2.0mm NORMAL TYPE	
.XX±0.20	.X'± 0.5'	CHECK	FILE NO. KFP-028	DWG NO. CFCMD-45XXXW10X
.XXX±0.10	.XX'± 0.25'	DRAW	SIZE A4	PROJ. SHEET 2 / 2
			SCALE 1:1	REV G