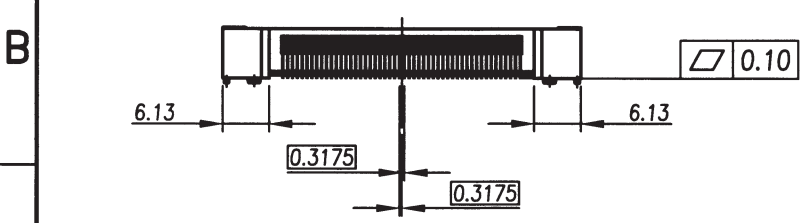
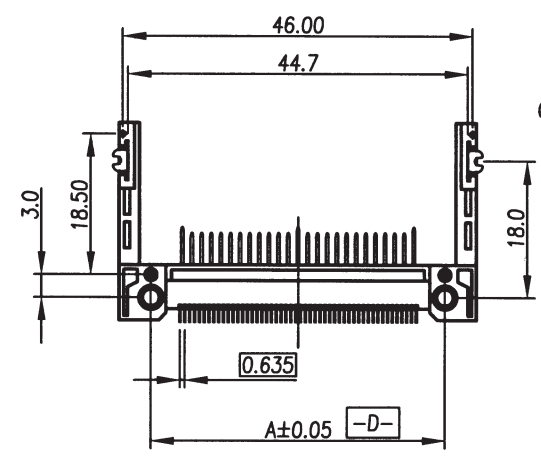
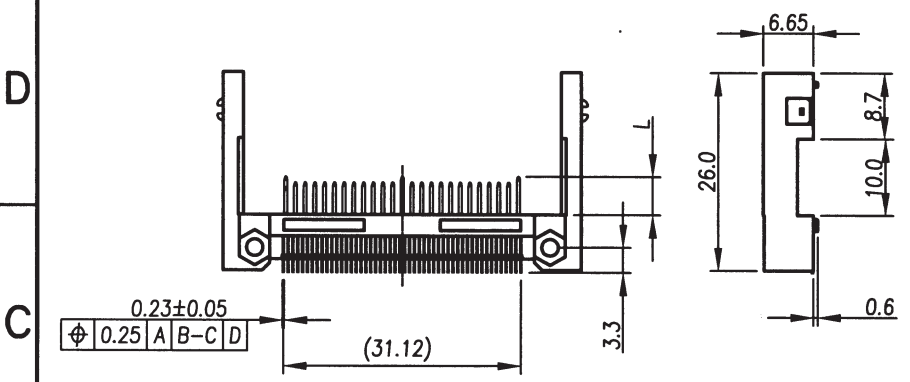
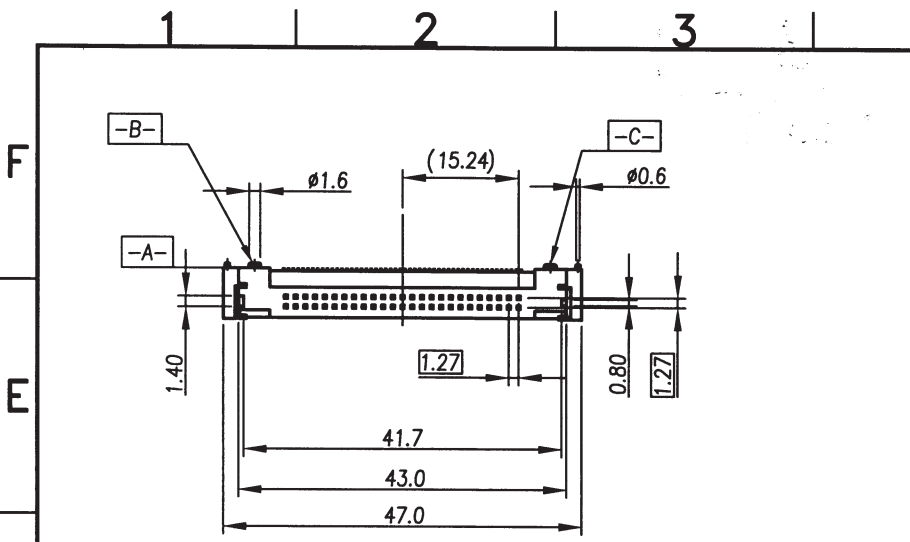


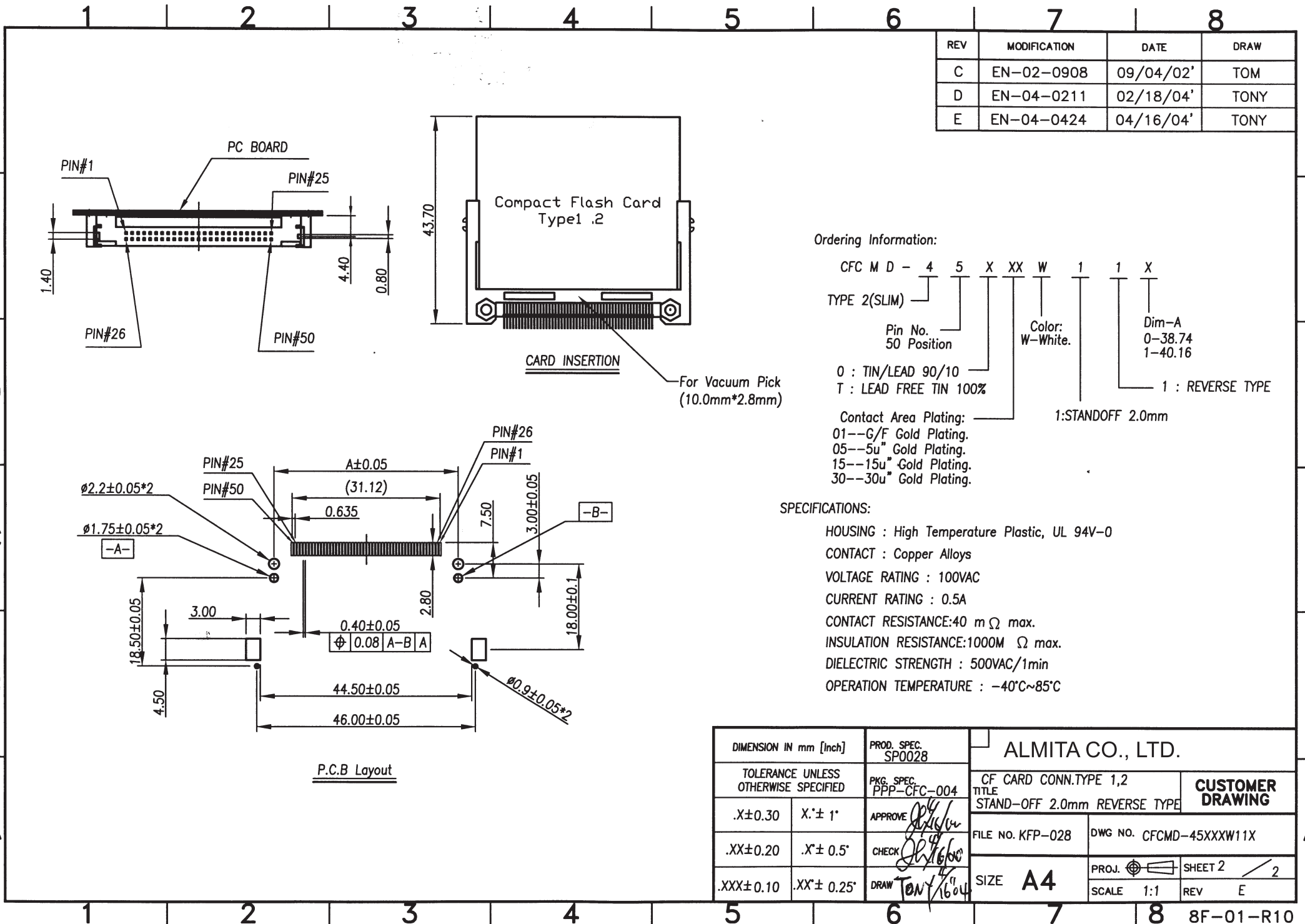
Pin Type	Interface Dim L	Pin Type	REV	MODIFICATION	DATE	DRAW
Detect	3.5 mm	25,26	C	EN-02-0908	09/04/02'	TOM
General	4.25 mm	All Other Pins	D	EN-04-0211	02/18/04'	TONY
Power	5.0 mm	1,13,38,50	E	EN-04-0424	04/16/04'	TONY



Ordering Information:

CFC M D - 4 5 X XX W 1 1 X  
 TYPE 2(SLIM) Pin No. 50 Position Color: W-White. Dim-A 0-38.74 1-40.16  
 0 : TIN/LEAD 90/10 T : LEAD FREE TIN 100% 1 : REVERSE TYPE  
 Contact Area Plating:  
 01--G/F Gold Plating.  
 05--5u" Gold Plating.  
 15--15u" Gold Plating.  
 30--30u" Gold Plating.  
 1:STANDOFF 2.0mm

DIMENSION IN mm [Inch]		PROD. SPEC. SP0028	ALMITA CO., LTD.	
TOLERANCE UNLESS OTHERWISE SPECIFIED		PKG. SPEC. PPP-CFC-004	CF CARD CONN. TYPE 1,2	CUSTOMER DRAWING
.X±0.30	X.'± 1"	APPROVE <i>[Signature]</i>	TITLE STAND-OFF 2.0mm REVERSE TYPE	
.XX±0.20	.X'± 0.5"	CHECK <i>[Signature]</i>	FILE NO. KFP-028	DWG NO. CFCMD-45XXXW11X
.XXX±0.10	.XX'± 0.25"	DRAW TONY 1/16	SIZE A4	PROJ.  SHEET 1 / 2
			SCALE 1:1	REV E



REV	MODIFICATION	DATE	DRAW
C	EN-02-0908	09/04/02'	TOM
D	EN-04-0211	02/18/04'	TONY
E	EN-04-0424	04/16/04'	TONY

Ordering Information:

CFC M D - 4 5 X XX W 1 1 X  
 TYPE 2(SLIM) | Pin No. 50 Position | Color: W-White. | Dim-A 0-38.74 1-40.16  
 0 : TIN/LEAD 90/10 | T : LEAD FREE TIN 100% | 1 : REVERSE TYPE  
 Contact Area Plating:  
 01--G/F Gold Plating.  
 05--5u" Gold Plating.  
 15--15u" Gold Plating.  
 30--30u" Gold Plating.  
 1:STANDOFF 2.0mm

SPECIFICATIONS:

HOUSING : High Temperature Plastic, UL 94V-0  
 CONTACT : Copper Alloys  
 VOLTAGE RATING : 100VAC  
 CURRENT RATING : 0.5A  
 CONTACT RESISTANCE:40 mΩ max.  
 INSULATION RESISTANCE:1000M Ω max.  
 DIELECTRIC STRENGTH : 500VAC/1min  
 OPERATION TEMPERATURE : -40°C~85°C

DIMENSION IN mm [Inch]		PROD. SPEC. SPO028	ALMITA CO., LTD.	
TOLERANCE UNLESS OTHERWISE SPECIFIED		PKG. SPEC. PPP-CFC-004	CF CARD CONN.TYPE 1,2	CUSTOMER DRAWING
.X±0.30	.X'± 1'	APPROVE	STAND-OFF 2.0mm REVERSE TYPE	
.XX±0.20	.X'± 0.5'	CHECK	FILE NO. KFP-028	DWG NO. CFCMD-45XXXW11X
.XXX±0.10	.XX'± 0.25'	DRAW	SIZE A4	PROJ. SHEET 2 / 2
			SCALE 1:1	REV E