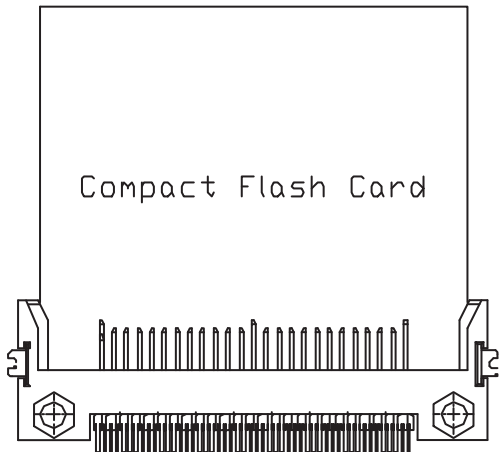


Pin Type	DIM L	Pin Type	REV	MODIFICATION	DATE	DRAW
Detect	3.5 mm	25,26	B	EN-03-1019	10/30/2003	TONY
General	4.25 mm	All Other Pins	C	EN-06-1212	95/12/20	TERENCE
Power	5.0 mm	1,13,38,50				

DIMENSION IN mm [Inch]		PROD. SPEC. SPO057		ALMITA CO., LTD.	
TOLERANCE UNLESS OTHERWISE SPECIFIED		PKG. SPEC. PPP-CFC-001			
.X ± 0.30	X.* ± 1°	APPROVE		CF CARD CONN. TYPE2 ,SLIM NORMAL TYPE	
.XX ± 0.20	.X.* ± 0.5°	CHECK		FILE NO. KFP-057	DWG NO. CFCMD-75TXXB000
.XXX ± 0.10	.XX.* ± 0.25°	DRAW		SIZE <b>A4</b>	PROJ.  SHEET 1 / 2
				SCALE 1:1	REV C

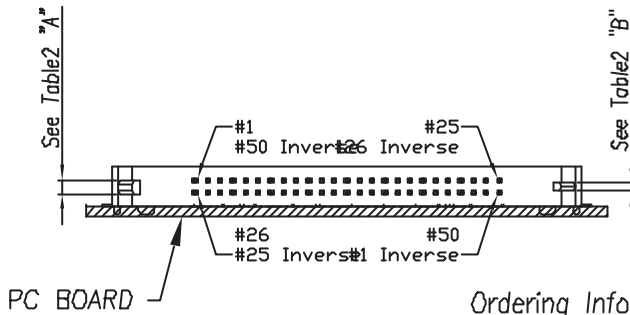
1 2 3 4 5 6 7 8

REV	MODIFICATION	DATE	DRAW



Compact Flash Card

CARD INSERTION



PC BOARD

Ordering Information:

CFZ M D - 7 5 T XX W X 0 0

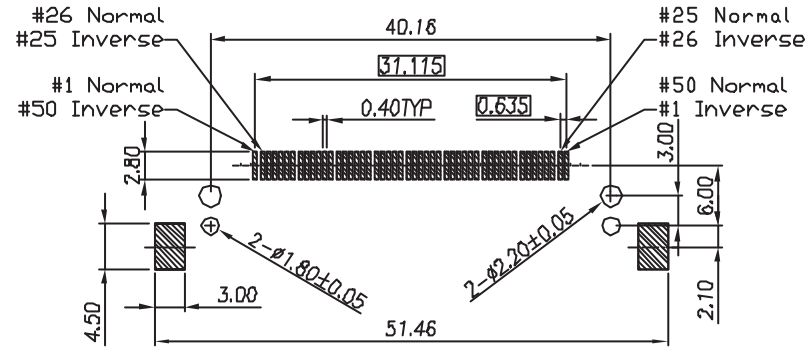
Pin No. 50 Position

Color: W-White.

T : LEAD FREE TIN 100%

3:Normal  
4:Reverse

Contact Area Plating:  
01--G/F Gold Plating.  
05--5u" Gold Plating.  
15--15u" Gold Plating.



RECOMMENDED P.C.B. LAYOUT

MATERIAL  
HOUSING: HIGH TEMPERATURE THERMOPLASTIC.  
CONTACT: COPPER ALLOY.  
PED: BRASS.

PLATING  
CONTACT: UNDERPLATED 50 u" MIN NI.  
CONTACT AREA: SELECTED GOLD OVER NI PLATED.  
SOLDER TAIL: 100 u" MIN Sn/Pb OVER NI PLATED.  
PED: 100 u" MIN Sn/Pb OVER 50 u" MIN NI PLATED.

DIMENSION IN mm [Inch]		PROD. SPEC.	ALMITA CO., LTD.	
TOLERANCE UNLESS OTHERWISE SPECIFIED		PKG. SPEC.	TITLE CF CARD CONN. SLIM TYPE	CUSTOMER DRAWING
.X±0.30	X.'± 1"	APPROVE	FILE NO.	DWG NO. CFZMD-75TXXWX00
.XX±0.20	.X'± 0.5"	CHECK	SIZE A4	PROJ.  SHEET 2 / 2
.XXX±0.10	.XX'± 0.25"	DRAW	SCALE 1:1	REV A

1 2 3 4 5 6 7 8 8F-01-R10