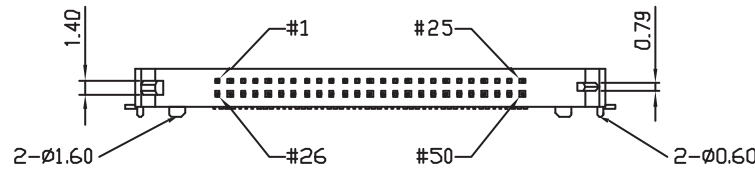
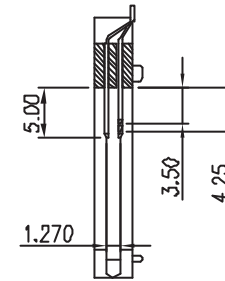
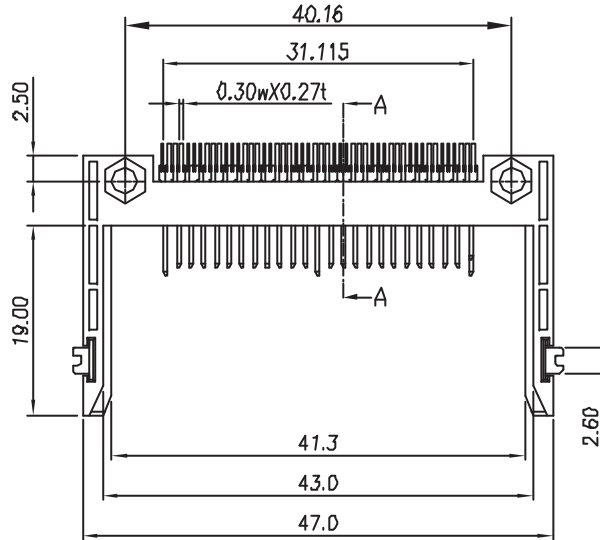
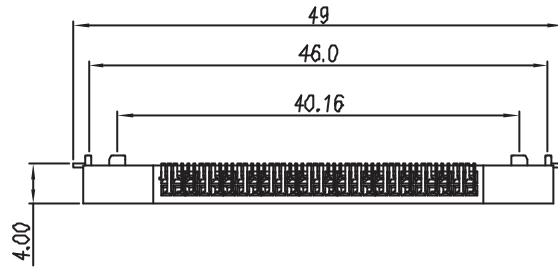
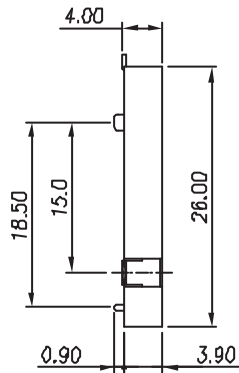


TABLE		
Pin Type	Interface Dim.	Pin No.
Detect	3.5mm	25,26
General	4.25mm	The others
Power	5.0mm	01,13,38,50

REV	MODIFICATION	DATE	DRAW
B	EN-06-0118	95/01/23	TERENCE



DIMENSION IN mm [Inch]		PROD. SPEC.	ALMITA CO., LTD.	
TOLERANCE UNLESS OTHERWISE SPECIFIED		PKG. SPEC.	TITLE	CUSTOMER DRAWING
.X±0.30	X'± 1"	APPROVE	CF CARD CONN. TYPE2 ,SLIM NORMAL TYPE	
.XX±0.20	.X'± 0.5"	CHECK	FILE NO.	DWG NO. CFZMD-55XXXW011
.XXX±0.10	.XX'± 0.25"	DRAW	SIZE A4	PROJ. SHEET 1 / 2
			SCALE 1:1	REV B