

Table 1		
Pin Type	Interface Dim.	Pin No.
Detect	3.50mm (0.138in)	25,26
General	4.25mm (0.167in)	The Others
Power	5.00mm (0.197in)	01,13,38,50

REV	MODIFICATION	DATE	DRAW

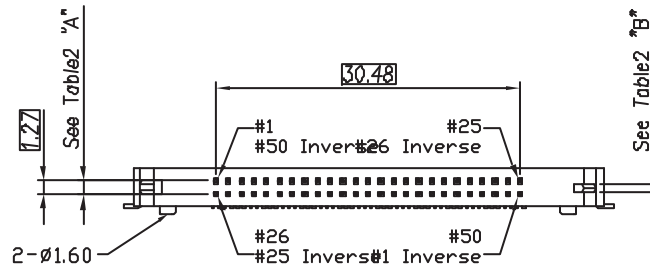
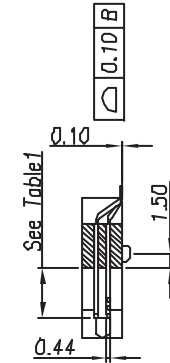
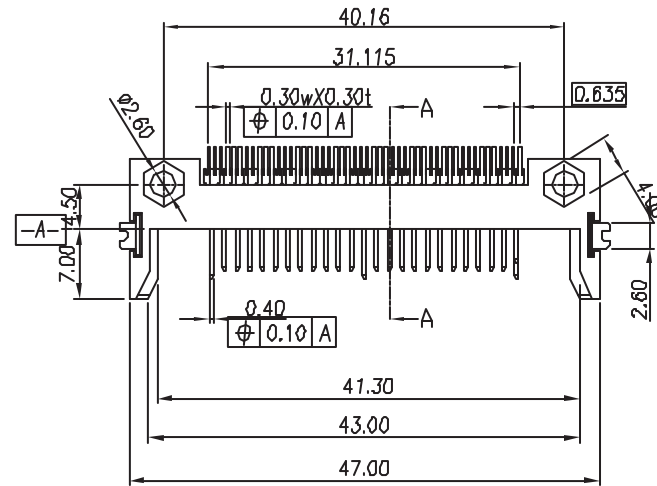
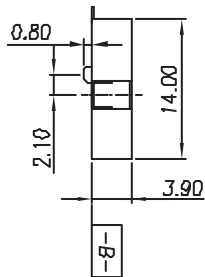
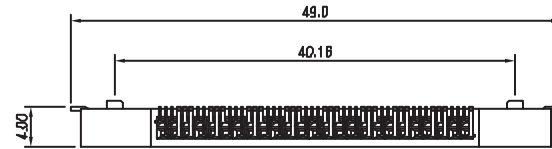
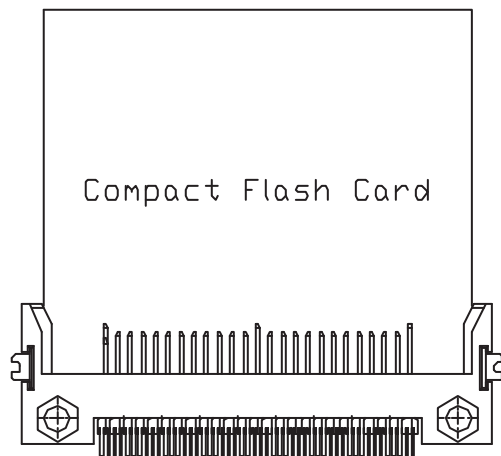


Table 2		
Type	DIM A	B
Normal	1.40mm	0.79mm
Inverse	0.79mm	1.40mm

DIMENSION IN mm [Inch]		PROD. SPEC.	ALMITA CO., LTD.	
TOLERANCE UNLESS OTHERWISE SPECIFIED		PKG. SPEC.	TITLE OF CARD CONN. SLIM TYPE CUSTOMER DRAWING	
.X±0.30	X.'± 1"	APPROVE	FILE NO.	DWG NO. CFZMD-75TXWX00
.XX±0.20	.X'± 0.5"	CHECK	SIZE A4	PROJ. SHEET 1 / 2
.XXX±0.10	.XX'± 0.25"	DRAW	SCALE 1:1	REV A

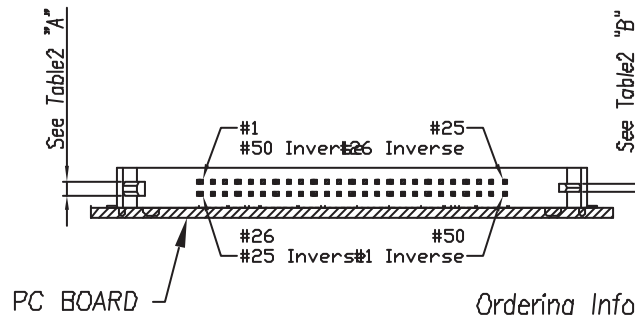
1 2 3 4 5 6 7 8

REV	MODIFICATION	DATE	DRAW



Compact Flash Card

CARD INSERTION



Ordering Information:

CFZ M D - 7 5 T XX W X 0 0

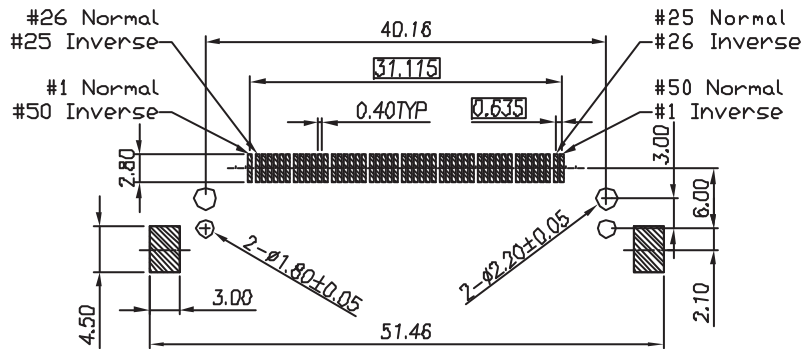
Pin No. 50 Position

Color: W-White.

3:Normal
4:Reverse

T : LEAD FREE TIN 100%

Contact Area Plating:
01--G/F Gold Plating.
05--5u" Gold Plating.
15--15u" Gold Plating.



RECOMMENDED P.C.B. LAYOUT

MATERIAL

HOUSING: HIGH TEMPERATURE THERMOPLASTIC.
CONTACT: COPPER ALLOY.
PED: BRASS.

PLATING

CONTACT: UNDERPLATED 50 u" MIN Ni.
CONTACT AREA: SELECTED GOLD OVER NI PLATED.
SOLDER TAIL: 100 u" MIN Sn/Pb OVER NI PLATED.
PED: 100 u" MIN Sn/Pb OVER 50 u" MIN NI PLATED.

DIMENSION IN mm [Inch]		PROD. SPEC.	ALMITA CO., LTD.	
TOLERANCE UNLESS OTHERWISE SPECIFIED		PKG. SPEC.	TITLE CF CARD CONN. SLIM TYPE CUSTOMER DRAWING	
.X±0.30	X.'± 1"	APPROVE	FILE NO.	DWG NO. CFZMD-75TXXWX00
.XX±0.20	.X'± 0.5"	CHECK	SIZE A4	PROJ. SHEET 2 / 2
.XXX±0.10	.XX'± 0.25"	DRAW	SCALE 1:1	REV A

1 2 3 4 5 6 7 8 8F-01-R10