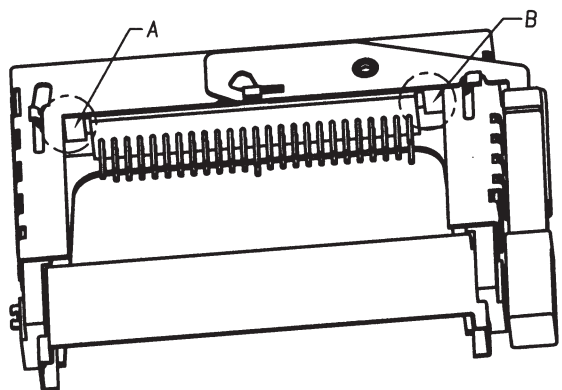
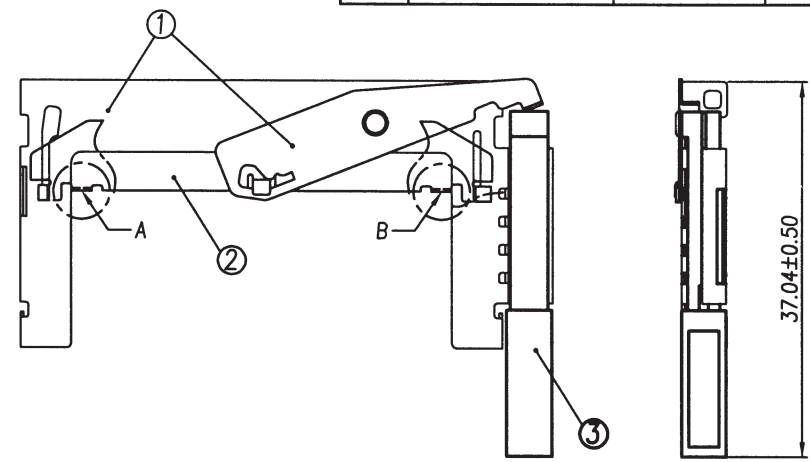
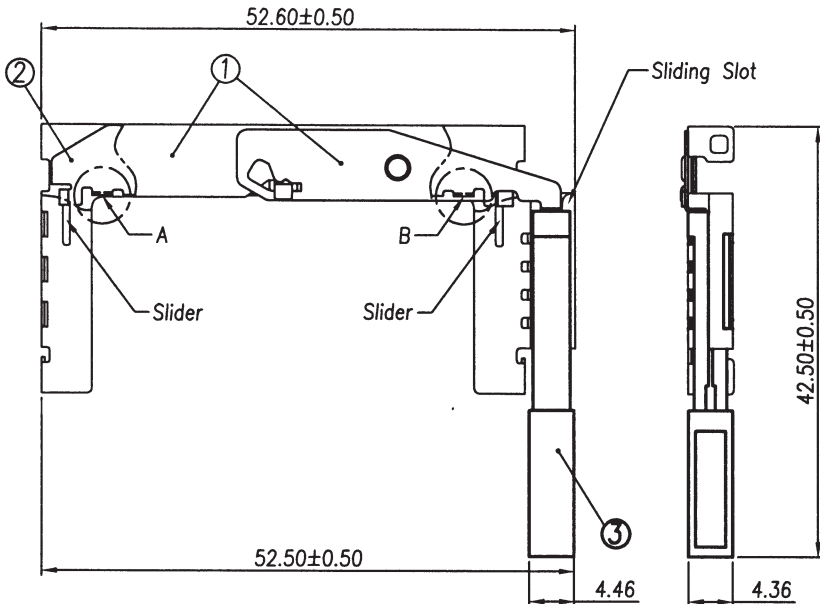


1 2 3 4 5 6 7 8

REV	MODIFICATION	DATE	DRAW



NOTES:

- ① COVER: SUS 304,T=0.3mm  
HEAVER: SUS 304,T=0.3mm
  - ② EJECTOR SEAT: SUS 304,T=0.3mm
  - ③ EJECTOR:Hige temperature plastic COLOR=BLOCK
  - 4. Ordering Information:K-CFC1-07
- 7 : PARALLEL BARS TYPE

DIMENSION IN mm [Inch]		PROD. SPEC.	ALMITA CO., LTD.	
TOLERANCE UNLESS OTHERWISE SPECIFIED		PKG. SPEC. PPP-CFC-003	TITLE PARALLEL BARS TYPE	CUSTOMER DRAWING
.X±0.30	X.'± 1'	APPROVE <i>[Signature]</i>	FILE NO. KFP-071	DWG NO. K-CFC1-07
.XX±0.20	.X'± 0.5'	CHECK <i>[Signature]</i>	SIZE <b>A4</b>	PROJ.  SHEET 1 / 1
.XXX±0.10	.XX'± 0.25'	DRAW <i>[Signature]</i>	SCALE 1.5:1	REV A

1 2 3 4 5 6 7 8 8F-01-R10