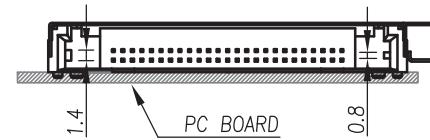
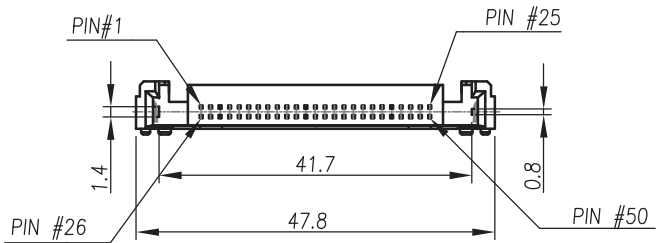
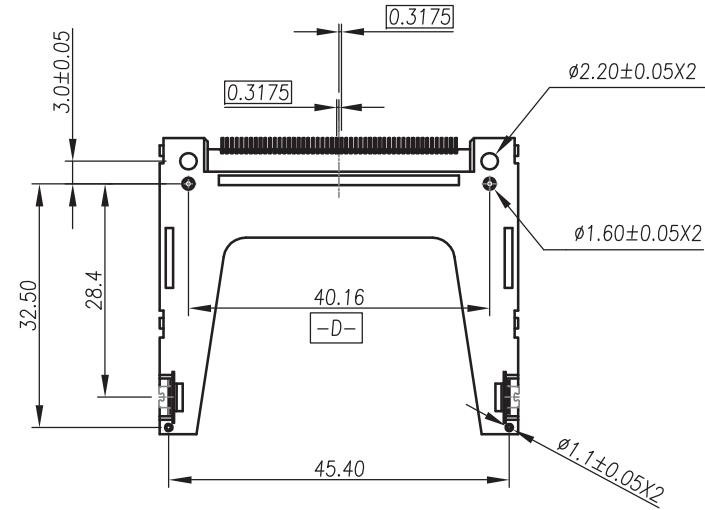
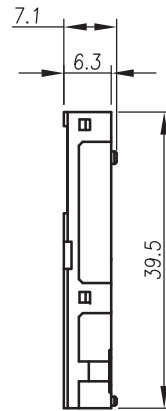
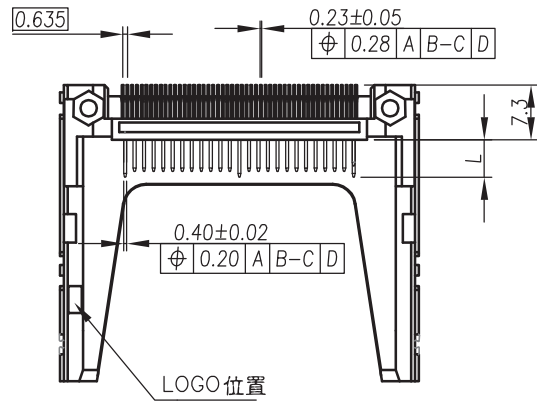
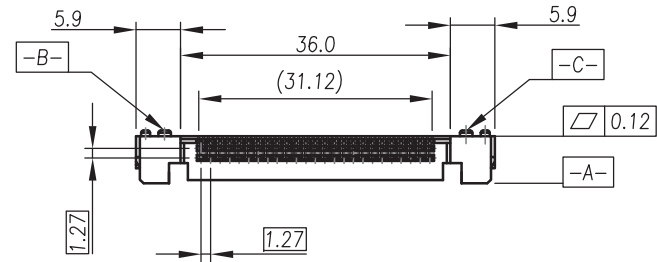


1 2 3 4 5 6 7 8

Pin Type	Interface Dim L	Pin Type	REV	MODIFICATION	DATE	DRAW
Detect	3.5 mm	25,26	E	EN-01-0402	04.01.02	JACK
General	4.25 mm	All Other Pins	F	EN-03-0415	04.18.03	TONY
Power	5.0 mm	1,13,38,50	G	EN-05-0611	05.06.03	TONY

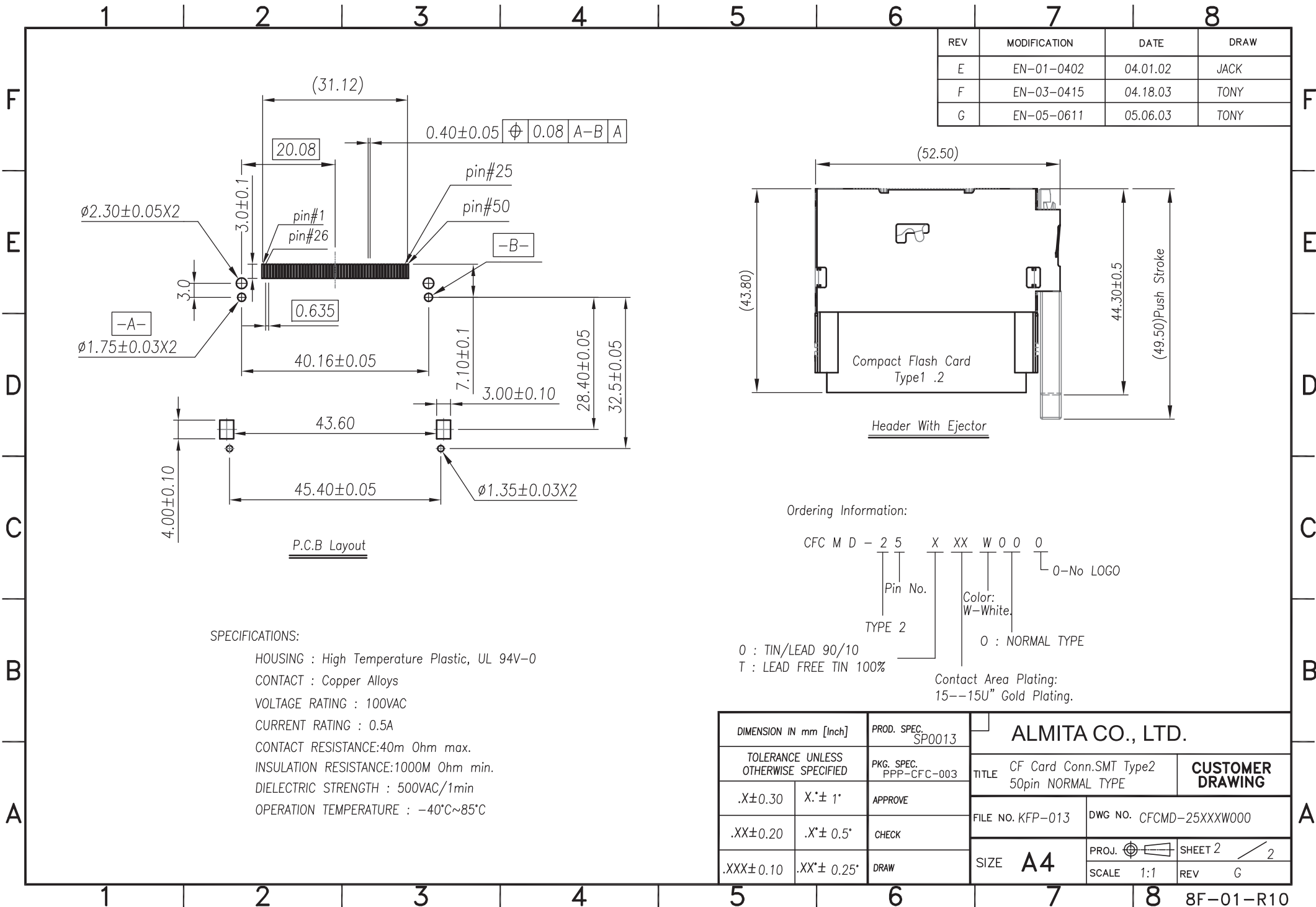
F
E
D
C
B
A



1 2 3 4 5 6 7 8 8F-01-R10

DIMENSION IN mm [Inch]		PROD. SPEC. SP0013	ALMITA CO., LTD.	
TOLERANCE UNLESS OTHERWISE SPECIFIED		PKG. SPEC. PPP-CFC-003	TITLE CF Card Conn.SMT Type2 50pin NORMAL TYPE	CUSTOMER DRAWING
.X±0.30	X.*± 1*	APPROVE	FILE NO. KFP-013	DWG NO. CFCMD-25XXXW000
.XX±0.20	.X.*± 0.5*	CHECK	SIZE A4	PROJ. SHEET 1 / 2
.XXX±0.10	.XX.*± 0.25*	DRAW	SCALE 1:1	REV G

F
E
D
C
B
A



REV	MODIFICATION	DATE	DRAW
E	EN-01-0402	04.01.02	JACK
F	EN-03-0415	04.18.03	TONY
G	EN-05-0611	05.06.03	TONY

SPECIFICATIONS:

HOUSING : High Temperature Plastic, UL 94V-0
 CONTACT : Copper Alloys
 VOLTAGE RATING : 100VAC
 CURRENT RATING : 0.5A
 CONTACT RESISTANCE:40m Ohm max.
 INSULATION RESISTANCE:1000M Ohm min.
 DIELECTRIC STRENGTH : 500VAC/1min
 OPERATION TEMPERATURE : -40°C~85°C

Ordering Information:

CFC M D - 2 5 X XX W 0 0 0
 Pin No. TYPE 2 Color: W-White. 0-No LOGO
 0 : TIN/LEAD 90/10
 T : LEAD FREE TIN 100%
 Contact Area Plating:
 15--15U" Gold Plating.

DIMENSION IN mm [Inch]		PROD. SPEC. SP0013	ALMITA CO., LTD.	
TOLERANCE UNLESS OTHERWISE SPECIFIED		PKG. SPEC. PPP-CFC-003	TITLE CF Card Conn.SMT Type2 50pin NORMAL TYPE	CUSTOMER DRAWING
.X±0.30	.X'± 1"	APPROVE	FILE NO. KFP-013	DWG NO. CFCMD-25XXXW000
.XX±0.20	.X'± 0.5"	CHECK	SIZE A4	PROJ. SHEET 2 / 2
.XXX±0.10	.XX'± 0.25"	DRAW	SCALE 1:1	REV G