

1 2 3 4 5 6 7 8

REV	MODIFICATION	DATE	DRAW
E	EN-05-1120	11/22	TONY
F	EN-06-0415	4/13	TONY
G	EN-06-0511	5/9	TONY

F

E

D

C

B

A

F

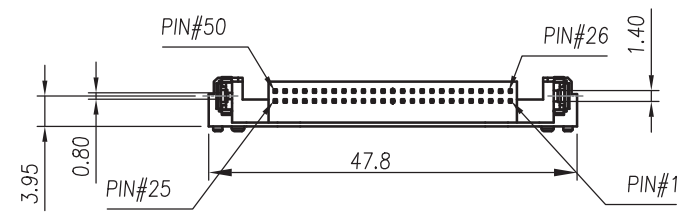
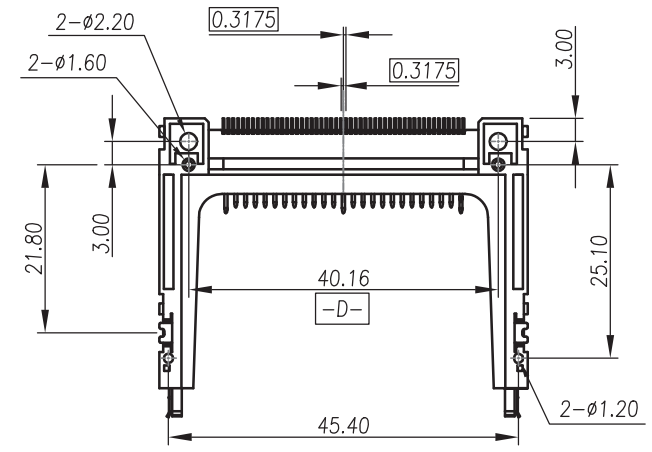
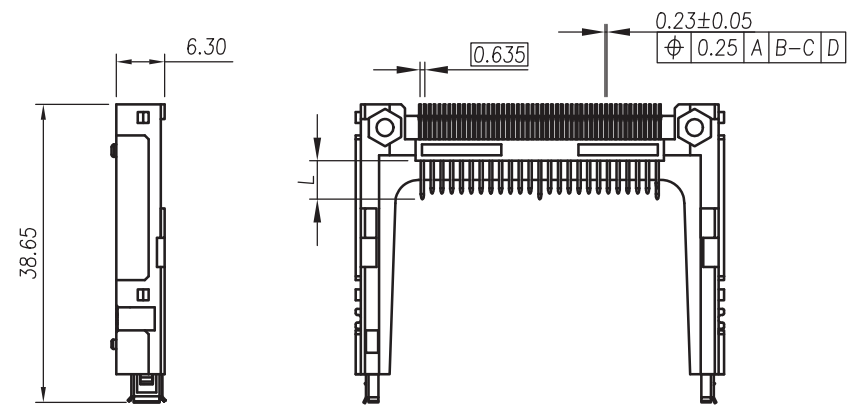
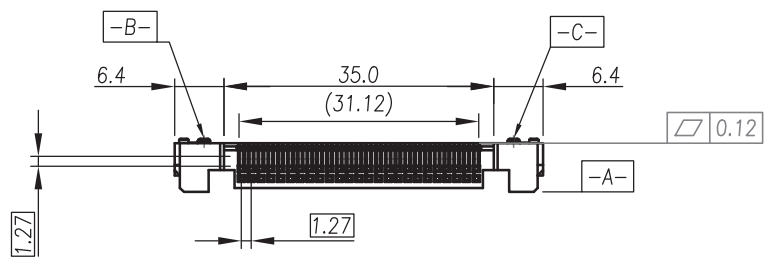
E

D

C

B

A

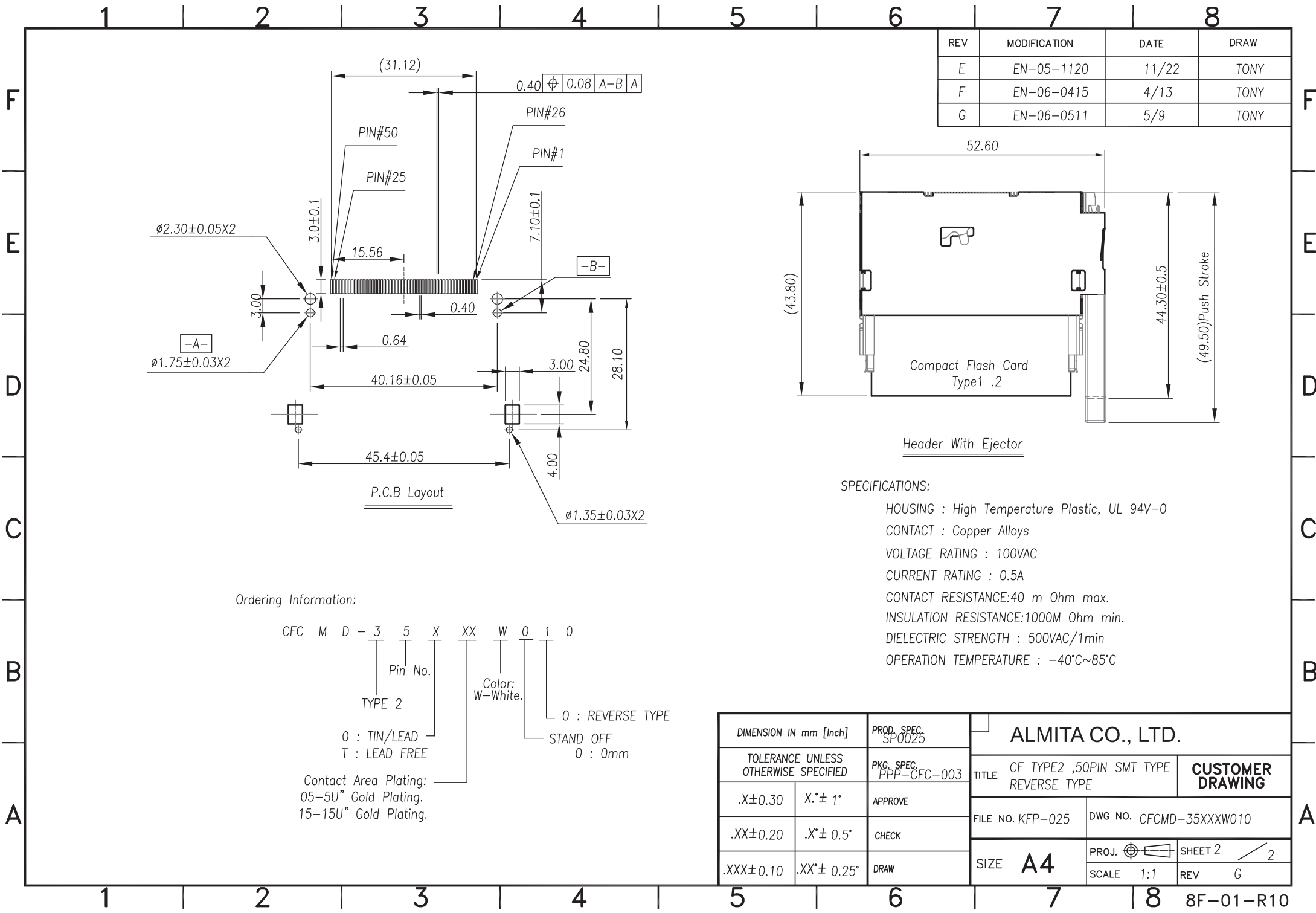


Pin Type	Interface Dim L	Pin Type
Detect	3.5 mm	25,26
General	4.25 mm	All Other Pins
Power	5.0 mm	1,13,38,50

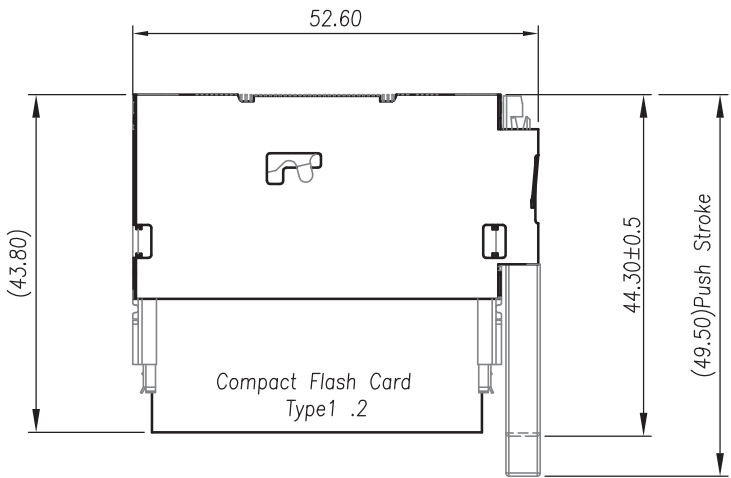
DIMENSION IN mm [Inch]		PROD. SPEC SP0025
TOLERANCE UNLESS OTHERWISE SPECIFIED		PKG. SPEC PPP-CFC-003
.X±0.30	X.*± 1°	APPROVE
.XX±0.20	.X.*± 0.5°	CHECK
.XXX±0.10	.XX.*± 0.25°	DRAW

ALMITA CO., LTD.		
TITLE CF TYPE2 ,50PIN SMT TYPE REVERSE TYPE		CUSTOMER DRAWING
FILE NO. KFP-025	DWG NO. CFCMD-35XXXW010	
SIZE <b>A4</b>	PROJ.	SHEET 1 / 2
	SCALE 1:1	REV G

1 2 3 4 5 6 7 8 8F-01-R10



REV	MODIFICATION	DATE	DRAW
E	EN-05-1120	11/22	TONY
F	EN-06-0415	4/13	TONY
G	EN-06-0511	5/9	TONY



Header With Ejector

SPECIFICATIONS:

- HOUSING : High Temperature Plastic, UL 94V-0
- CONTACT : Copper Alloys
- VOLTAGE RATING : 100VAC
- CURRENT RATING : 0.5A
- CONTACT RESISTANCE:40 m Ohm max.
- INSULATION RESISTANCE:1000M Ohm min.
- DIELECTRIC STRENGTH : 500VAC/1min
- OPERATION TEMPERATURE : -40°C~85°C

Ordering Information:

CFC M D - 3 5 X XX W 0 1 0

Pin No. TYPE 2

Color: W-White.

0 : REVERSE TYPE

0 : TIN/LEAD  
T : LEAD FREE

STAND OFF  
0 : 0mm

Contact Area Plating:  
05-5U" Gold Plating.  
15-15U" Gold Plating.

DIMENSION IN mm [Inch]		PROD. SPEC SP0025	ALMITA CO., LTD.	
TOLERANCE UNLESS OTHERWISE SPECIFIED		PKG. SPEC PPP-CFC-003	TITLE CF TYPE2 ,50PIN SMT TYPE REVERSE TYPE	CUSTOMER DRAWING
.X±0.30	X.*± 1*	APPROVE	FILE NO. KFP-025	DWG NO. CFCMD-35XXXW010
.XX±0.20	.X.*± 0.5*	CHECK	PROJ.	SHEET 2 / 2
.XXX±0.10	.XX.*± 0.25*	DRAW	SIZE <b>A4</b>	SCALE 1:1 REV G