

Note:

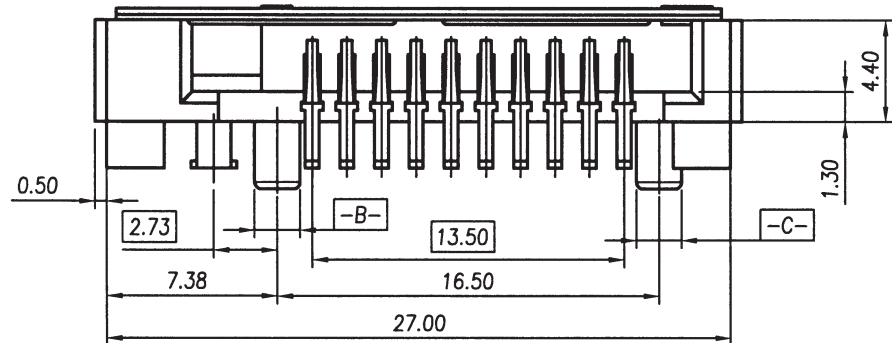
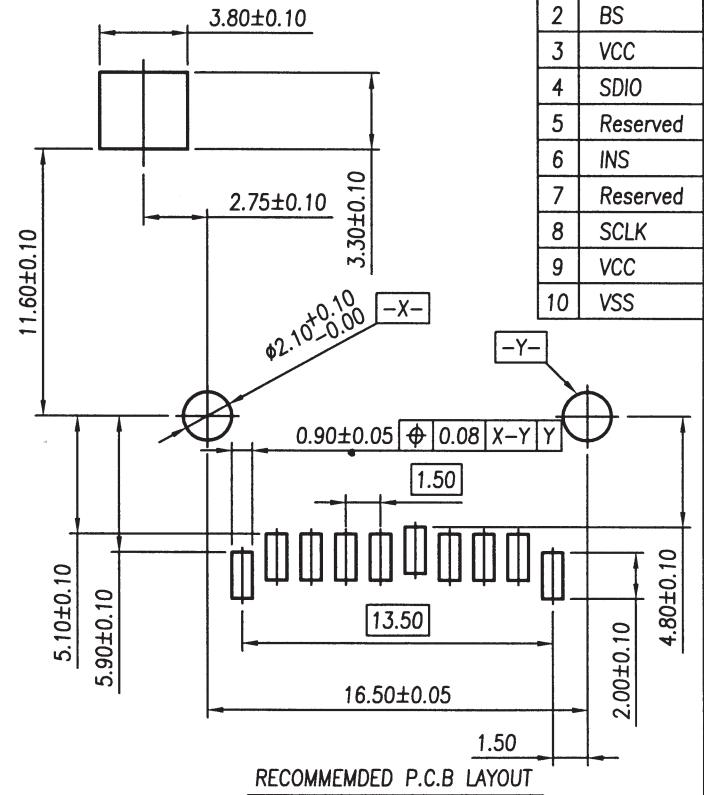
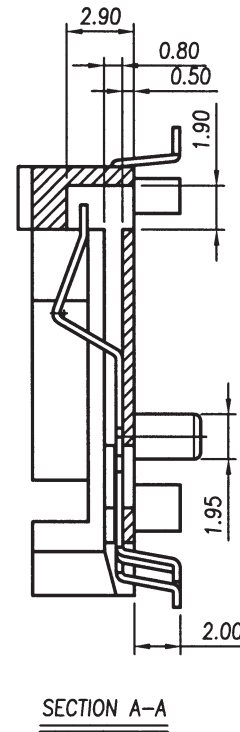
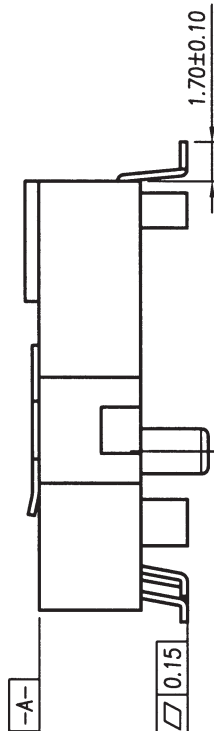
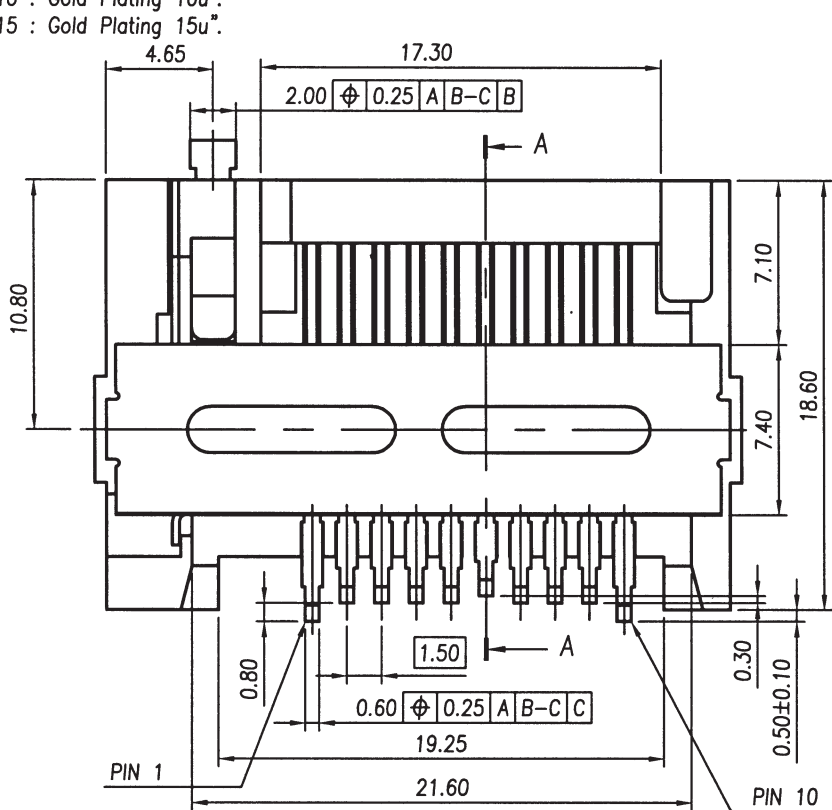
Part No :
MSCMU-010XXBX0X

Plating
01 : Gold Flash
05 : Gold Plating 5u"
10 : Gold Plating 10u"
15 : Gold Plating 15u"

1 : STAND-OFF 2.00mm.
0 : TIN-LEAD 90/10.
T : LEAD FREE.

REV	MODIFICATION	DATE	DRAW
C	EN-04-0528	05-31-04"	JIM LIU
D	EN-04-0817	08-26-04"	JIM LIU
E	EN-04-1111	11-10-04"	JIM LIU

PIN ASSIGN	
PIN	NAME
1	VSS
2	BS
3	VCC
4	SDIO
5	Reserved
6	INS
7	Reserved
8	SCLK
9	VCC
10	VSS



DIMENSION IN mm [Inch]	PROD. SPEC. SP0037	ALMITA CO., LTD.	
TOLERANCE UNLESS OTHERWISE SPECIFIED	PKG. SPEC. PPP-MSC-001	TITLE MEMORY STICK CARD CNNECTOR STAND-OFF 2.00mm	CUSTOMER DRAWING
.X±0.25 X'± 1'	APPROVE <i>[Signature]</i>	FILE NO. KFP-037	DWG NO. MSCMU-010XXBX01
.XX±0.20 .X'± 0.5'	CHECK 劉忠朋	SIZE A4	PROJ. SHEET 1 / 1
.XXX± .XX'± 0.25'	DRAW 劉忠朋	SCALE 3:1	REV E