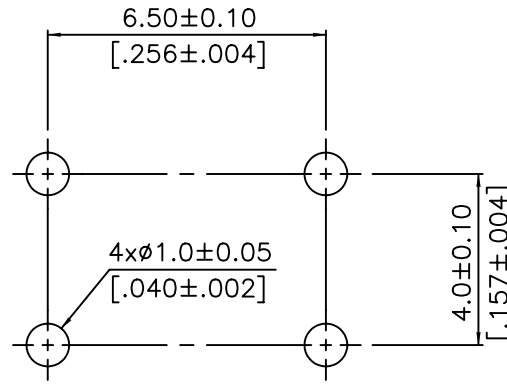
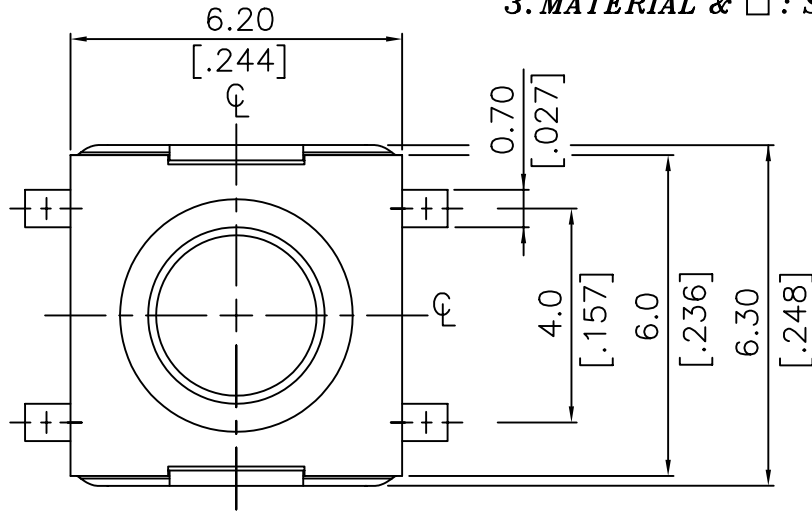


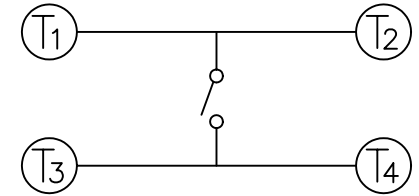
NOTE:

1. ALL DIMENSIONS ARE IN MILLIMETERS, BRACKETED DIMENSIONS ARE IN INCHES.
2. GENERAL TOLERANCES MAX.±0.20mm.
3. MATERIAL & □ : SEE PAGE 3 OF 3.

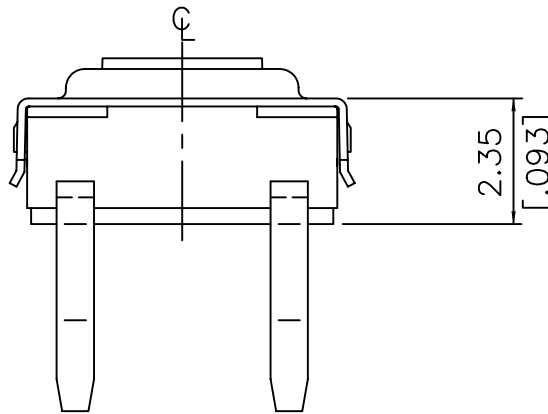
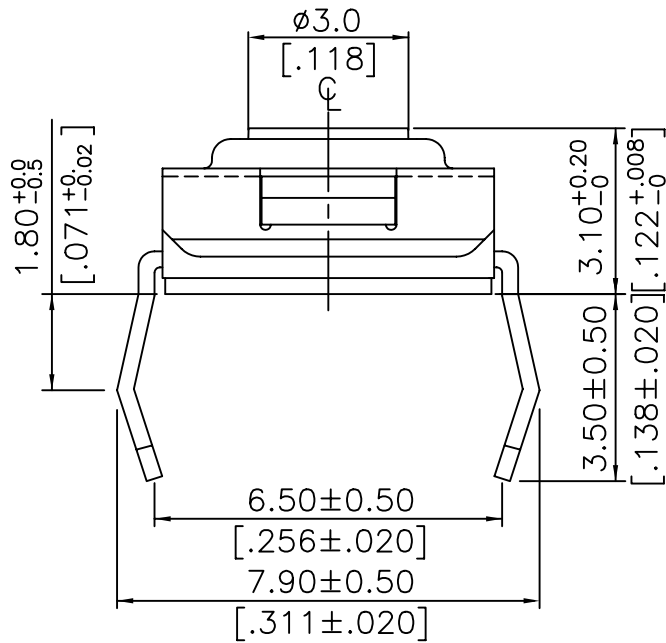


(SCALE 8:1)

P.C.B. LAYOUT



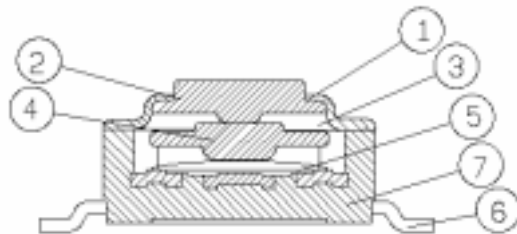
CIRCUIT DIAGRAM



△				
△				
△				
△	A	DWG.REL.	02.13'98	
ZONE	REV	DESCRIPTION	DATE	APPD.

APPD:	Q'TY:	 久益鑫企業有限公司 JOYNet Enterprise Co., Ltd.	PART NAME:
CHKD:	SCALE: 10 : 1		TACT SWITCH 6X6 THROUGH HOLD/ WASHABLE TYPE (H=3.1mm)
DR:	REV: A	UNITS: mm	DWG NO:
DESIGN:		PART NO: DTSHW-66□	R D 5 P 6 W 5
		MAT'L:	FINISH:

ITEM	DESC.	Q'TY	MATERIALS	TREATMENT	REMARK
1.	COVER	1	STAINLESS STEEL	NONE	
2.	STEM	1	HIGH - TEMP THERMOPLASTIC NYLON UL 94V-0	→	①
3.	ADHESIVE TAPE	1	TEFLON	NONE	
4.	METAL STEM	1	BRASS	NICKEL PLATED	
5.	CONTACT	1	PHOSPHOR BRONZE	WITH SILVER CLADDING	
6.	TERMINAL	1	BRASS	WITH SILVER CLADDING	
7.	BASE	1	HIGH-TEMP THERMOPLASTIC NYLON UL 94V-0	MOLDED BLACK	



REMARK:

① Prod. No. : D T S W - 6 6 - -

G = With Ground Terminal

Termination Type :

H = Through Hole

M = S.M.T.

J = J Tape S.M.T.

With Washable Type

Stem Height :

66 = 3.1 mm

Package Style:

= Regular

T\R = Tape & Reel

B = Tube

Color Of Stem For
Operating Force :

N = Brown, 160g.

G	新增 DTSGMW-66	
F	工<工變>00038	楊豐富
E	工(聯)8015	楊豐富
D	工<聯>8001 號	楊豐富
C	工(變聯)7013 號	楊豐富
B	工聯 009 號	施教郎
A	DWG.REL	施教郎
REV.	ECO. NO.	APPD.

TITLE: TACTILE SWITCH WITH WASHABLE TYPE		APPD. :
PRROD. NO. :DTS W-66		CHKD. :
FILE NO. :E-B-CT10	REV : G	PR. : 楊佩儒
		SHEET: 1of1