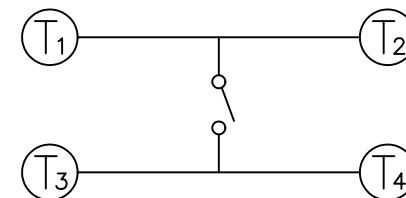
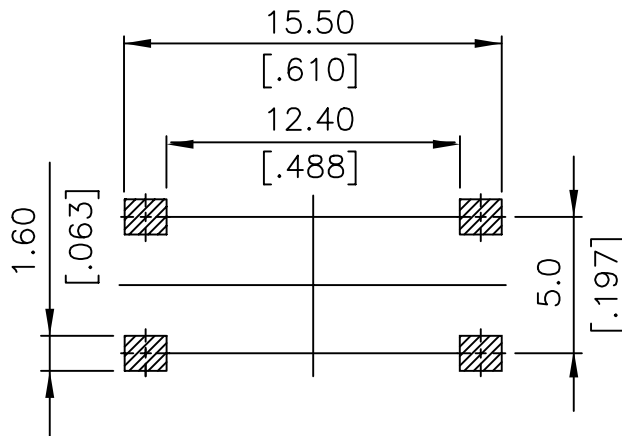
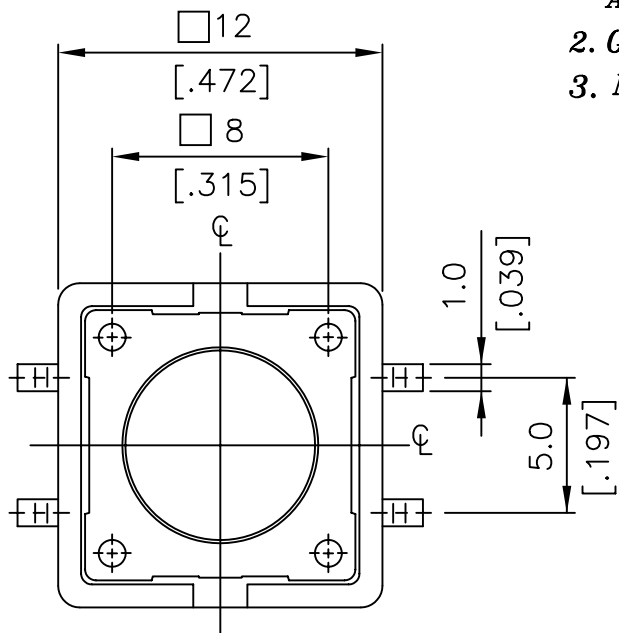


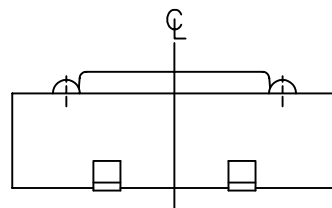
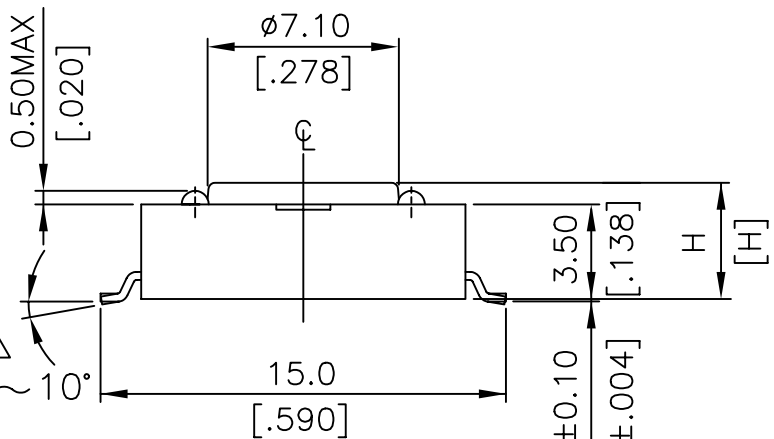
NOTE:

1. ALL DIMENSIONS ARE IN MILLIMETERS, BRACKETED DIMENSIONS ARE IN INCHES.
2. GENERAL TOLERANCES MAX. ±0.20mm.
3. MATERIAL & □: SEE PAGE 3 OF 3.



P.C.B. LAYOUT

CIRCUIT DIAGRAM



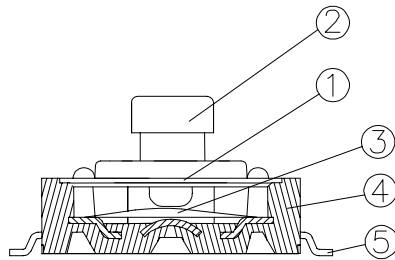
DTSM-25 □	8.5 [0.335]
DTSM-21 □	4.3 [0.169]
PROD. NO.	H
附表 A	

DTSM-25□	先銀壓後沖, 雙面銀壓(Ag/0.3uM MIN)
△ DTSM-25□-(C)	先沖後鍍銀(Ag/1.5uM MIN)
DTSM-21□	先銀壓後沖, 雙面銀壓(Ag/0.3uM MIN)
△ DTSM-21□-(C)	先沖後鍍銀(Ag/1.5uM MIN)

ZONE	REV	DESCRIPTION	DATE	APPD.
△	E	增訂圖表及料號DTSM-25		
△	D	增訂先沖後鍍銀規格	10.02'99	楊豐富
△	C	增訂△部份尺寸	01.22'98	楊豐富
△	B	增訂尺寸 0°~4°	10.03'94	施教郎
△	A	DWG.REL.	07.08'94	施教郎

APPD:	Q'TY:		PART NAME: TACTILE SWITCH SMT TYPE 12X12
CHKD:	SCALE: 5 : 1		
DR:	REV: E	UNITS: mm	MAT'L:
DESIGN:	見附表		FINISH:
			DWG NO: R D 5 P 2 M

ITEM	DESC.	Q'TY	MATERIALS	TREATMENT	REMARK
1	COVER	1	STAINLESS STEEL	NONE	
2	STEM	1	HIGH - TEMP THERMOPLASTIC NYLON UL 94V-0	→	①
3	CONTACT	1	PHOSPHOR BRONZE	WITH SILVER CLADDING	
4	TERMINAL	1	BRASS	WITH SILVER CLADDING	
5	BASE	1	HIGH - TEMP THERMOPLASTIC NYLON UL 94V-0	MOLDED BLACK	



DTSM-2

Remark:

Prod. No. : D T S M - 2

Surface - Mounting Type

Total Height

1 = 4.3 mm

4 = 7.3 mm

5 = 8.5 mm

=Plating before punching
G =Punching before plating

Package Style:

B = Tube

T/R = Tape &Reel

Color Of Stem For
Operating Force :

N = Brown ,160g

R = Red ,260g

S = Salmon,320g

Y = Yellow,520g

B	工<工變>99053 號	楊豐富
A	DWG.REL.	楊豐富
REV.	ECO. NO.	APPD.

TITLE:	SMT TACT SWITCH 12X12	APPD. : 楊豐富
PRROD. NO. : DTSM-2 - -		CHKD. : 吳振中
FILE NO. : E-B-CT09		PR. : 楊佩儒
		REV : B SHEET : 1 of 1