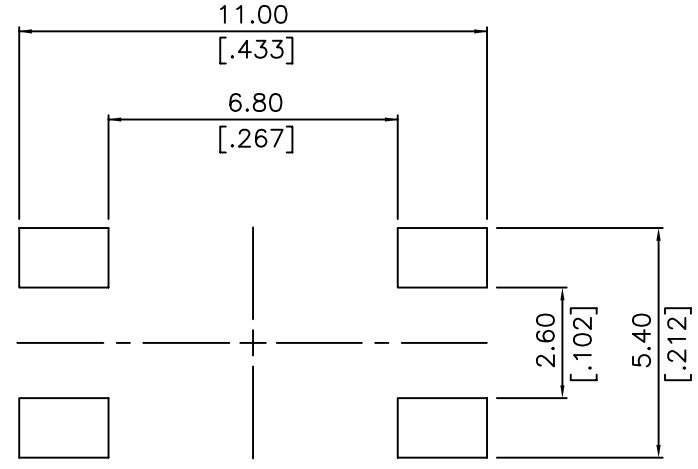
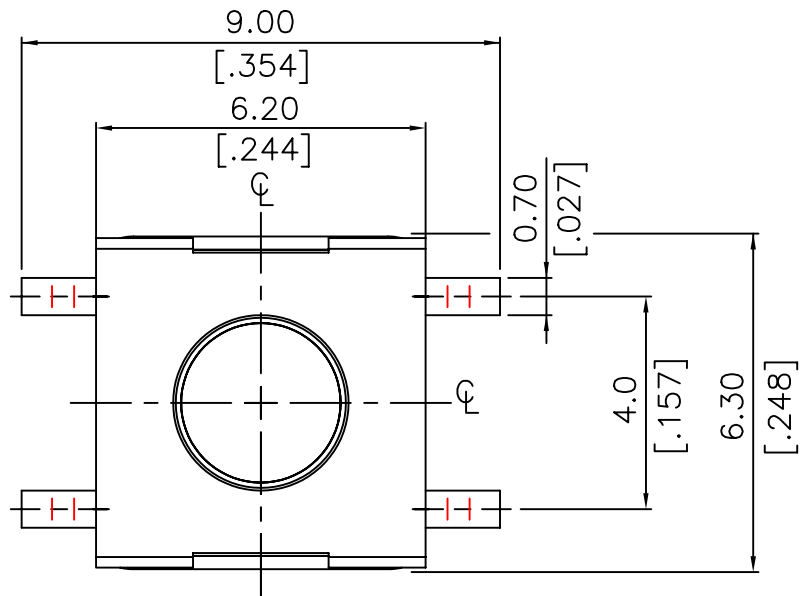


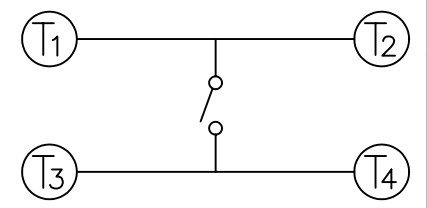
**NOTE:**

- 1. ALL DIMENSIONS ARE IN MILLIMETERS, BRACKETED DIMENSIONS ARE IN INCHES.
- 2. GENERAL TOLERANCES MAX.±0.20mm.

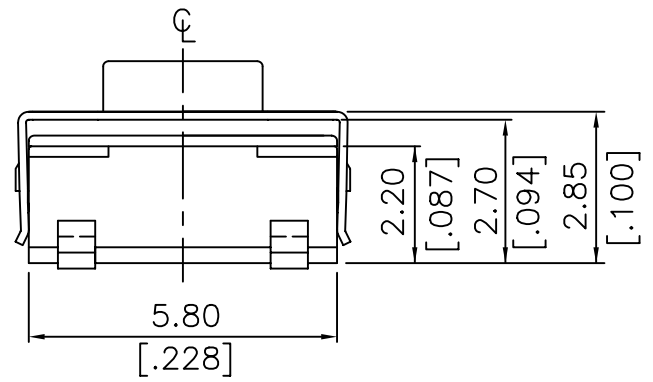
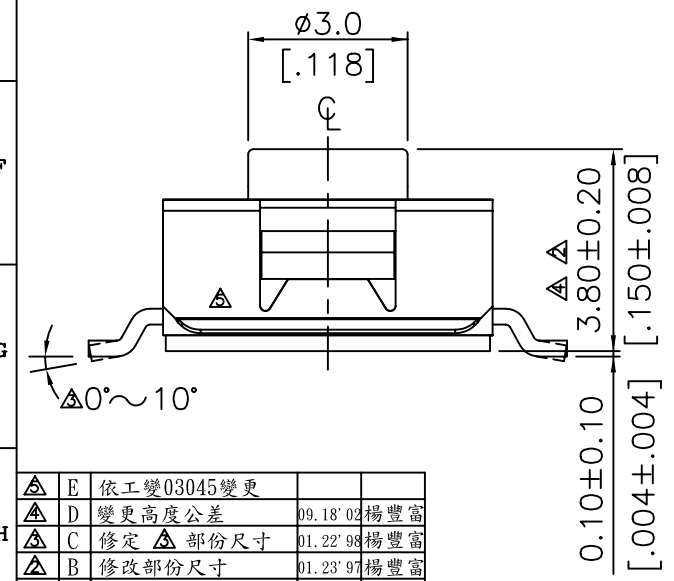


(SCALE 8:1)

**P.C.B. LAYOUT**



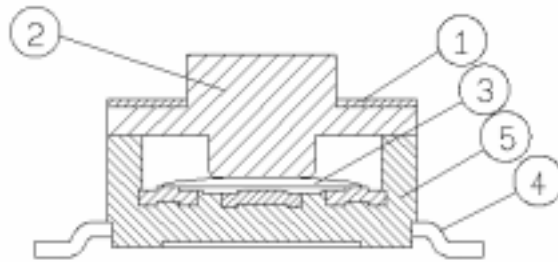
**CIRCUIT DIAGRAM**



△	E	依工變03045變更		
△	D	變更高度公差	09.18' 02	楊豐富
△	C	修定 △ 部份尺寸	01.22' 98	楊豐富
△	B	修改部份尺寸	01.23' 97	楊豐富
△	A	DWG. REL.	02.25' 93	施教郎
ZONE	REV	DESCRIPTION	DATE	APPD.

APPD:	QTY:	久益鑫企業有限公司 JOYNet Enterprise Co., Ltd.	PART NAME:
CHKD:	SCALE: 10 : 1		TACT SWITCH 6X6 SMT / WASHABLE TYPE (H=3.80mm)
DR: 楊佩儒	REV: E	UNITS: mm	DWG NO:
DESIGN: 張俊新		PART NO: DTSMW-69□	FINISH: R D 5 P 6 W 4

ITEM	DESC.	Q'TY	MATERIALS	TREATMENT	REMARK
1.	COVER	1	STAINLESS STEEL	NONE	-
2.	SEALED RUBBER	1	SILICONE RUBBER	NONE	①
3.	CONTACT	1	PHOSPHOR BRONZE	WITH SILVER CLADDING	-
4.	TERMINAL	1	BRASS	WITH SILVER CLADDING	-
5.	BASE	1	HIGH - TEMP THERMOPLASTIC NYLON UL 94V-0	MOLDED BLACK	-



Remark:

① PROD. NO. : D T S W - 6

Termination Type :

H = Through Hole

M = S.M.T.

J = J Tape S.M.T.

With Washable Type

Stem Height:

5 = 3.5 mm

9 = 3.8 mm

7 = 5.2 mm

Package Style:

= Regular

T\R= Tape & Reel

B = Tube

Color Of Stem For  
Operating Force:

N = Brown ,180g

R = Red ,260g

T = Clarity,360g

J	新增 360g 產品 (65)	
I	新增 360g 產品 (69.67)	李正哲
H	依 E-R-BT08 新增規格	楊豐富
G	工<工變>00038	楊豐富
F	工<技通>99037	楊豐富
E	工<聯>8015 號	楊豐富
D	工<聯>8001 號	楊豐富
C	工<變聯>7010 號	施教郎
B	工<聯>009 號	施教郎
A	DWG.REL.	施教郎
REV.	ECO. NO.	APPD

TITLE: TACTILE SWITCH WITH WASHABLE TYPE	APPD. :
	CHKD. :
PRROD.NO. : DTS W-6	PR. : 楊佩儒
FILE NO. : E-B-CT12	REV : J
	SHEET: 1 of 1