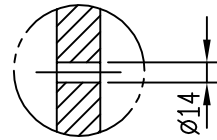
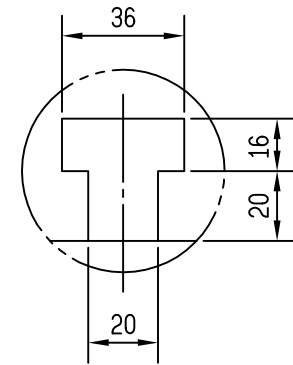


● Pin hloe  $\varnothing 21 \times 6$  bore

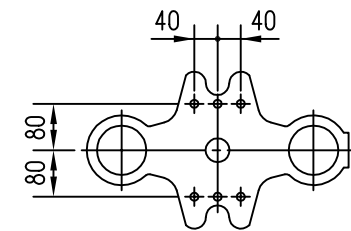
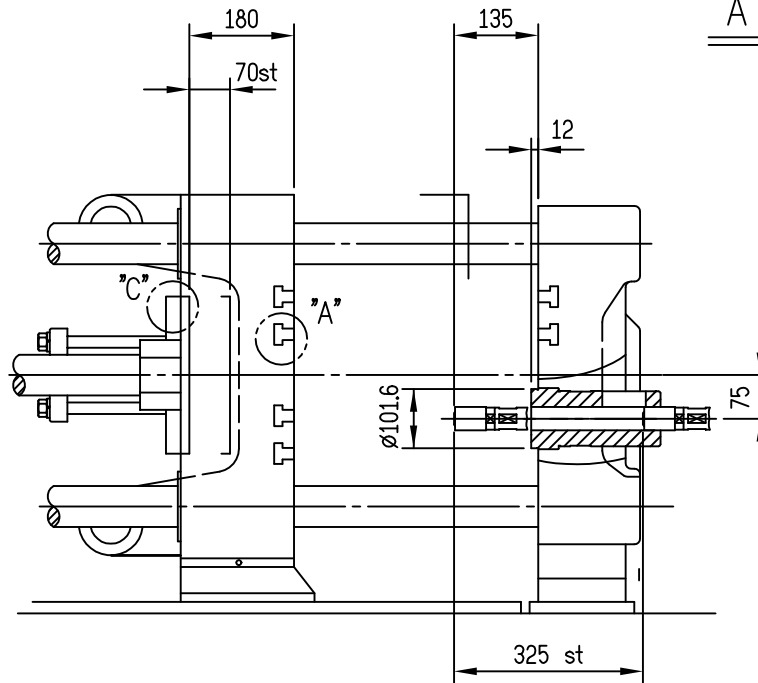
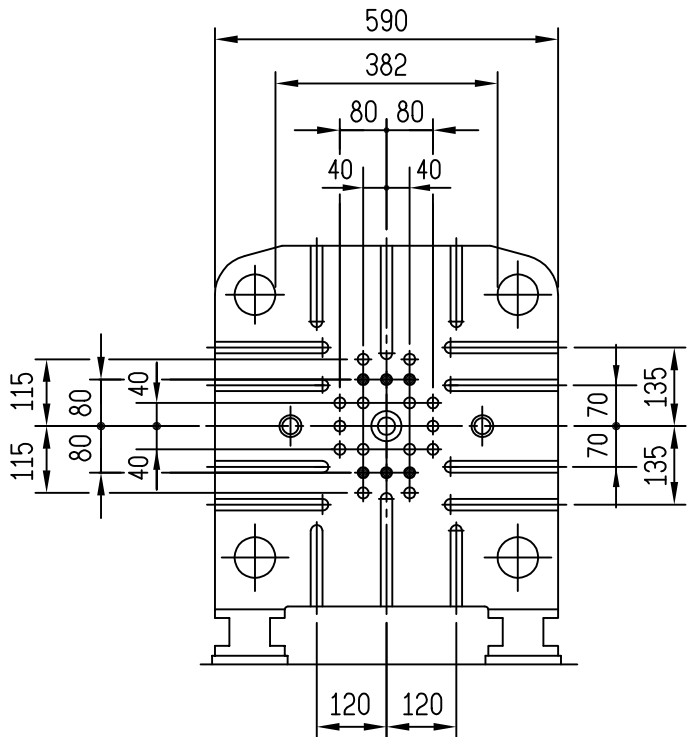
○ Eject hloe  $\varnothing 21 \times 14$  bore



"C" detailed diagram



"A" detailed diagram



Retract hole position

Applied sect.	Die platen ejection drawing
No.	A4DEA132