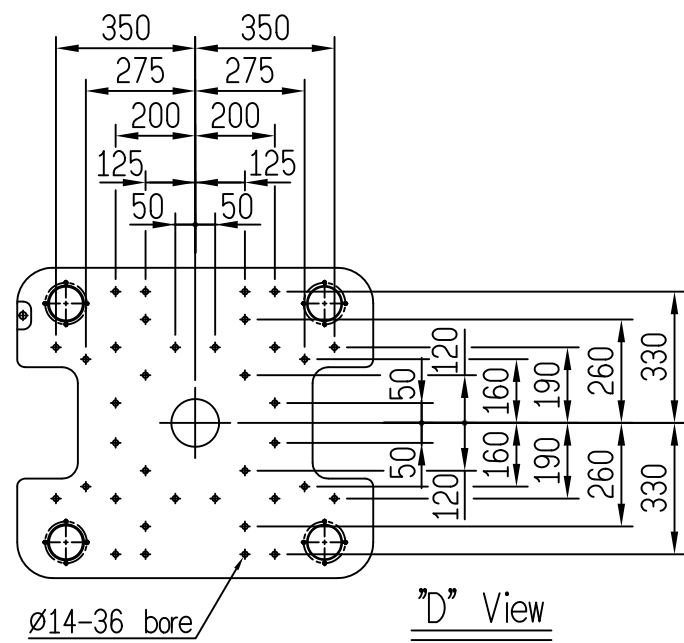
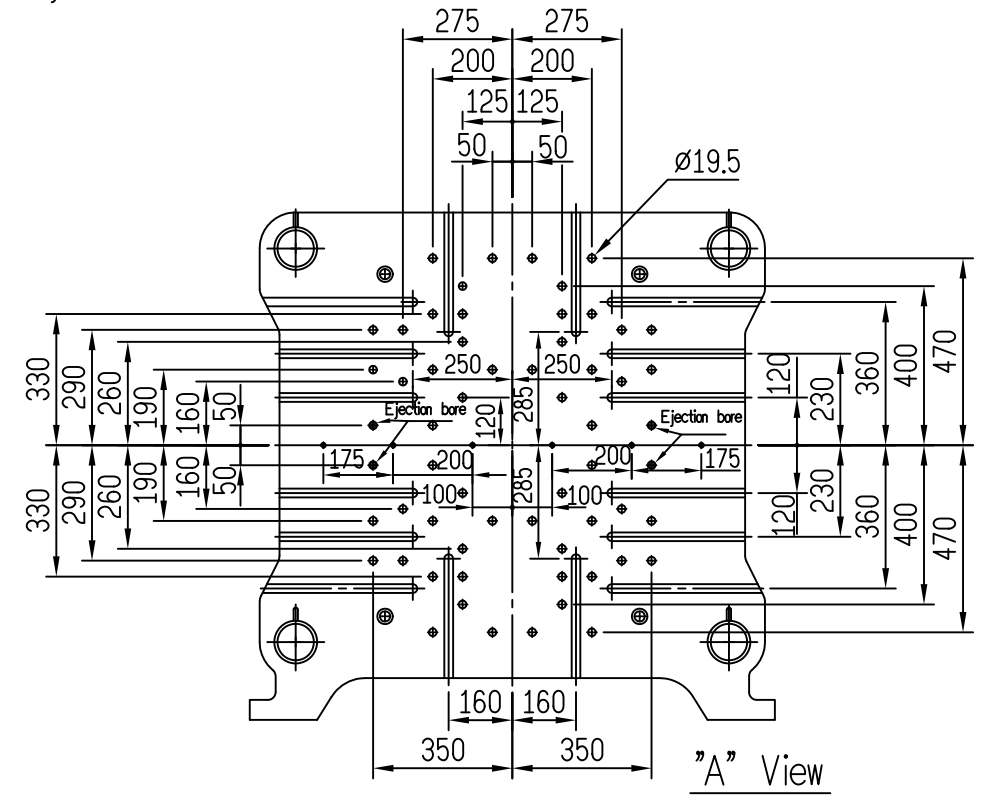
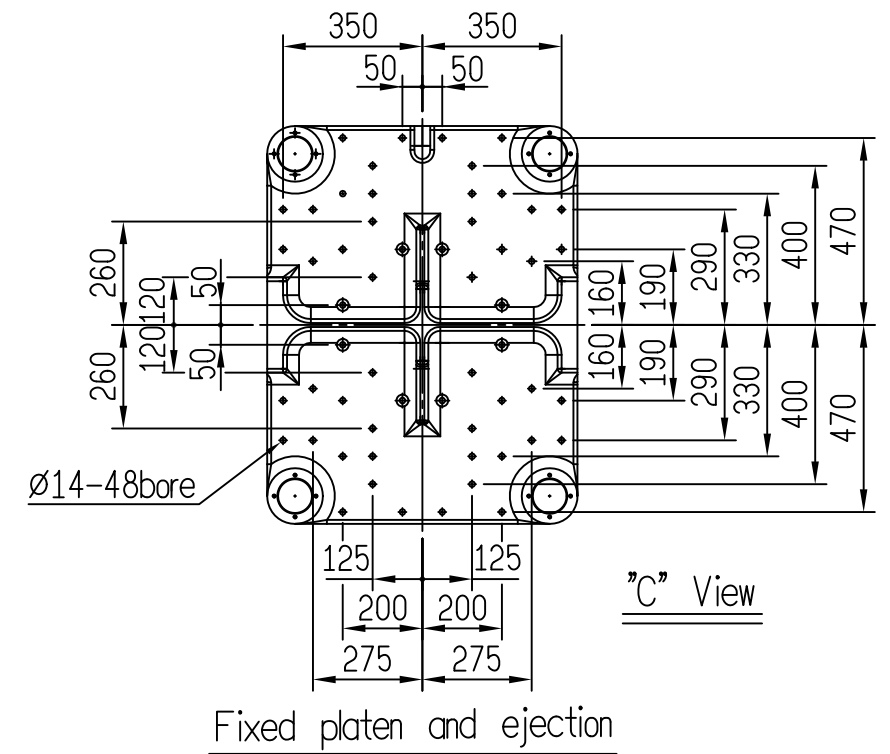
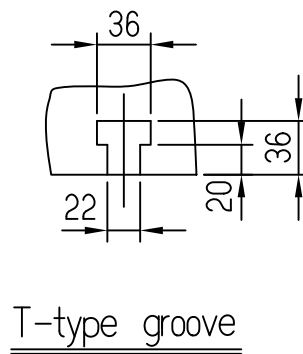


- ⊕ Retraction bore  $\varnothing 19.5-56$  bore
- ◆ Ejection bore  $\varnothing 19.5-4$  bore



Moving platen and ejection



Fixed platen and ejection

Applied sect	Platen and Ejection
No.	E1WPDEA130