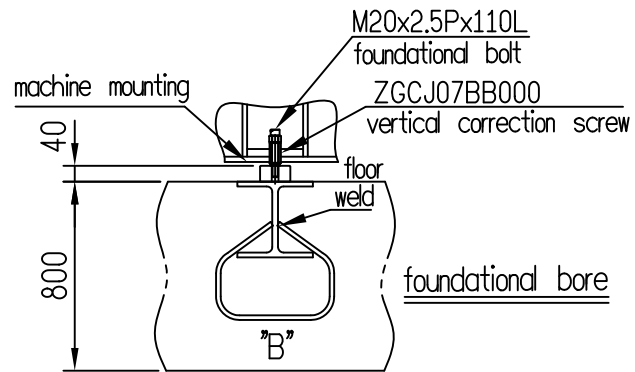
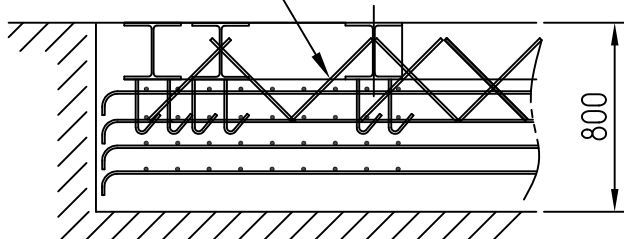


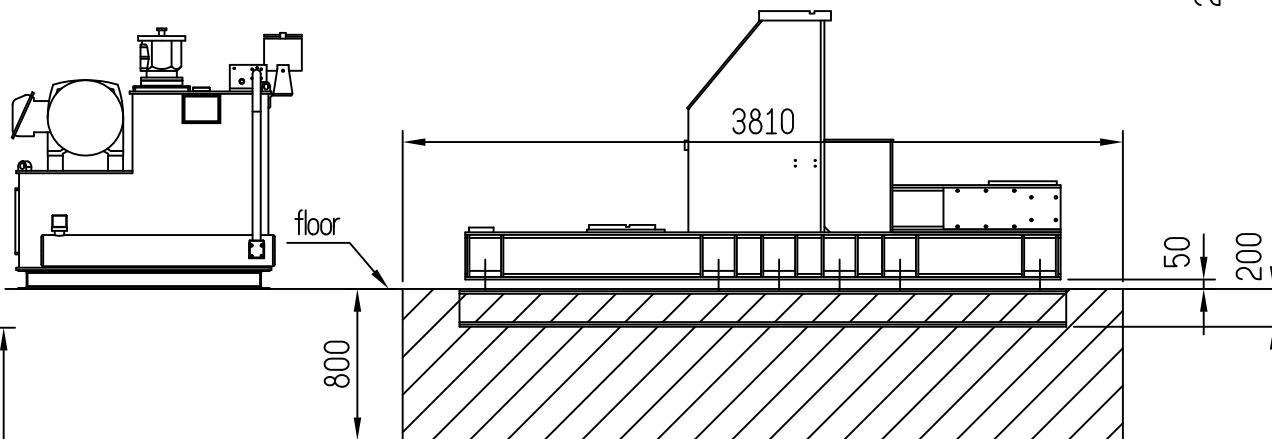
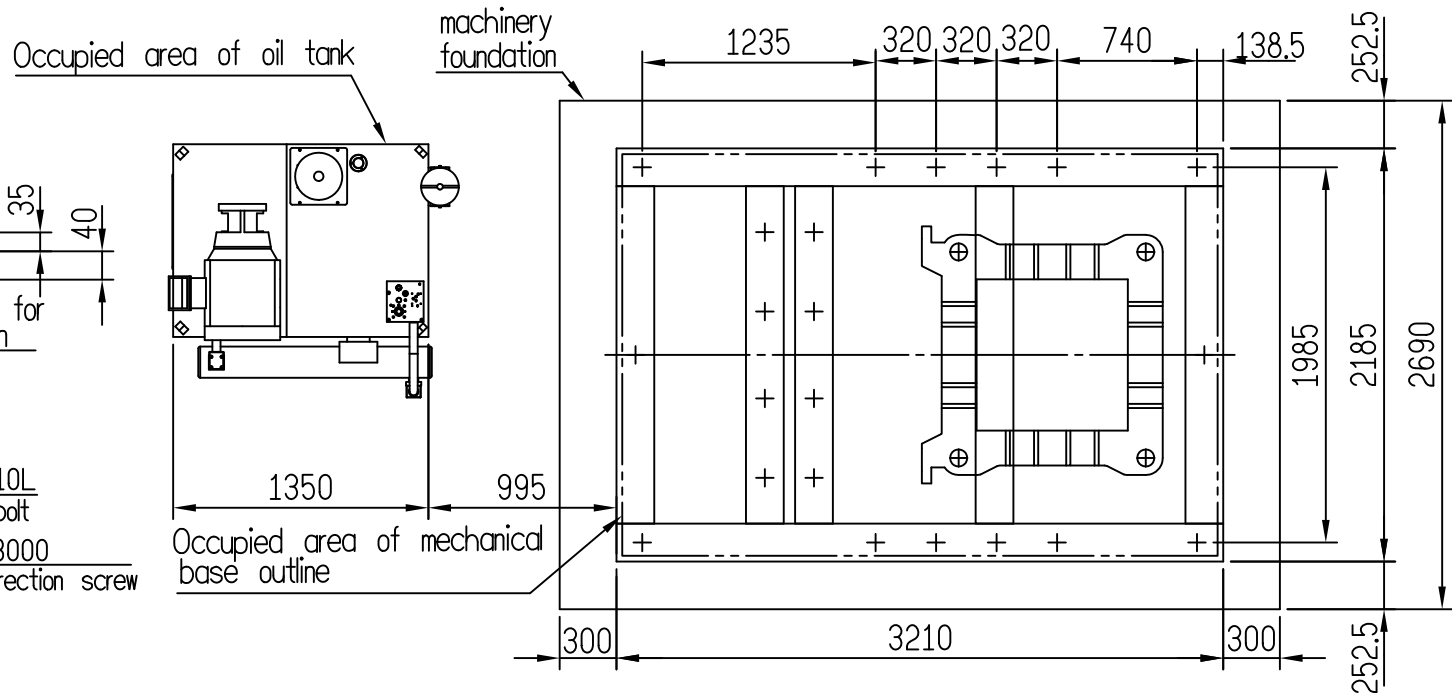
"B" Detailed diagram



Note<02>:Use the concrete iron interlocked at random.
Attention:Weld the other end to the H-beam iron.



<03>200X200 H-shape
<02>Heel blocks of foundation screws will be provided by ZITAI and welded by our operators.
Note:<01>Usage of fixed platen and ejector platen



Applied sect.	Machinery installation
No.	E1WPDEA150