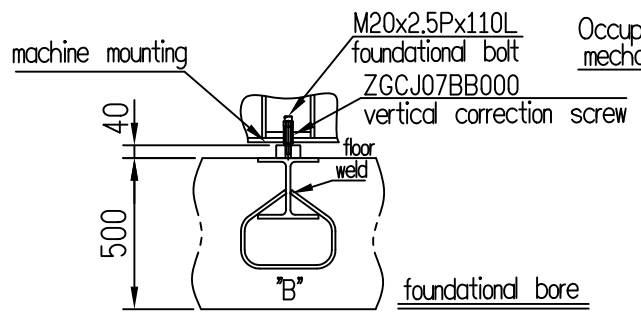
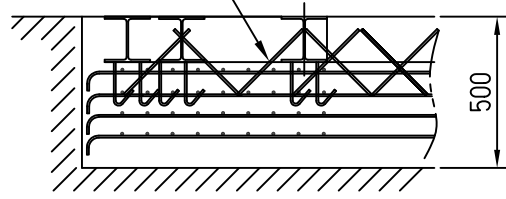


"B" Detailed diagram

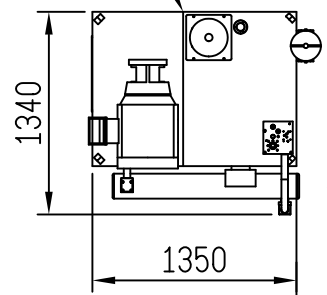


"B" foundational bore

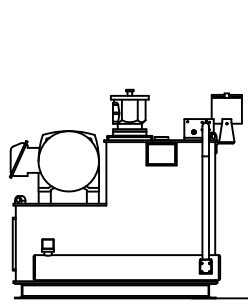
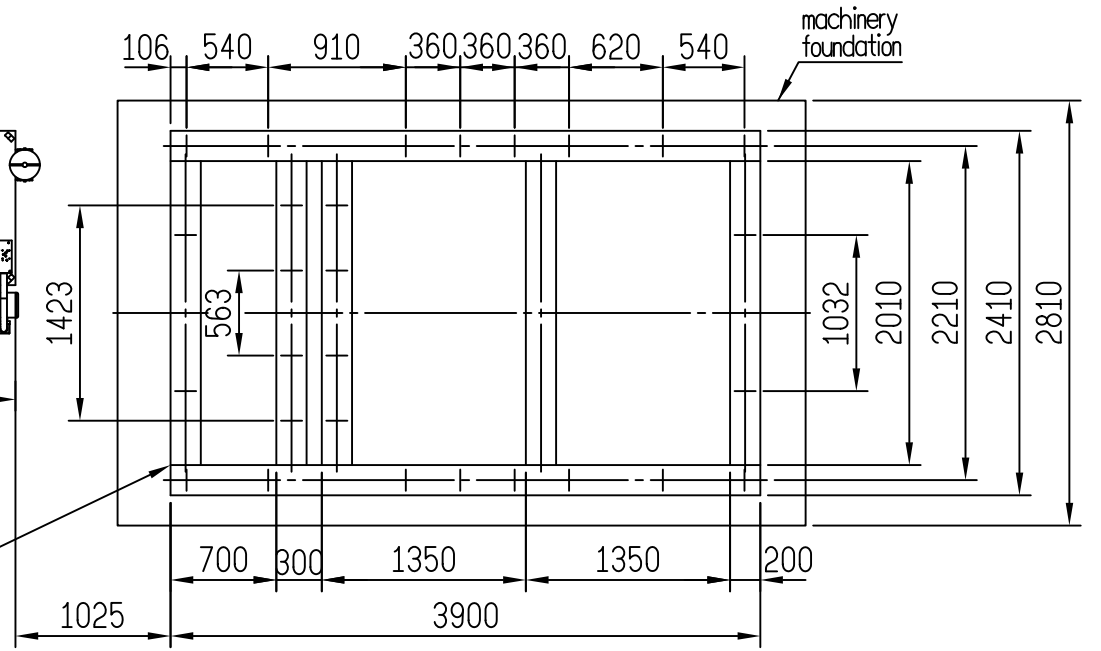
Note<02>:Use the concrete iron interlocked at random.
Attention:Weld the other end to the H-beam iron.



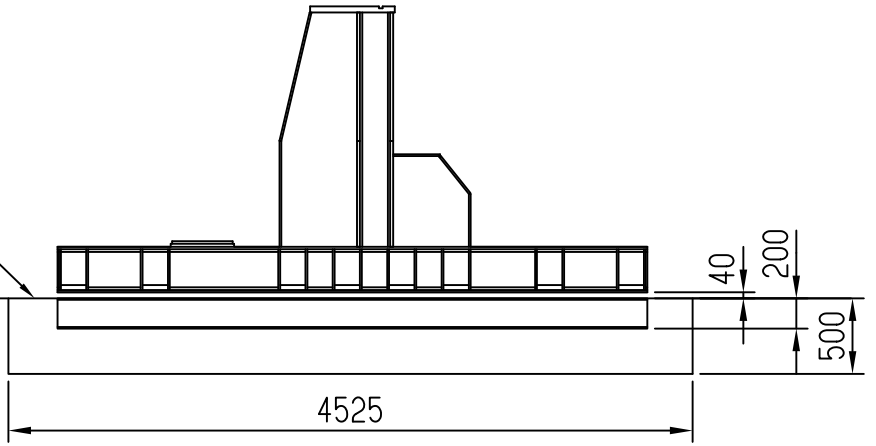
Occupied area of oil tank



Occupied area of mechanical base outline



floor



<02>Heel blocks of foundation screws will be provided by ZITAI and welded by our operators.
Note:<01>Usage of fixed platen and ejector platen

| | |
|---------------|------------------------|
| Applied sect. | Machinery installation |
| No. | JOWPDEA150 |