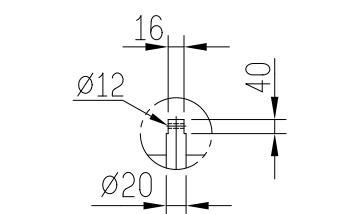
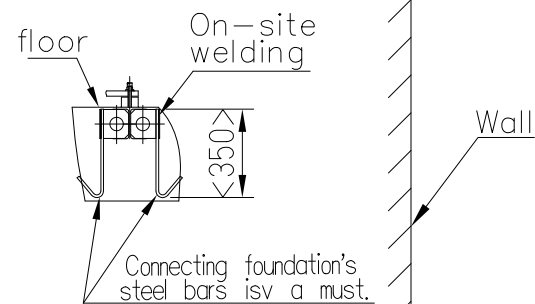
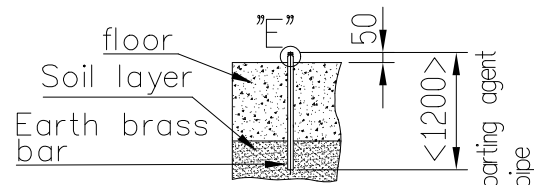
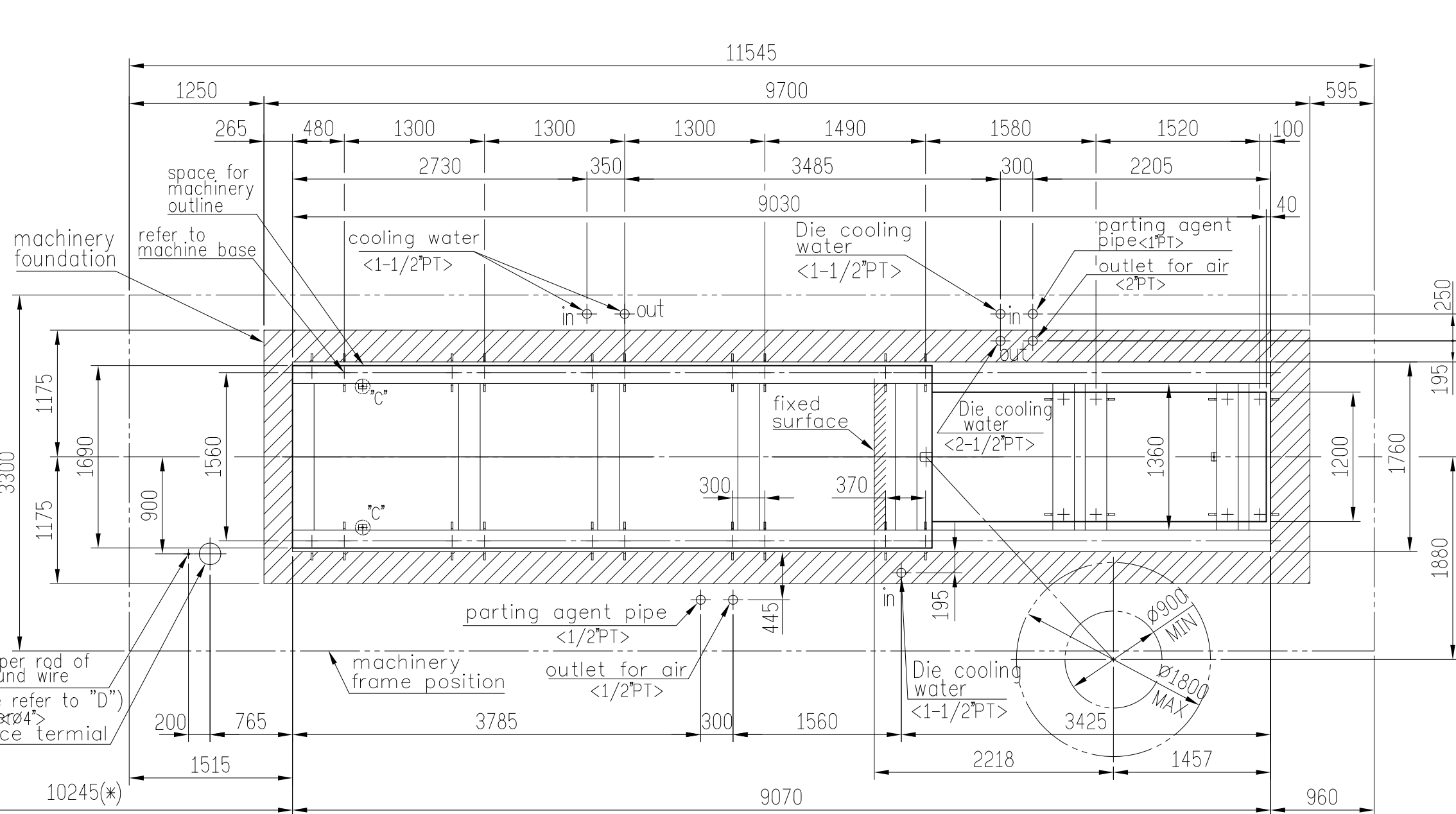


"C" detailed drawings can be found in 3 areas.
 <Horizontal adjustment for H-shape beam>



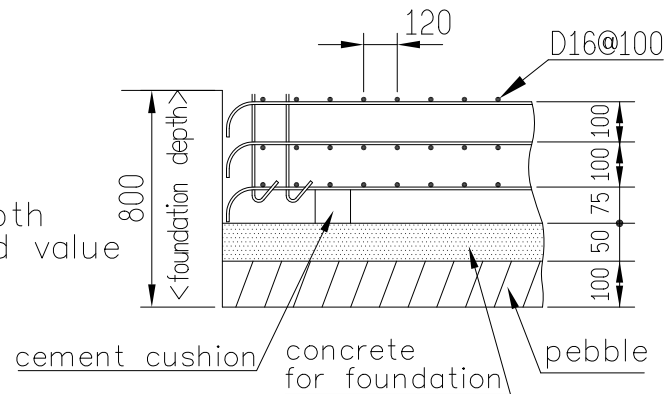
"E" Detailed diagram

*There cannot be any fixed interference in the area of tie bar pulling out

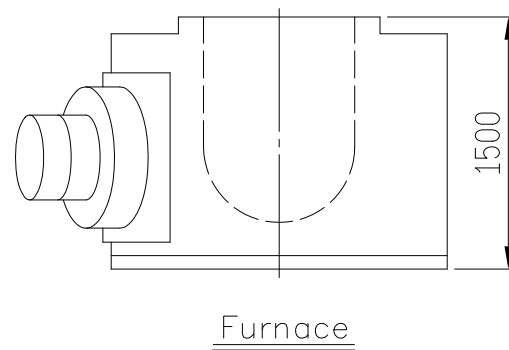


Resistance value of copper depth can reach 10ohm and standard value is 2.5ohm

"D" Detailed diagram

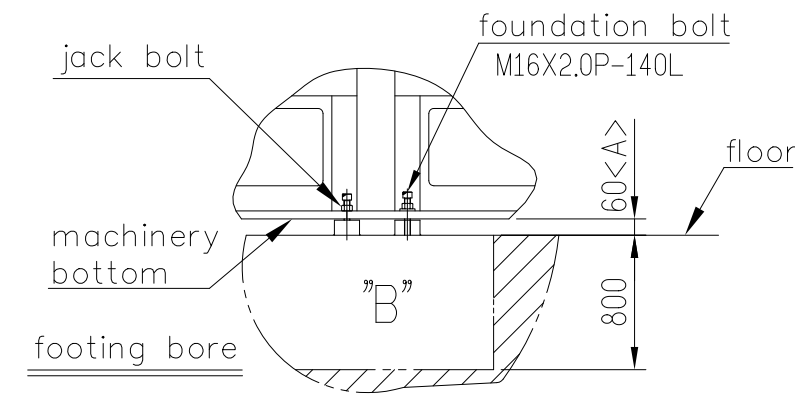


"B" Detailed diagram



Furnace

<If there is any change on the dimension, also please change A relatively.>



- Remark:
- <01>.Fasten rebar by steel wire & put H beam on top of it , ensure its levelling by level gauge.
 - <02>.Cast H beam into concrete base , careful not to shift it during liquid concrete pouring.
 - <03>.Foundation H beam specs:200X200.
 - <04>.Mixing ratio of concrete : cement/sand/gravel/ : 1: 2: 3.



鋁台精機廠股份有限公司
 ZITAI-PRECISION MACHINERY CO., LTD

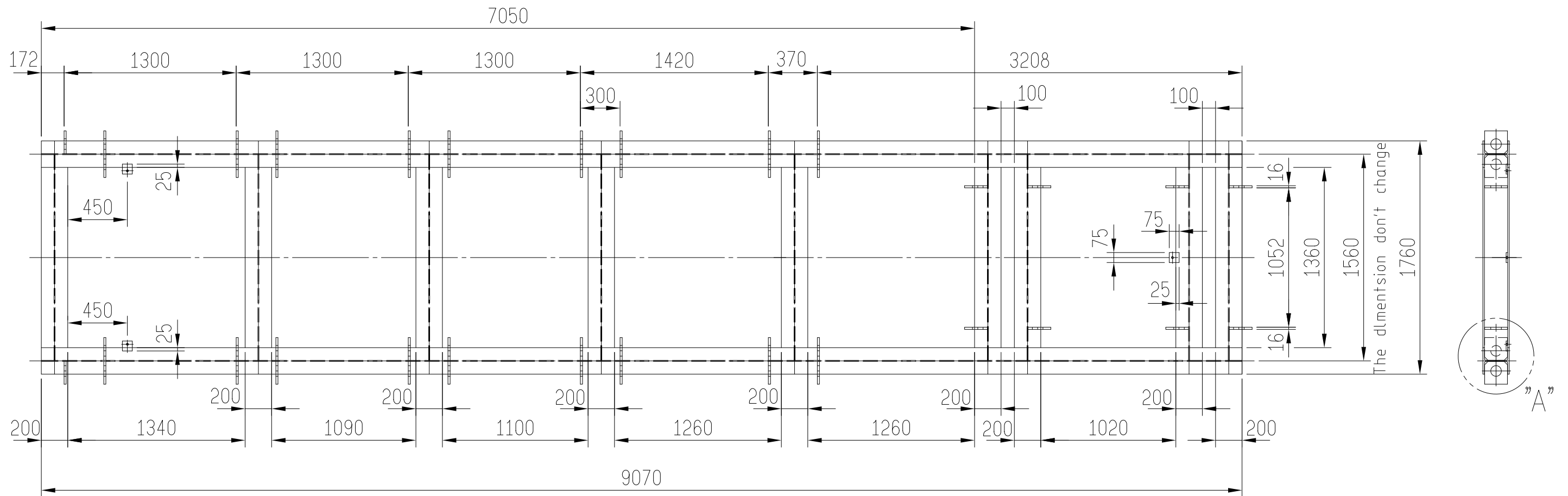
MODEL ZDC-1250T

No.

J1CPDEA151

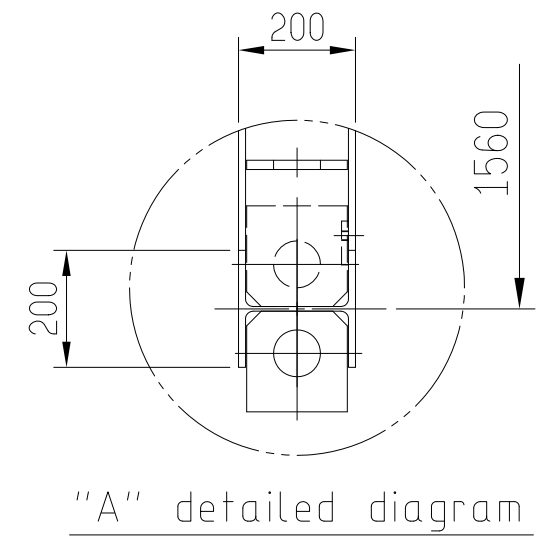
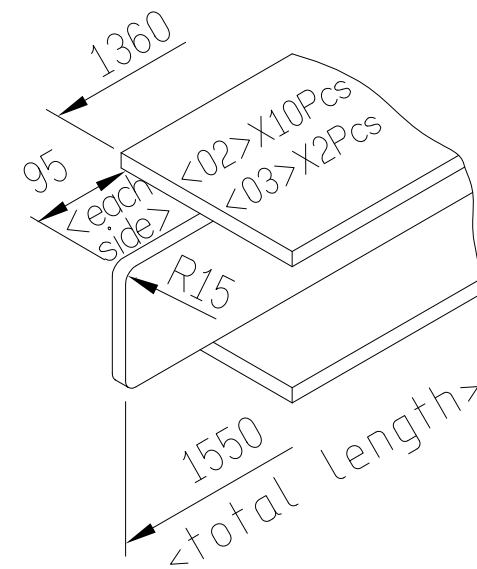
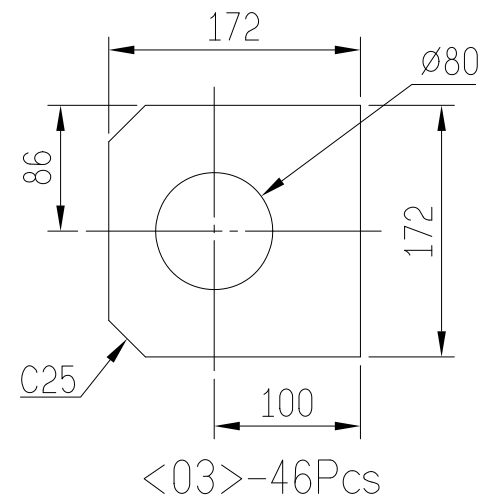
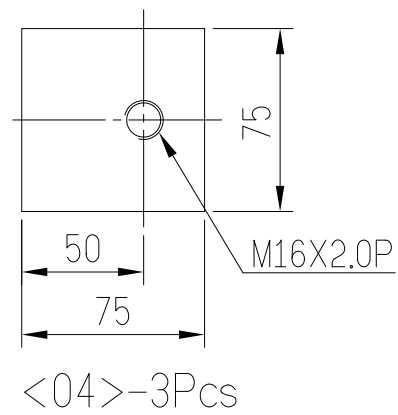
Applied sect

Machinery installation



Material:

- <01> 200X200 H-steelX9070LX2Pcs
- <02> 200X200 H-steelX1550LX9Pcs
- <03> 16mm thickX172X172-46Pcs
- <04> 12mm thickX75X75-3Pcs



Remark:<01>If H-steel specification be change,that 1360L must be change.
 <Because dimension 1560L don't change>.