

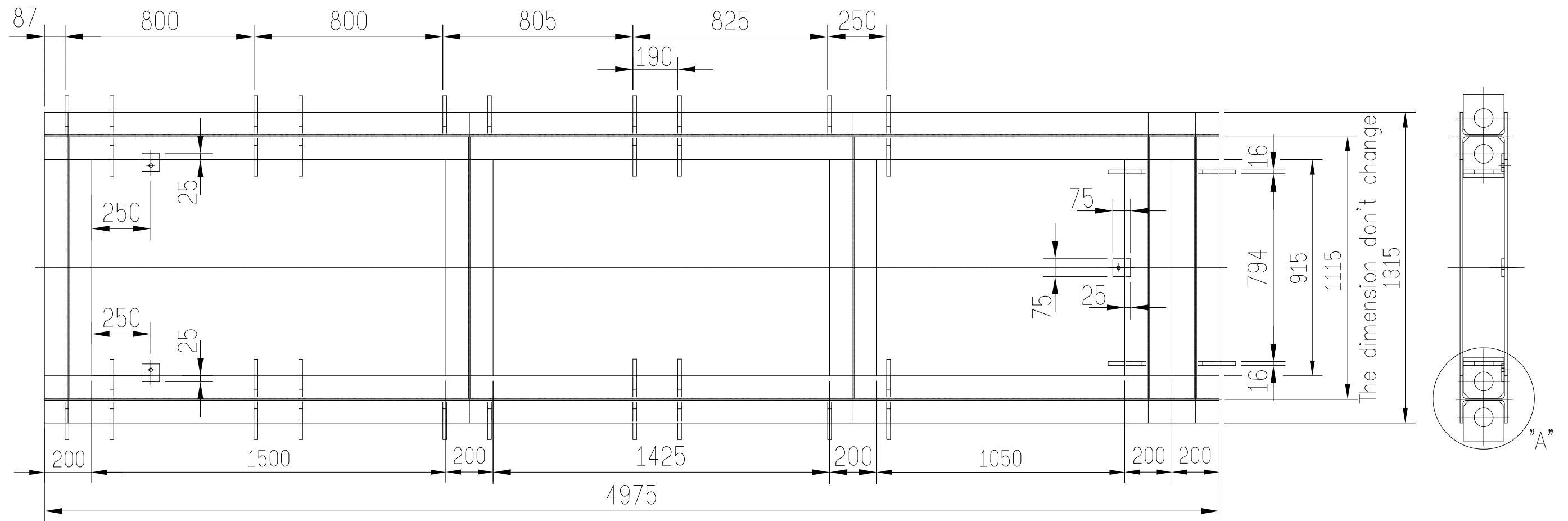
\*There cannot be any fixed interference in the area of tie bar pulling out

<If there is any change on the dimension, also please change A relatively.>

Remark:

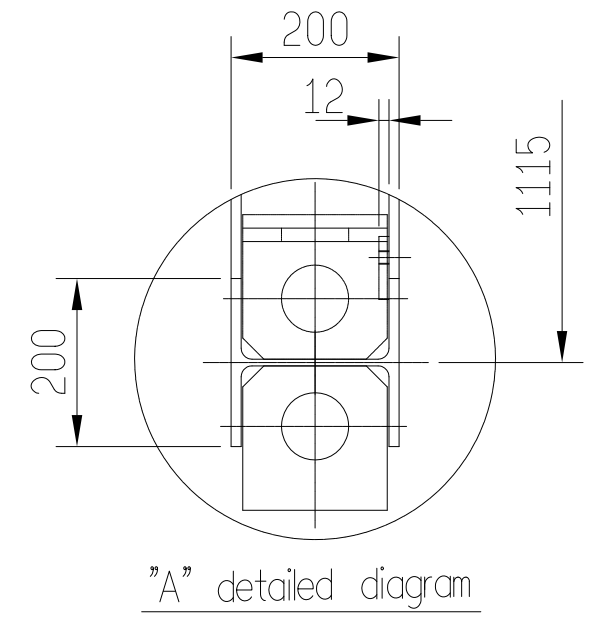
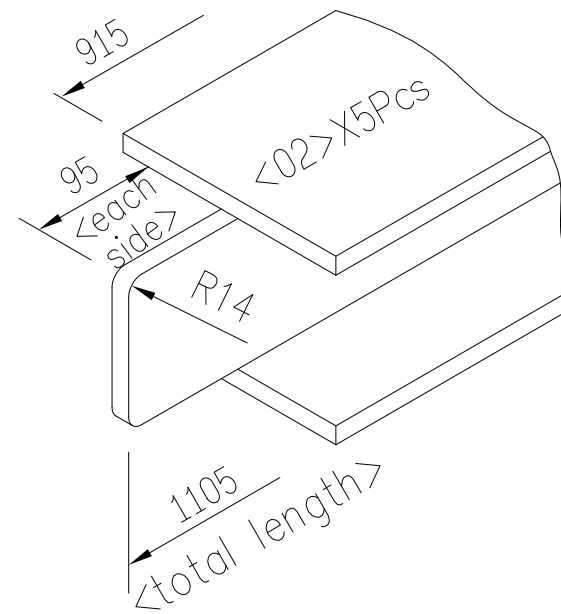
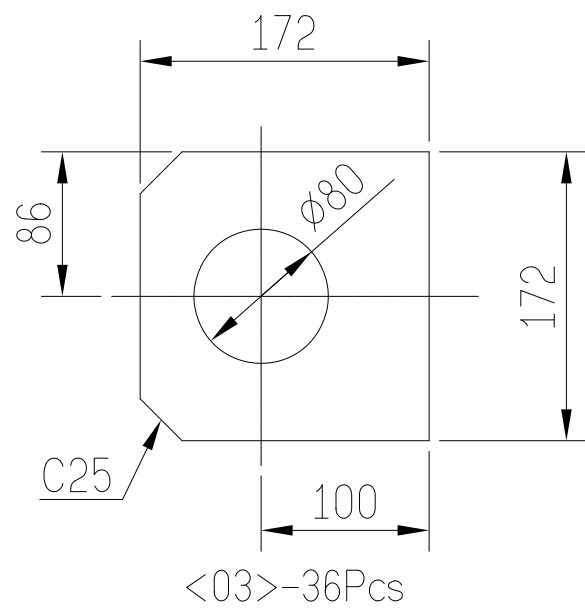
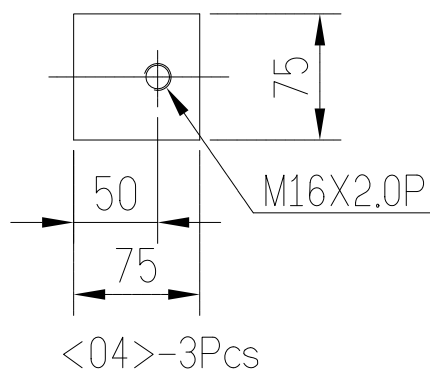
- <01>.Fasten rebar by steel wire & put H beam on top of it , ensure its levelling by level gauge.
- <02>.Cast H beam into concrete base , careful not to shift it during liquid concrete pouring.

- <03>.Foundation H beam specs: 200X200.
- <04>.Mixing ratio of concrete : cement/sand/gravel/ : 1: 2: 3.



Material:

- <01> 200X200 H-steelX4975LX2Pcs
- <02> 200X200 H-steelX1105X5Pcs
- <03> 16mm thickX172X172-36Pcs
- <04> 12mm thickX75X75-3Pcs



Remark: <01>If H-steel specification be change, that 915L must be change.  
 <Because dimension 1115L don't change>.