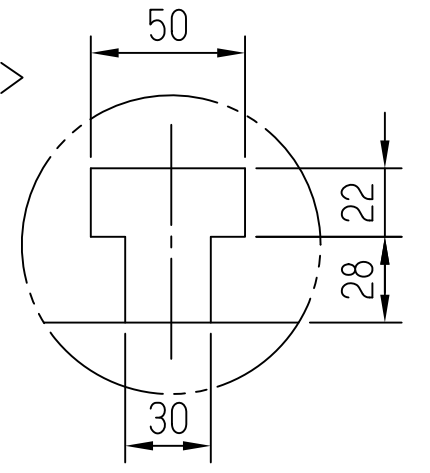
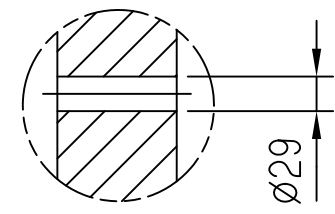


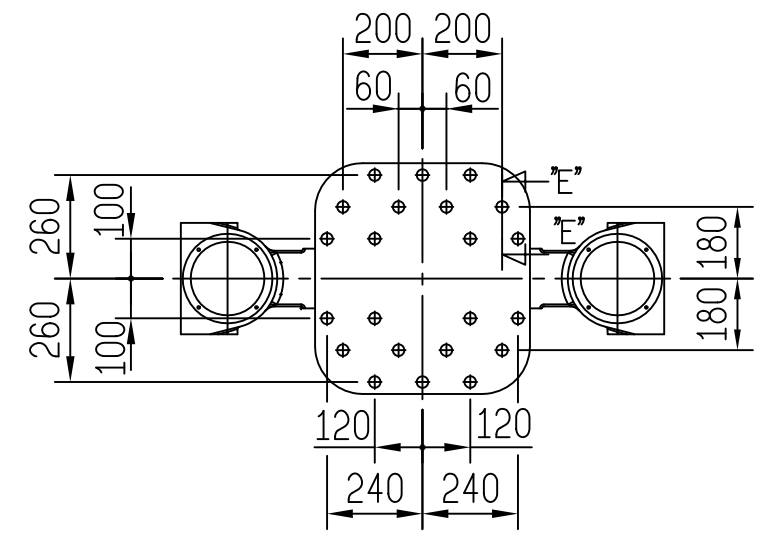
⊕ ∅38X22bore <For eject hole or Retract hole>



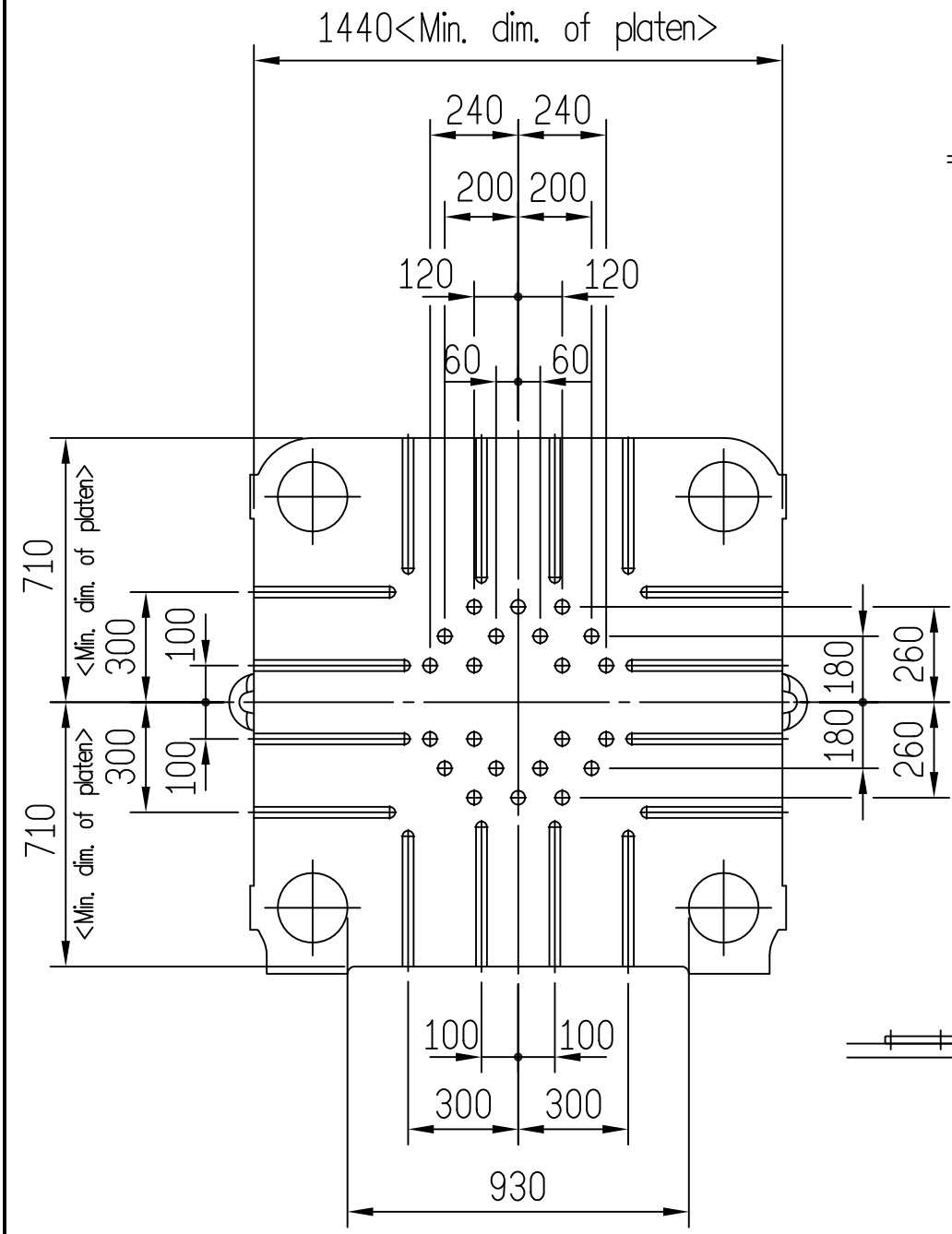
T-slot, "D" detailed diagram



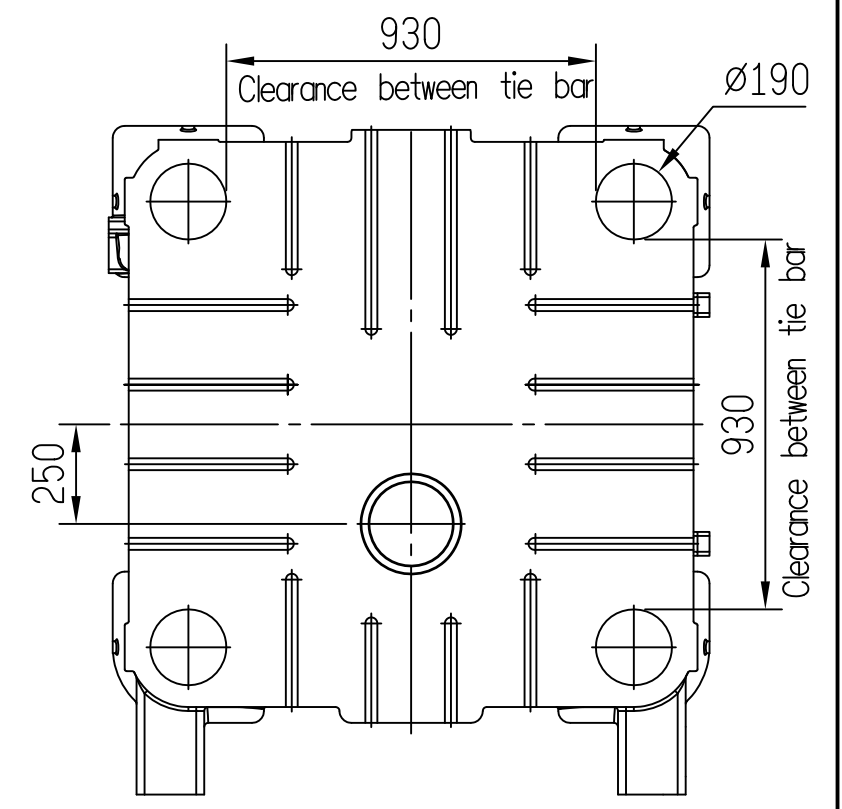
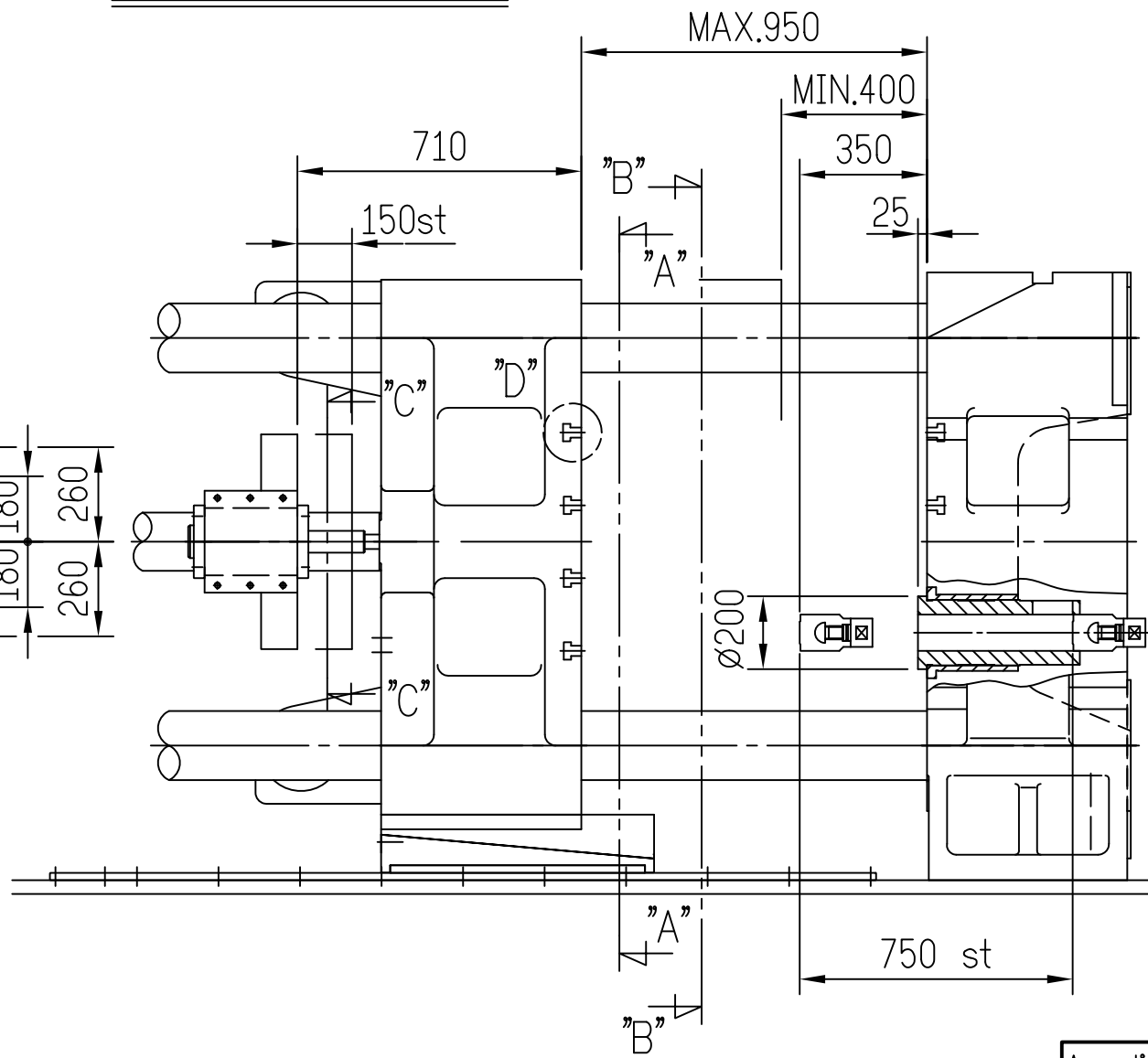
"E-E" Sectional area



Retract hole position "C-C" Sectional area



"A-A" Sectional area



"B-B" Sectional area

<02>Old generation-retracting hole is 30 pieces , new generation is 22 pieces that less 8 pieces compare to old one.
 Re:<01>Scale:1=28

Applied sect.	Die platen ejection drawing
No.	Q1CPDEA131