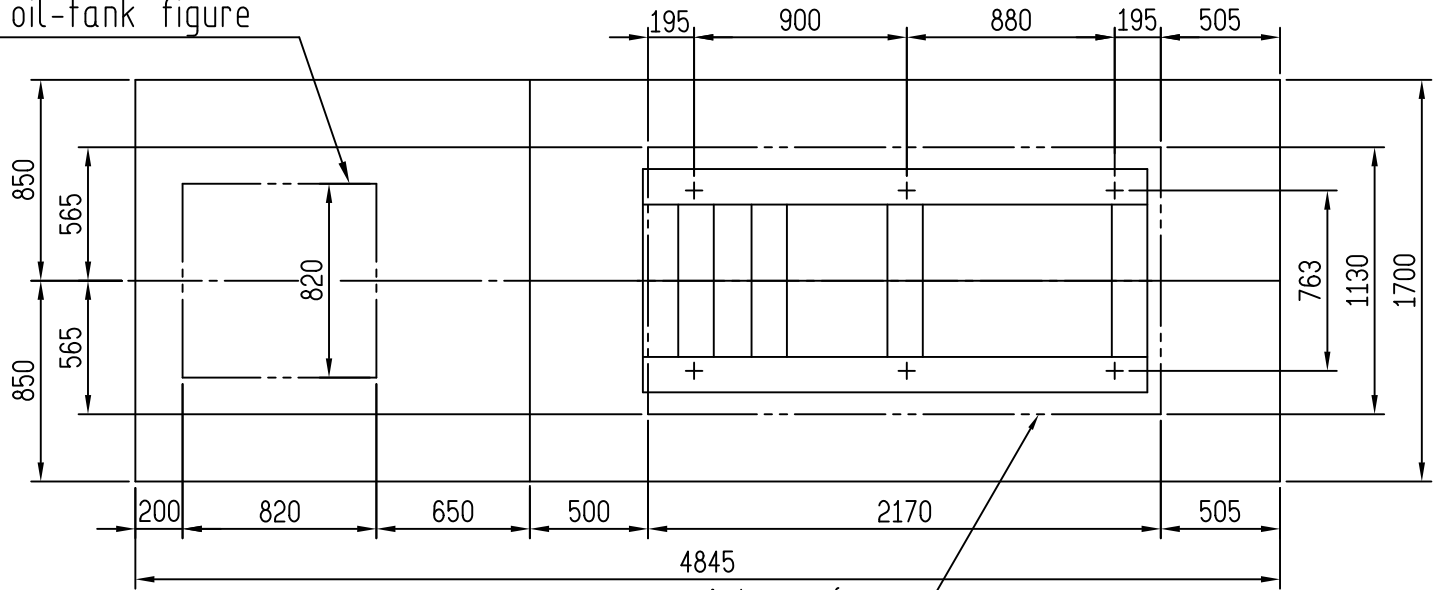
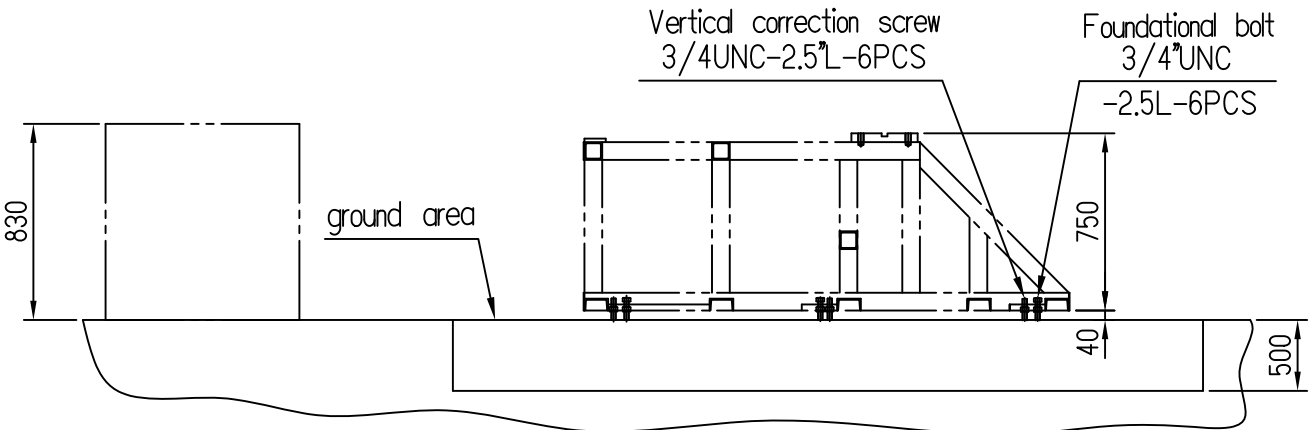
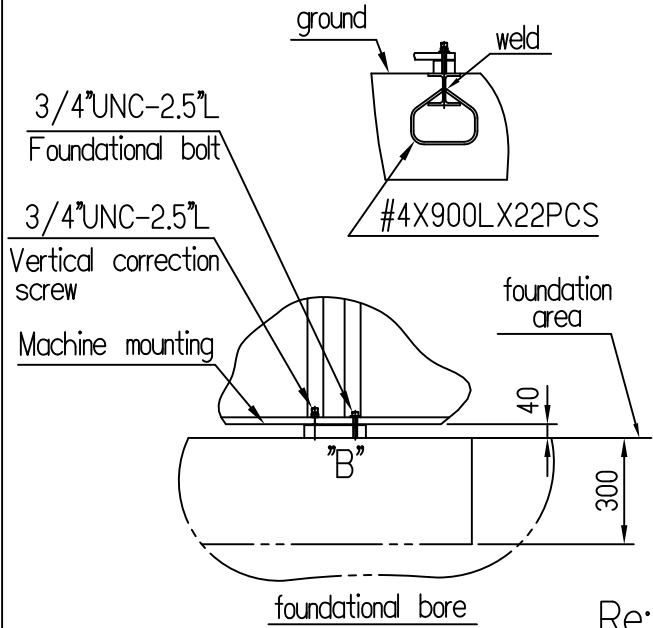


"B" View

occupied area for  
oil-tank figure



occupied area for  
machine mounting figure



Re:<01>Usage of fixed platen and ejection  
gravity machine foundation

Applied sect.	PMC-590 Machine installation
NO.	W5DEA151