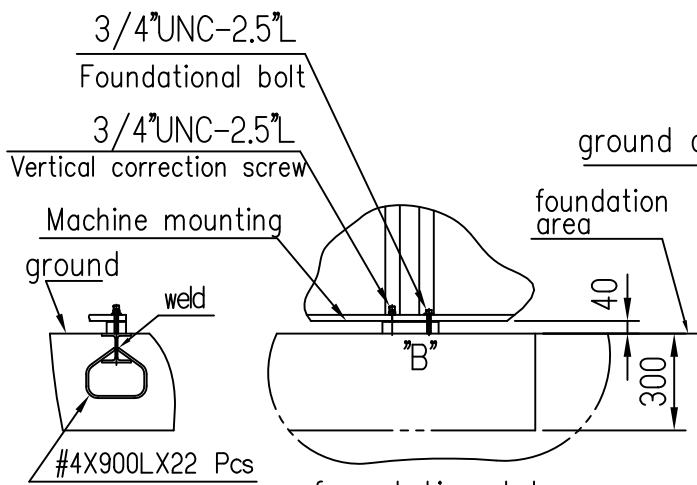
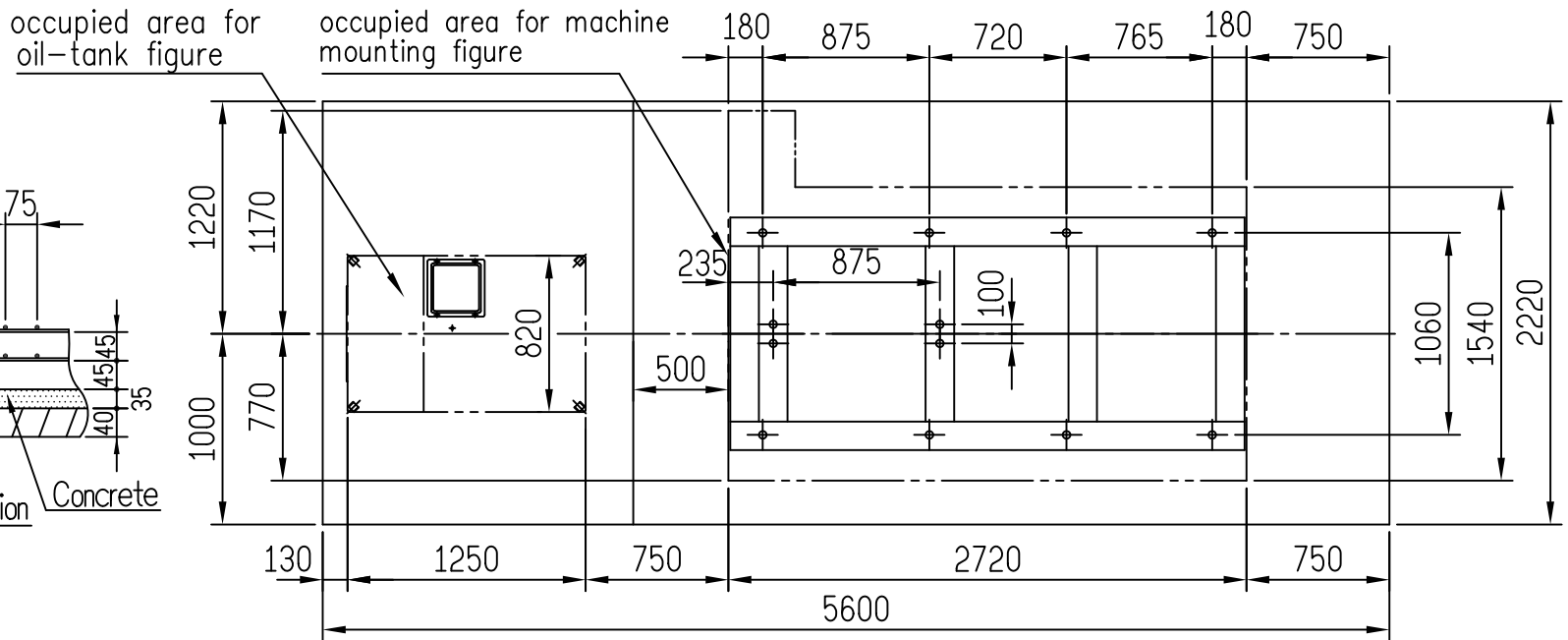
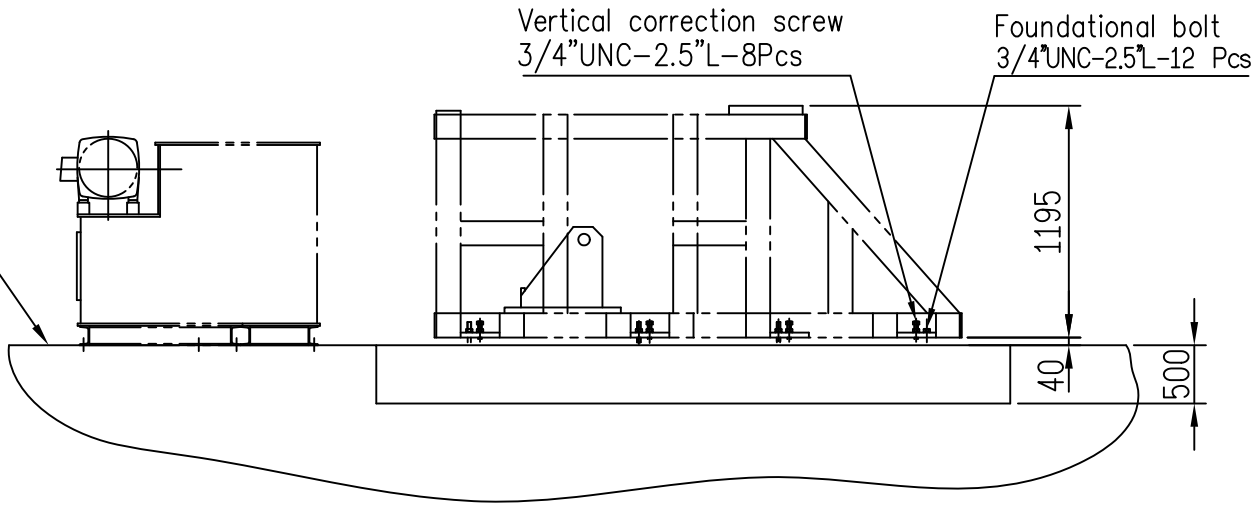


"B" View



foundational bore



Re:<01>Usage of fixed platen and ejection gravity machine foundation

Applied sect.	PMC-750 Machine installation
No.	W7DEA153