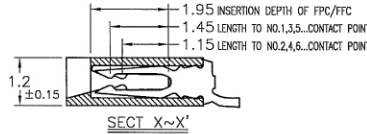
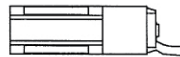
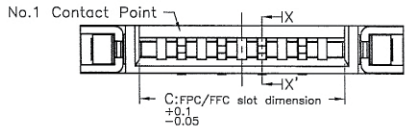
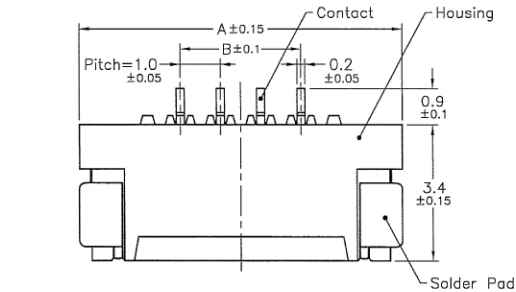


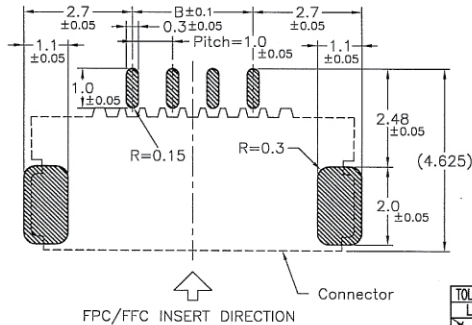
REV.	ECO NO.	DATE	SIGN	DESCRIPTION
C	960830-01	20070830	Ali	The modification parts diagram of the corpus is a solid line.
D	074902	20071123	Tommy	The Pitch-1.0mm Change 1.0mm
E	ECN092902	20090714	Lillian	增加電鍍GP

NOTE:

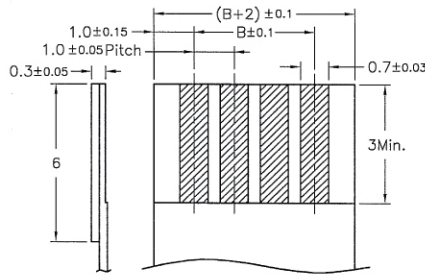
- MATERIAL:**
HOUSING:THERMOPLASTIC
CONTACTS:COPPER ALLOY
- PLATING:**
CONTACTS:SEE ORDERING INFORMATION
SOLDER PAD:TIN OVER NICKEL
- PART NO.:**
BL124-xx R-xx xx
 - ND-TIN OVER NICKEL(LEAD FREE)
 - 1G-1U" GOLD OVER NICKEL
 - 3G-3U" GOLD OVER NICKEL
 - GF-1U"~3U" GOLD OVER NICKEL
- RATING:**
OPERATING VOLTAGE:50V
CURRENT RATING:0.5A
OPERATING TEMPERATURE:-55°C ~ +85°C



PCB Layout



Applicable FPC



No. of Contacts	Part Number	DIM. A	DIM. B	DIM. C
4	BL124-04R	8.03	3	5.1
5	BL124-05R	9.03	4	6.1
6	BL124-06R	10.03	5	7.1
7	BL124-07R	11.03	6	8.1
8	BL124-08R	12.03	7	9.1
9	BL124-09R	13.03	8	10.1
10	BL124-10R	14.03	9	11.1
11	BL124-11R	15.03	10	12.1
12	BL124-12R	16.03	11	13.1
13	BL124-13R	17.03	12	14.1
14	BL124-14R	18.03	13	15.1
15	BL124-15R	19.03	14	16.1
16	BL124-16R	20.03	15	17.1
17	BL124-17R	21.03	16	18.1
18	BL124-18R	22.03	17	19.1
19	BL124-19R	23.03	18	20.1
20	BL124-20R	24.03	19	21.1
21	BL124-21R	25.03	20	22.1
22	BL124-22R	26.03	21	23.1
23	BL124-23R	27.03	22	24.1
24	BL124-24R	28.03	23	25.1

極機密圖面 嚴禁拷貝

TOLERANCE UNLESS SPECIFIED	SHEET 1/2	DR. BY 謝新波	MATERIAL See Note 1.
LINEAR	ANGLE	SCALE 8/1	CHK. BY 謝新波
XX XX	X XX	UNIT mm	FINISH See Note 2.
XXXXX	XX XX	APP. BY 謝新波	PART NO. See Note 3.

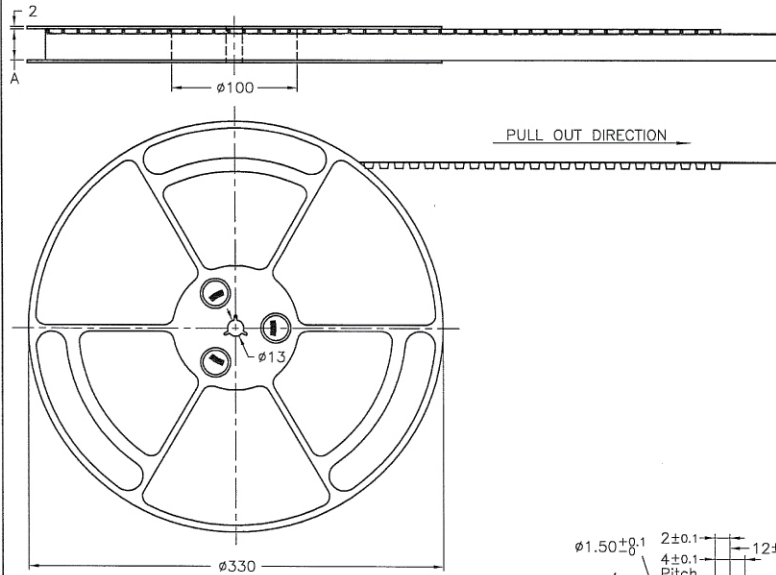


TITLE: 1.0mm Pitch FPC/FFC Connector
 DWG NO. BL124-xxR-xxxx
 REV. E

本產品不含有環境管理物質規定之有害物質

[MANAGEMENT REGULATIONS FOR THE RESTRICTIVELY-USED SUBSTANCES INCLUDED IN PARTS AND DEVICES]

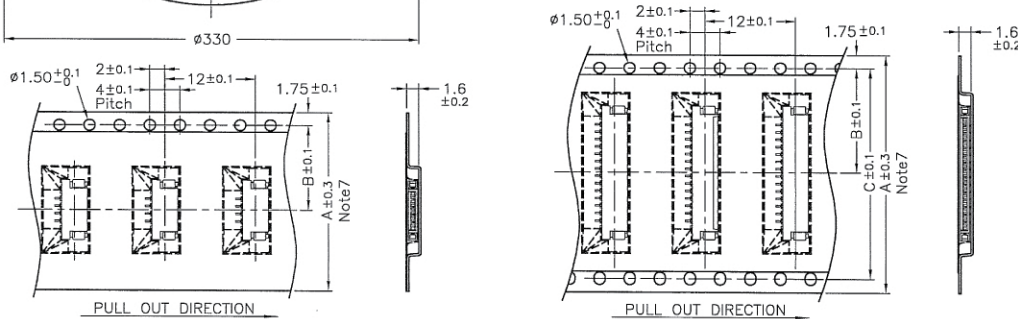
EMBOSSED TAPE PACKING BL124 SERIES RIGHT ANGLE TYPE



Note:

1. 10 sprocket hole pitch cumulative tolerance ± 0.2 .
2. Carrier camber is within 1 mm in 250mm.
3. Material : Black Conductive Polystyrene Alloy.
4. All dimensions meet EIA-481-B requirements.
5. Thickness : 0.3 ± 0.05 mm.
6. Component load per 13" reel : 3000 pcs.
7. For tape width (dimension A) 16mm and 24mm a pilot hole is provided on one side. For tape width (dimension A) 32mm and 44mm pilot holes are provided on both sides.

極機密圖面 嚴禁拷貝



Note 7				
No. of Contacts	Part Number	DIM. A	DIM. B	DIM. C
04	BL124-04R-TAxx	24	11.5	—
08	BL124-08R-TAxx			
09	BL124-09R-TAxx	32	14.2	28.4
14	BL124-14R-TAxx			
15	BL124-15R-TAxx	44	20.2	40.4
24	BL124-24R-TAxx			

TOLERANCE UNLESS SPECIFIED		SHEET 2/2	DR. BY 劉利明	MATERIAL See Note 3.
LINEAR	ANGLE	SCALE	CHK. BY 游嘉浩	FINISH
X XX	X XX	UNIT mm	APP. BY 游嘉浩	PART NO.
XX XX	X XX			
XXXX	XX XX			



TITLE 1.0mm Pitch FPC/FFC Connector
 DWG NO. BL124-xxR-xxxx REV. E

本產品不含有環境管理物質規定之有害物質

[MANAGEMENT REGULATIONS FOR THE RESTRICTIVELY-USED SUBSTANCES INCLUDED IN PARTS AND DEVICES]