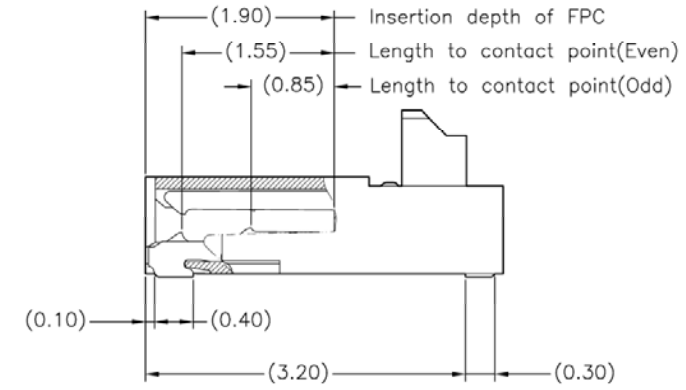
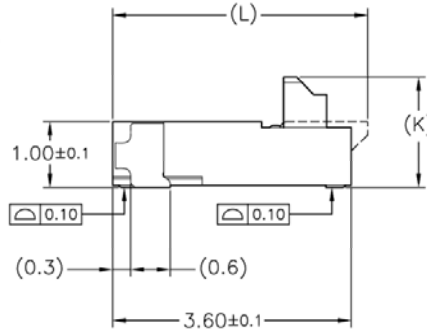
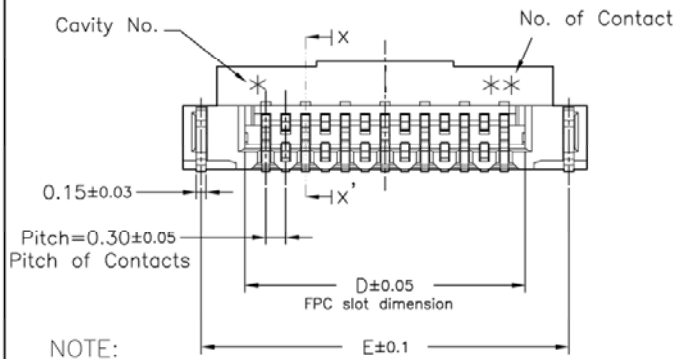
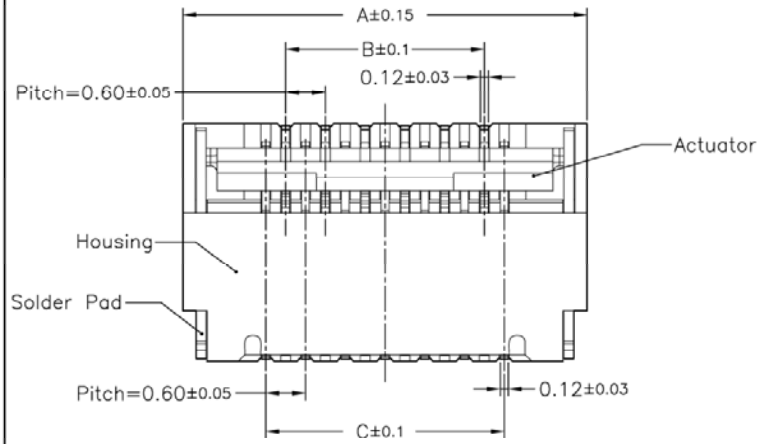


REV.	ECO NO.	DATE	SIGN	DESCRIPTION
D	ECN100410	20100419	Eason	1.Distributed produce into three sheets 1/1,2/1,3/1 2.Create carton drawing
F	FCN100501	20100506	Eason	Modify drawing.
F	ECN100604	20100610	Eason	Create plating "S"



SECT: x-x'  
SCALE 15:1

NOTE:

- 1.MATERIAL:  
HOUSING:LCP(UL 94V-0)  
ACTUATOR:LCP(UL 94V-0)  
TERMINAL:PHOSPHOR BRONZE  
STOPPER:PHOSPHOR BRONZE
- 2.PLATING:  
TERMINAL:SEE ORDERING INFORMATION  
STOPPER:TIN OVER NICKEL(LEAD FREE)

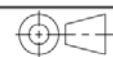
3.PART NO.:  
BL310-xx S 3 1 - TA H O

Halogen Free  
PACKAGE TA-EMBOSSSED TAPE  
Right angle(Dual contact type)  
Back flip type  
S: GOLD FLASH 1u"~3u"(Nickel Barrier)

- 4.RATING:  
NO. OF CONTACTS  
OPERATING VOLTAGE:30Vrms AC/DC  
CURRENT RATING:0.2A  
OPERATING TEMPERATURE:-55°C ~ +85°C

No. of Contacts	Part Number	DIM. A	DIM. B	DIM. C	DIM. D	DIM. E	DIM. K	DIM. L
09	BL310-09S31	4.9	1.8	2.4	3.03	4.35	1.7	3.8
11	BL310-11S31	5.5	2.4	3.0	3.63	4.95		
13	BL310-13S31	6.1	3.0	3.6	4.23	5.55		
15	BL310-15S31	6.7	3.6	4.2	4.83	6.15		
17	BL310-17S31	7.3	4.2	4.8	5.43	6.75		
19	BL310-19S31	7.9	4.8	5.4	6.03	7.35		
21	BL310-21S31	8.5	5.4	6.0	6.63	7.95		
23	BL310-23S31	9.1	6.0	6.6	7.23	8.55		
25	BL310-25S31	9.7	6.6	7.2	7.83	9.15		
27	BL310-27S31	10.3	7.2	7.8	8.43	9.75		
29	BL310-29S31	10.9	7.8	8.4	9.03	10.35		

TOLERANCE UNLESS SPECIFIED		SHEET 1/7	DR. BY Eason	MATERIAL SEE NOTE 1.
LINEAR	ANGLE	SCALE 10/1	CHK. BY Robbie	FINISH SEE NOTE 2.
.XX XX	.X' XX	UNIT mm	APP. BY Robbie	PART NO. SEE NOTE 3.
.XXXX	.XX' XX			

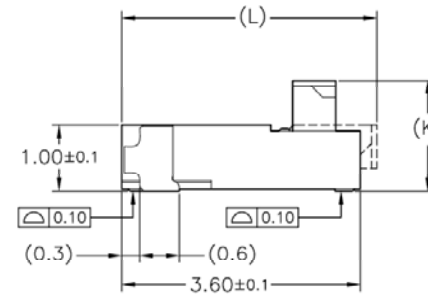
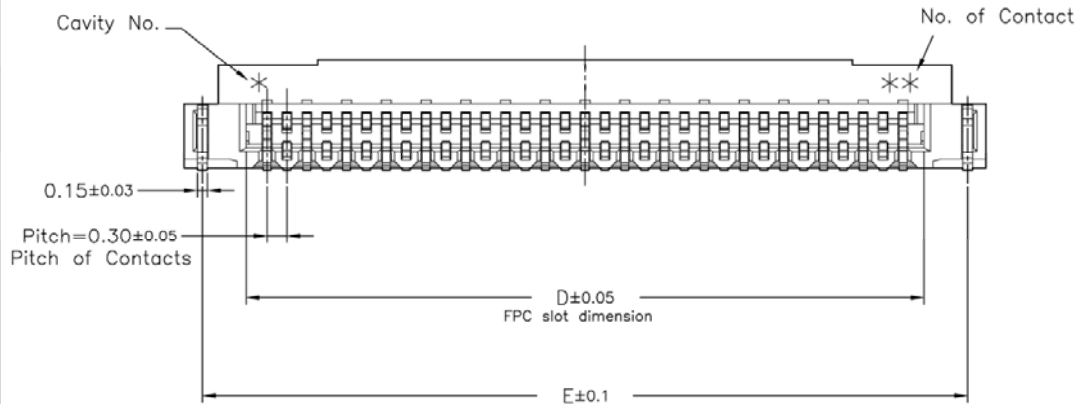
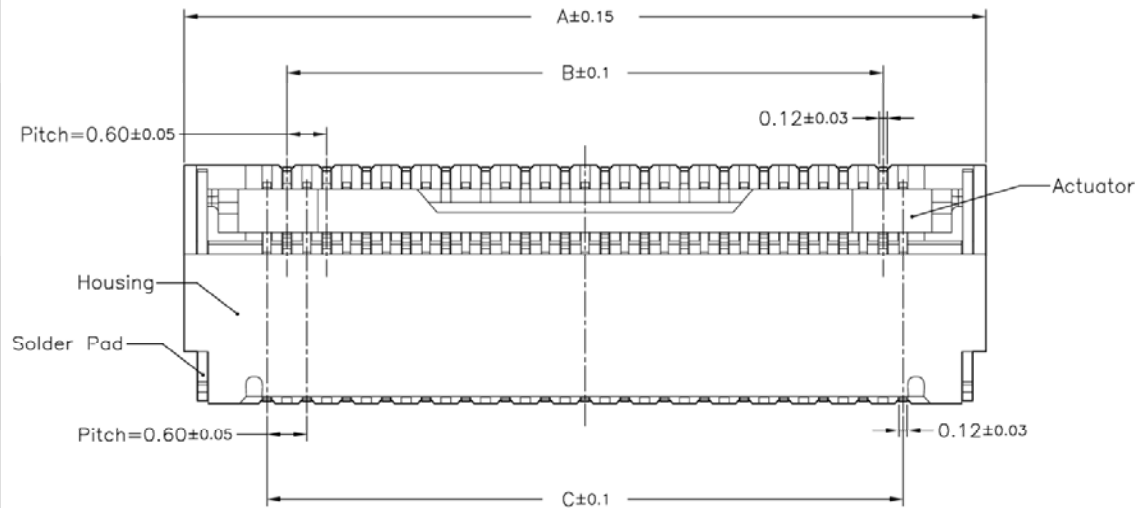


TITLE	0.3mm Pitch FPC Conn. (H=1.0)
DWG NO.	BL310-xxS31-TAHO

本部品不含有環境管理物質規定之有害物質

[MANAGEMENT REGULATIONS FOR THE RESTRICTIVELY-USED SUBSTANCES INCLUDED IN PARTS AND DEVICES]

REV.	ECO NO.	DATE	SIGN	DESCRIPTION
D	ECN100410	20100419	Eason	1.Distributed produce into three sheets 1/1,2/1,3/1 2.Create carton drawing
F	FCN100501	20100506	Eason	Modify drawing.
F	ECN100604	20100610	Eason	Create plating "S"



No. of Contacts	Part Number	DIM. A	DIM. B	DIM. C	DIM. D	DIM. E	DIM. K	DIM. L
31	BL310-31S31	11.5	8.4	9.0	9.63	10.95	1.7	3.8
33	BL310-33S31	12.1	9.0	9.6	10.23	11.55		
35	BL310-35S31	12.7	9.6	10.2	10.83	12.15		
37	BL310-37S31	13.3	10.2	10.8	11.43	12.75		
39	BL310-39S31	13.9	10.8	11.4	12.03	13.35		
41	BL310-41S31	14.5	11.4	12.0	12.63	13.95		
43	BL310-43S31	15.1	12.0	12.6	13.23	14.55		
45	BL310-45S31	15.7	12.6	13.2	13.83	15.15		
49	BL310-49S31	16.9	13.8	14.4	15.03	16.35		
51	BL310-51S31	17.5	14.4	15.0	15.63	16.95		

TOLERANCE UNLESS SPECIFIED		SHEET 2/7	DR. BY Eason	MATERIAL SEE NOTE 1.
LINEAR	ANGLE	SCALE 10/1	CHK. BY Robbie	FINISH SEE NOTE 2.
.XX XX	.X° XX	UNIT mm	APP. BY Robbie	PART NO. SEE NOTE 3.
.XXX XX	.XX° XX			

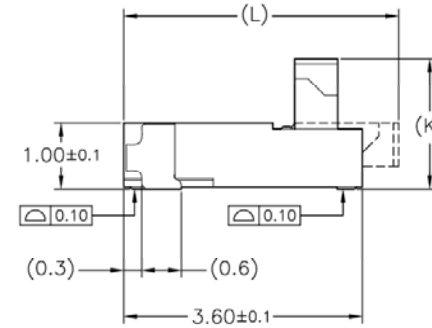
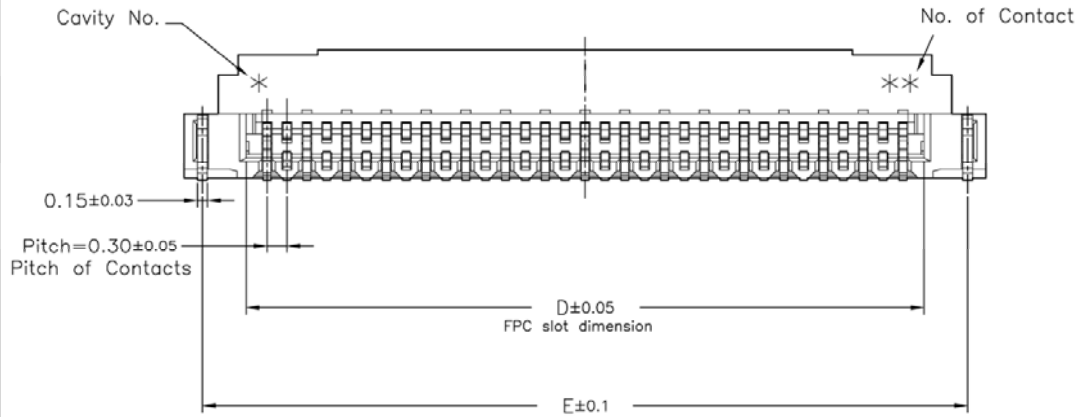
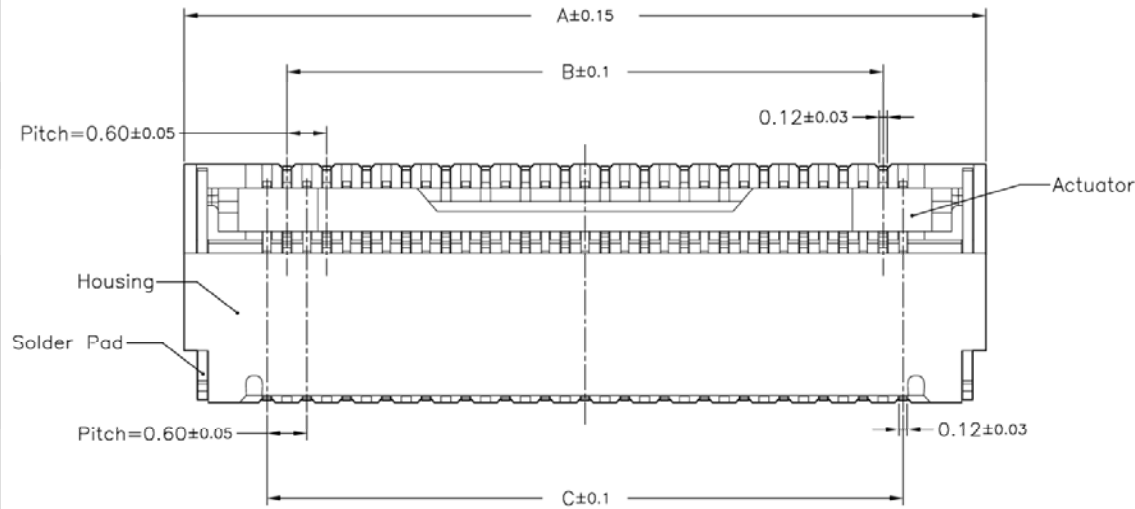


TITLE	0.3mm Pitch FPC Conn. (H=1.0)
DWG NO.	BL310-xxS31-TAHO

本部品不含有環境管理物質規定之有害物質

[MANAGEMENT REGULATIONS FOR THE RESTRICTIVELY-USED SUBSTANCES INCLUDED IN PARTS AND DEVICES]

REV.	ECO NO.	DATE	SIGN	DESCRIPTION
D	ECN100410	20100419	Eason	1.Distributed produce into three sheets 1/1,2/1,3/1 2.Create carton drawing
F	FCN100501	20100506	Eason	Modify drawing.
F	ECN100604	20100610	Eason	Create plating "S"



No. of Contacts	Part Number	DIM. A	DIM. B	DIM. C	DIM. D	DIM. E	DIM. K	DIM. L
57	BL310-57S31	19.3	16.2	16.8	17.43	18.75	2.0	4.1
61	BL310-61S31	20.5	17.4	18.0	18.63	19.95		
67	BL310-67S31	22.3	19.2	19.8	20.43	21.75		
71	BL310-71S31	23.5	20.4	21.0	21.63	22.95		

TOLERANCE UNLESS SPECIFIED		SHEET 3/7	DR. BY Eason	MATERIAL SEE NOTE 1.
LINEAR	ANGLE	SCALE 10/1	CHK. BY Robbie	FINISH SEE NOTE 2.
$\frac{XX}{XX}$	$\frac{X}{XX}$	UNIT mm	APP. BY Robbie	PART NO. SEE NOTE 3.
$\frac{.XX}{.XXXX}$	$\frac{.X}{.XX}$			



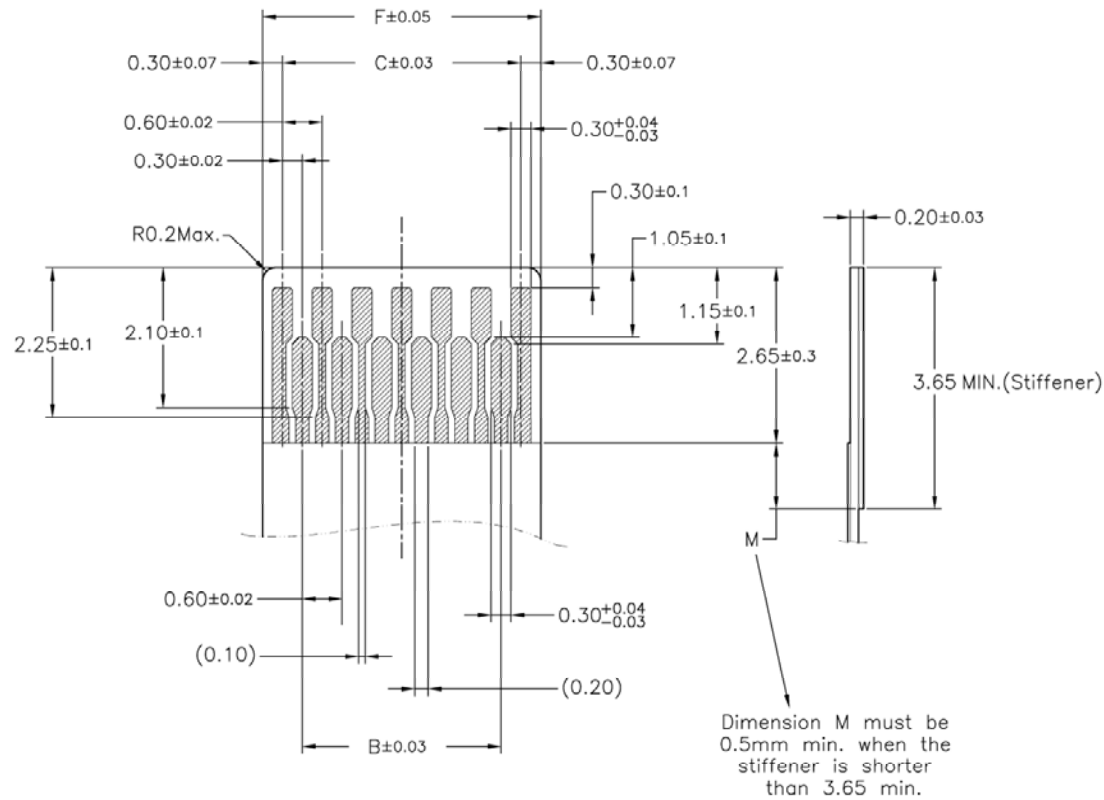
TITLE	0.3mm Pitch FPC Conn. (H=1.0)
DWG NO.	BL310-xxS31-TAHO

本部品不含有環境管理物質規定之有害物質

[MANAGEMENT REGULATIONS FOR THE RESTRICTIVELY-USED SUBSTANCES INCLUDED IN PARTS AND DEVICES]



REV.	ECO NO.	DATE	SIGN	DESCRIPTION
D	ECN100410	20100419	Eason	1.Distributed produce into three sheets 1/1,2/1,3/1 2.Creat carton drawing
F	FCN100501	20100506	Eason	Modify drawing.
F	ECN100604	20100610	Eason	Creat plating "S"



Applicable FPC

No. of Contacts	Part Number	DIM. B	DIM. C	DIM. F
09	BL310-09S31	1.8	2.4	3.0
11	BL310-11S31	2.4	3.0	3.6
13	BL310-13S31	3.0	3.6	4.2
15	BL310-15S31	3.6	4.2	4.8
17	BL310-17S31	4.2	4.8	5.4
19	BL310-19S31	4.8	5.4	6.0
21	BL310-21S31	5.4	6.0	6.6
23	BL310-23S31	6.0	6.6	7.2
25	BL310-25S31	6.6	7.2	7.8
27	BL310-27S31	7.2	7.8	8.4
29	BL310-29S31	7.8	8.4	9.0
31	BL310-31S31	8.4	9.0	9.6
33	BL310-33S31	9.0	9.6	10.2
35	BL310-35S31	9.6	10.2	10.8
37	BL310-37S31	10.2	10.8	11.4
39	BL310-39S31	10.8	11.4	12.0
41	BL310-41S31	11.4	12.0	12.6
43	BL310-43S31	12.0	12.6	13.2
45	BL310-45S31	12.6	13.2	13.8
49	BL310-49S31	13.8	14.4	15.0
51	BL310-51S31	14.4	15.0	15.6
57	BL310-57S31	16.2	16.8	17.4
61	BL310-61S31	17.4	18.0	18.6
67	BL310-67S31	19.2	19.8	20.4
71	BL310-71S31	20.4	21.0	21.6

TOLERANCE UNLESS SPECIFIED		SHEET 5/7	DR. BY Eason	MATERIAL
LINEAR	ANGLE			
<del>XX</del>	<del>X° XX</del>	SCALE 10/1	CHK. BY Robbie	FINISH
<del>.XX XX</del>	<del>.X° XX</del>	UNIT mm	APP. BY Robbie	PART NO.
<del>.XXXXX</del>	<del>.XX° XX</del>			



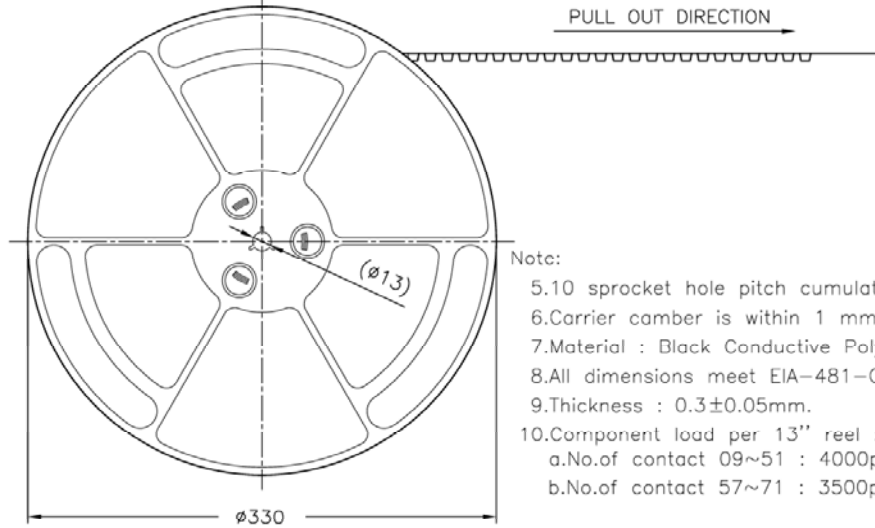
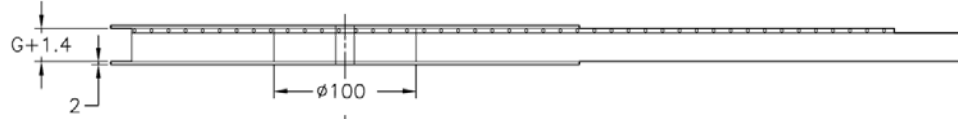
TITLE	0.3mm Pitch FPC Conn. (H=1.0)
DWG NO.	BL310-xxS31-TAHO

本產品不含有環境管理物質規定之有害物質

[MANAGEMENT REGULATIONS FOR THE RESTRICTIVELY-USED SUBSTANCES INCLUDED IN PARTS AND DEVICES]

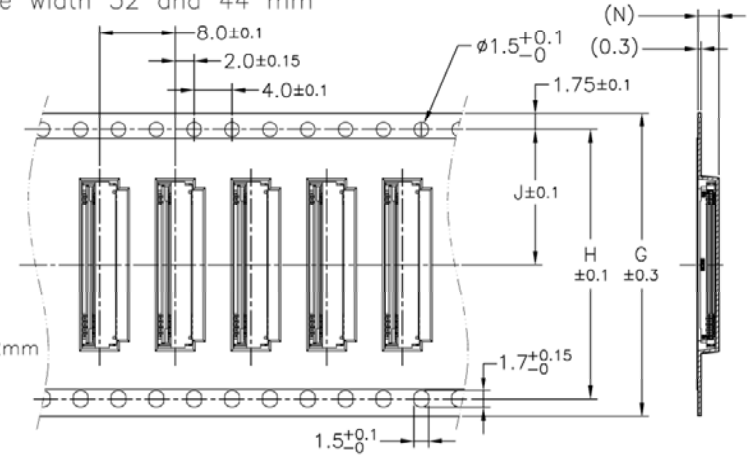
# EMBOSSED TAPE PACKING BL310 SERIES

REV.	ECO NO.	DATE	SIGN	DESCRIPTION
D	ECN100410	20100419	Eason	1.Distributed produce into three sheets 1/1,2/1,3/1 2.Create carton drawing
F	FCN100501	20100506	Eason	Modify drawing.
F	ECN100604	20100610	Eason	Create plating "S"

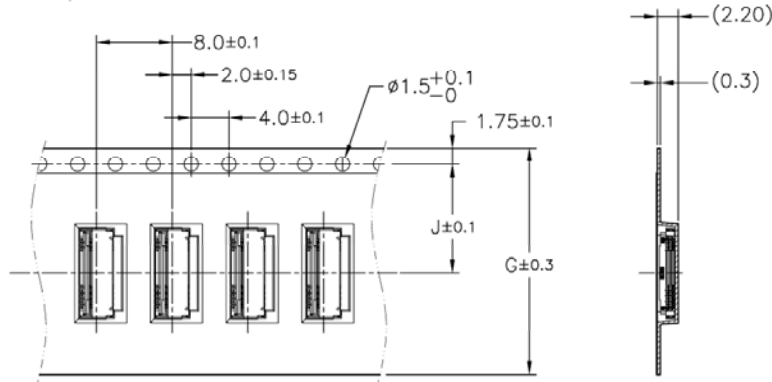


- Note:
- 5.10 sprocket hole pitch cumulative tolerance
  6. Carrier camber is within 1 mm in 250mm. ±0.2mm
  7. Material : Black Conductive Polystyrene Alloy.
  8. All dimensions meet EIA-481-C requirements.
  9. Thickness : 0.3±0.05mm.
  10. Component load per 13" reel :
    - a.No.of contact 09~51 : 4000pcs.
    - b.No.of contact 57~71 : 3500pcs.

Tape width 32 and 44 mm



Tape width 12, 16 and 24 mm



No.of Contacts	Part Number	DIM. G	DIM. H	DIM. J	DIM. N
09	BL310-09S31	12	—	5.5	2.20
11	BL310-11S31				
13	BL310-13S31	16	—	7.5	
19	BL310-19S31				
21	BL310-21S31	24	—	11.5	
45	BL310-45S31				
49	BL310-49S31	32	28.4	14.2	2.50
51	BL310-51S31				
57	BL310-57S31	32	28.4	14.2	
67	BL310-67S31				
71	BL310-71S31	44	40.4	20.2	

TOLERANCE UNLESS SPECIFIED		SHEET 6/7	DR. BY Eason	MATERIAL
LINEAR	ANGLE			
XX XX	X° XX	SCALE	CHK. BY Robbie	FINISH
.XX XX	.X° XX	UNIT mm	APP. BY Robbie	PART NO.
.XXXXX	.XX° XX			

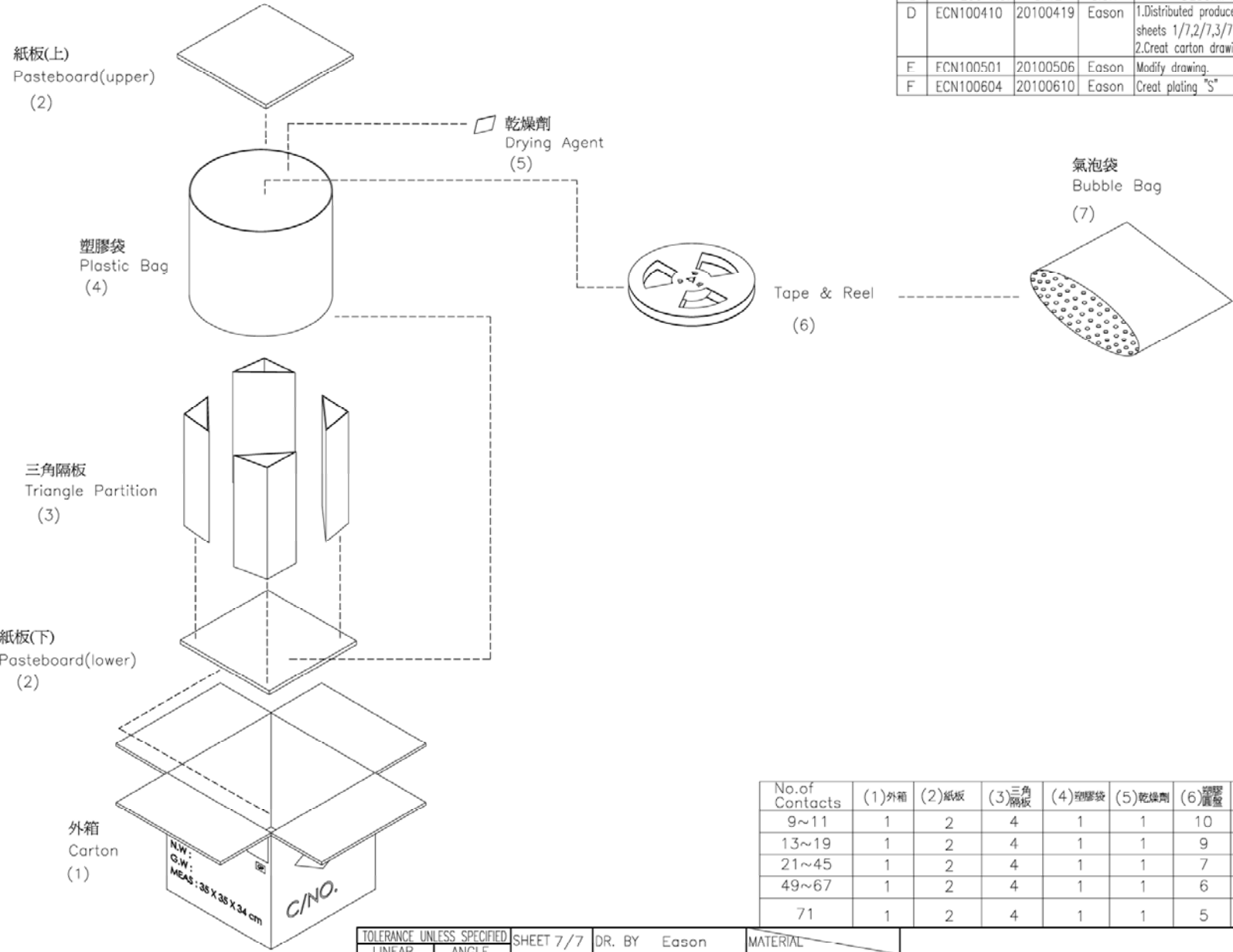


TITLE	0.3mm Pitch FPC Conn. (H=1.0)
DWG NO.	BL310-xxS31-TAHO

本產品不含有環境管理物質規定之有害物質

[MANAGEMENT REGULATIONS FOR THE RESTRICTIVELY-USED SUBSTANCES INCLUDED IN PARTS AND DEVICES]

REV.	ECO NO.	DATE	SIGN	DESCRIPTION
D	ECN100410	20100419	Eason	1.Distributed produce into three sheets 1/7,2/7,3/7 2.Create carton drawing
F	FCN100501	20100506	Eason	Modify drawing.
F	ECN100604	20100610	Eason	Create plating "S"



No. of Contacts	(1)外箱	(2)紙板	(3)三角隔板	(4)塑膠袋	(5)乾燥劑	(6)膠帶	(7)氣泡袋
9~11	1	2	4	1	1	10	10
13~19	1	2	4	1	1	9	9
21~45	1	2	4	1	1	7	7
49~67	1	2	4	1	1	6	6
71	1	2	4	1	1	5	5

TOLERANCE UNLESS SPECIFIED		SHEET 7/7	DR. BY Eason	MATERIAL
LINEAR	ANGLE	SCALE	CHK. BY Robbie	FINISH
.XX XX	° XX	UNIT mm	APP. BY Robbie	PART NO.
.XX XX	° XX			
.XXXX	° XX			



TITLE	0.3mm Pitch FPC Conn. (H=1.0)
DWG NO.	BL310-xxS31-TAHO

本部品不含有環境管理物質規定之有害物質

[MANAGEMENT REGULATIONS FOR THE RESTRICTIVELY-USED SUBSTANCES INCLUDED IN PARTS AND DEVICES]