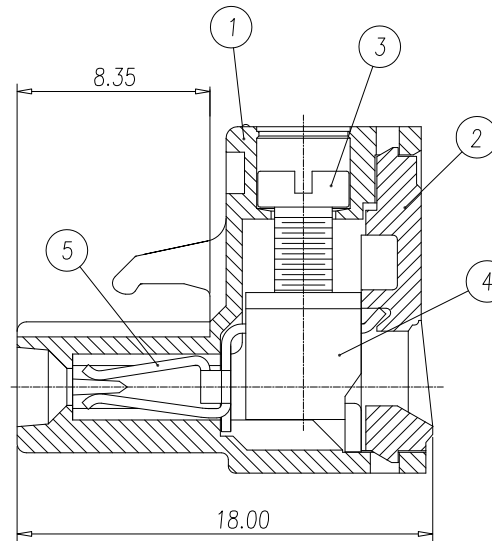


P	2	3	4	5	6	7	8	9	10	11	12	13
U	5.08	10.16	15.24	20.32	25.40	30.48	35.56	40.64	45.72	50.80	55.88	60.96
V	20.32	25.40	30.48	35.56	40.64	45.72	50.80	55.88	60.96	66.04	71.12	76.20
P	14	15	16	17	18	19	20	21	22	23	24	
U	66.04	71.12	76.20	81.28	86.36	91.44	96.52	101.60	106.68	111.76	116.84	
V	81.28	86.36	91.44	96.52	101.60	106.68	111.76	116.84	121.92	127.0	132.08	

NOTES:

- Rating: 300V 15A(IEC 250V 17.5A)
PITCH: 5.08mm
- Insulation Withstands Voltage:
AC 2000 V at 1 minute
- Insulation Resistance:
500MΩ or more at DC500V
- Using Temperature Range:
-40°C~+105°C
- Screw Torque Value: 5kgf-cm(MAX)
- Suitable Electric Wire:
AWG 28~12(0.5~2.5mm²)
- RoHS Compliance



5	CLAMP	COPPER ALLOY	Tin Plated
4	WIRE CAGE	STEEL	Zn Plated
3	SCREW	STEEL	M2.5 Zn Plated
2	END COVER	PA66	UL94-V0 GREEN
1	HOUSING	PA66	UL94-V0 GREEN
ITEM	NAME OF PART	MATERIAL	NOTES

Normal Geometric Tolerancing			
—	//	≡	⊥
0 to 100	0.2		0 to 10 0.2
over 100 to 150	0.3	0.3	over 10 0.3
over 150	0.5		
Total Pitch Tolerances		Normal dimension Tolerances	
0<U<=30	±0.20	0~30	±0.25
30<U<=53	±0.25	over 30~53	±0.30
53<U<=70	±0.30	over 53~70	±0.35
70<U<=90	±0.35	over 70~90	±0.44
90<U<=115	±0.44	over 90~115	±0.55
115<U<=150	±0.55	over 115~150	±0.70

DWG.	LWF	DATE	09.08.03	UNITS	MM	SHEET/OF	1 / 1
CHK.		DATE		SCALE	4:1 (:)		
APP.		DATE		NAME	2ESDVM-XXP		
REV.	CONTENT	CHK.	DATE	DINKLE ENTERPRISE CO.,LTD	DWG NO.	SP-03-2ESDVMPO	